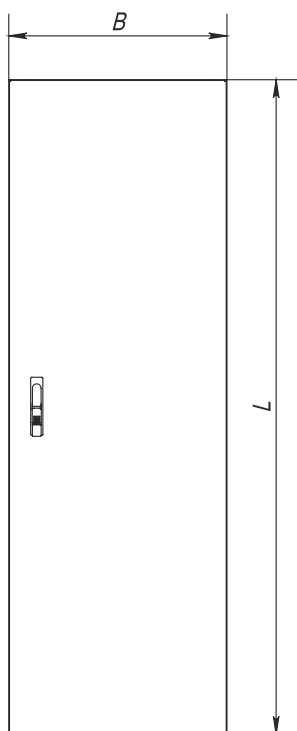
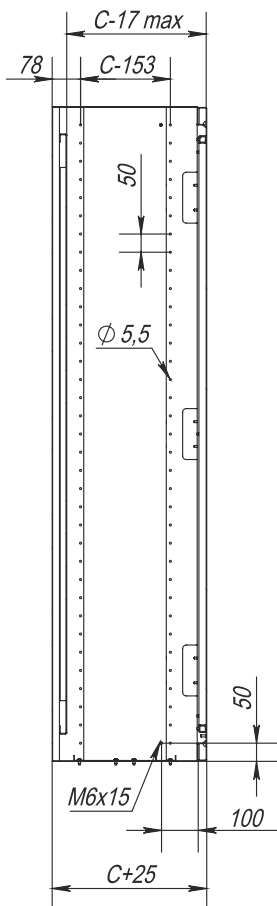


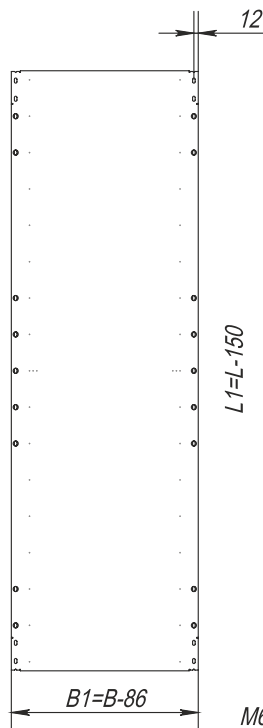
Front view



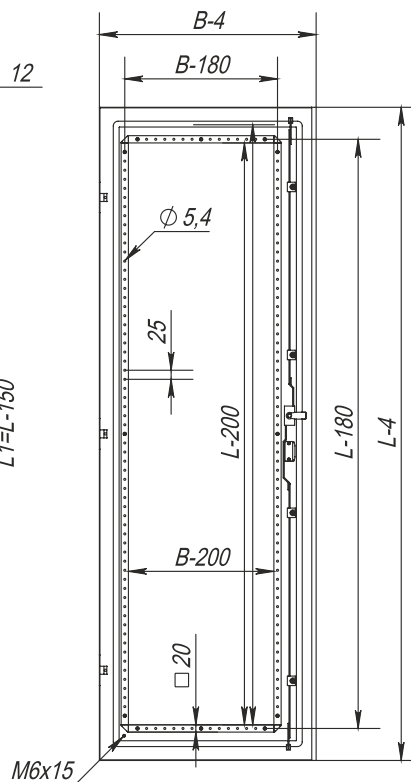
Left-side view, section



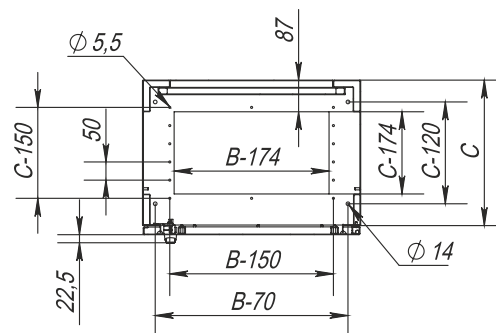
Mounting plate



Door, view from the inside



Top view, section (without the top panel)



Dimensions (Enclosure)			Dimensions (Mounting plate)		Useful Depth, mm	Weight, kg	Order No.
Height L, mm	Width B, mm	Depth C, mm	Height L1, mm	Width B1, mm			
1400	600	400	1250	514	383	56	<b>XM66-1464</b>
1400	600	600	1250	514	583	66	<b>XM66-1466</b>
1400	800	400	1250	714	383	60	<b>XM66-1484</b>
1400	800	600	1250	714	583	70	<b>XM66-1486</b>
1600	600	400	1450	514	383	62	<b>XM66-1664</b>
1600	600	600	1450	514	583	72	<b>XM66-1666</b>
1600	800	400	1450	714	383	69	<b>XM66-1684</b>
1600	800	600	1450	714	583	79	<b>XM66-1686</b>
1800	600	400	1650	514	383	68	<b>XM66-1864</b>
1800	600	600	1650	514	583	78	<b>XM66-1866</b>
1800	800	400	1650	714	383	78	<b>XM66-1884</b>
1800	800	600	1650	714	583	88	<b>XM66-1886</b>
2000	600	400	1850	514	383	74	<b>XM66-2064</b>
2000	600	600	1850	514	583	84	<b>XM66-2066</b>
2000	800	400	1850	714	383	87	<b>XM66-2084</b>
2000	800	600	1850	714	583	97	<b>XM66-2086</b>