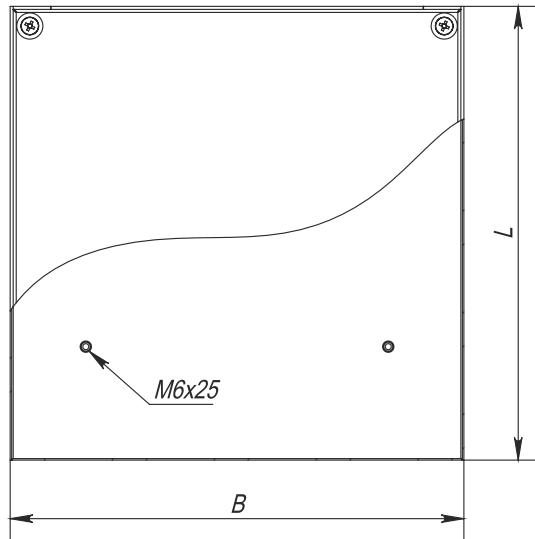
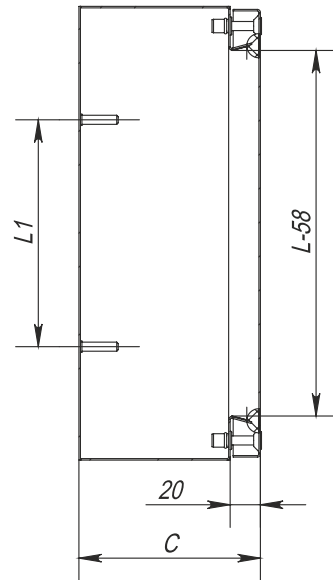


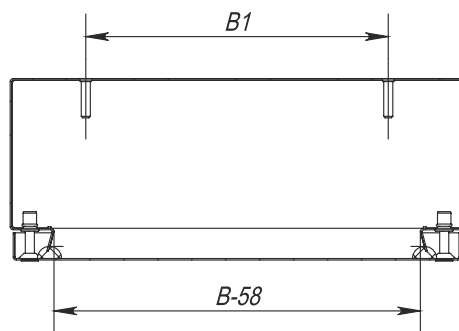
**Front view**



**Left-side view, section**



**Top view, section**



Dimensions (Gehäuse)			Useful Depth, mm	Weight, kg	Order No.	
Height L, mm	Width B, mm	Depth C, mm				
150	150	120	104	1,2	<b>S66-111</b>	<b>SS66-111</b>
150	200	120	104	1,6	<b>S66-121</b>	<b>SS66-121</b>
150	300	120	104	2,0	<b>S66-131</b>	<b>SS66-131</b>
200	200	120	104	1,6	<b>S66-221</b>	<b>SS66-221</b>
200	300	120	104	2,2	<b>S66-231</b>	<b>SS66-231</b>
200	400	120	104	2,8	<b>S66-241</b>	<b>SS66-241</b>
300	300	120	104	3,1	<b>S66-331</b>	<b>SS66-331</b>
300	400	120	104	3,9	<b>S66-341</b>	<b>SS66-341</b>
300	600	120	104	5,4	<b>S66-361</b>	<b>SS66-361</b>
400	400	120	104	4,9	<b>S66-441</b>	<b>SS66-441</b>
400	600	120	104	6,8	<b>S66-461</b>	<b>SS66-461</b>
400	800	120	104	8,6	<b>S66-481</b>	<b>SS66-481</b>