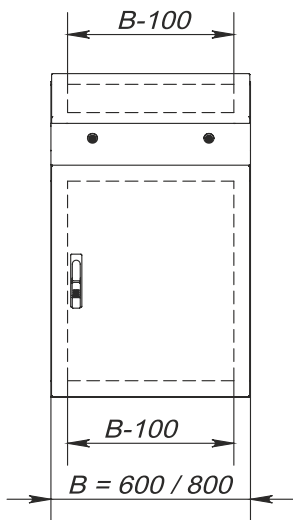
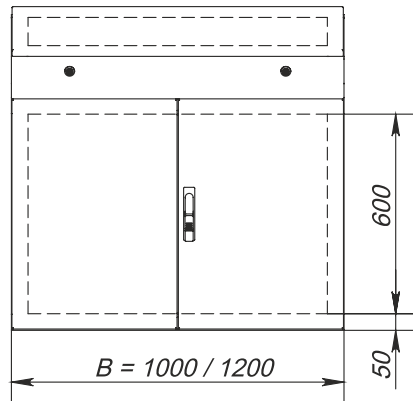


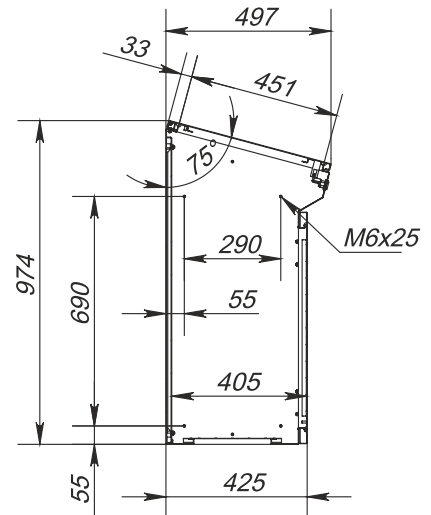
Front view  
1 door



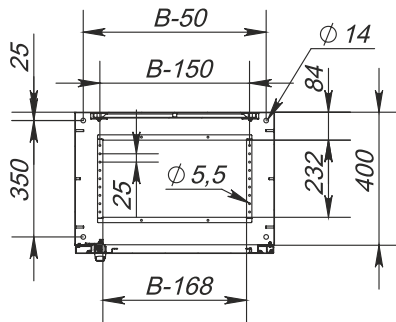
Front view  
2 doors



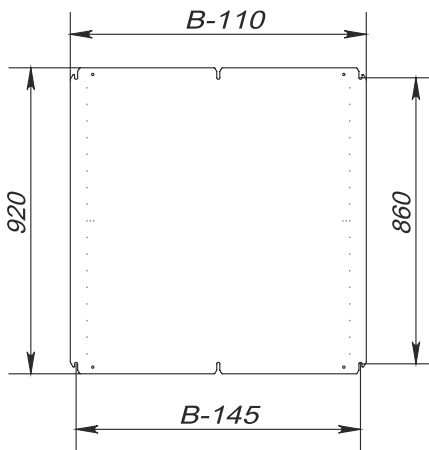
Left-side view, section



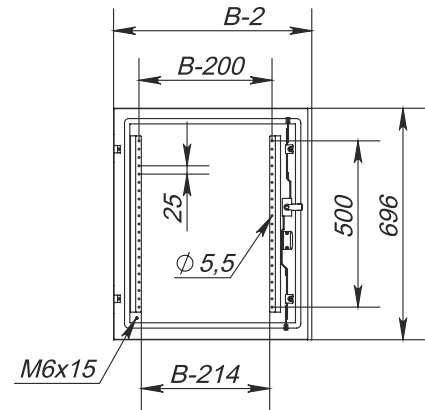
Top view, section



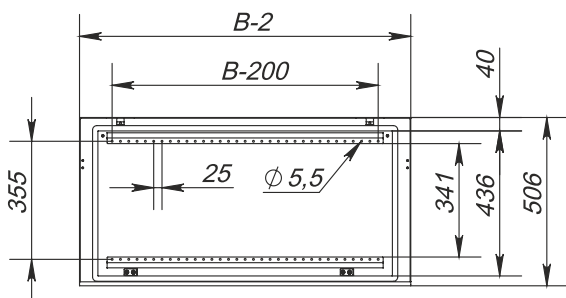
Mounting plate



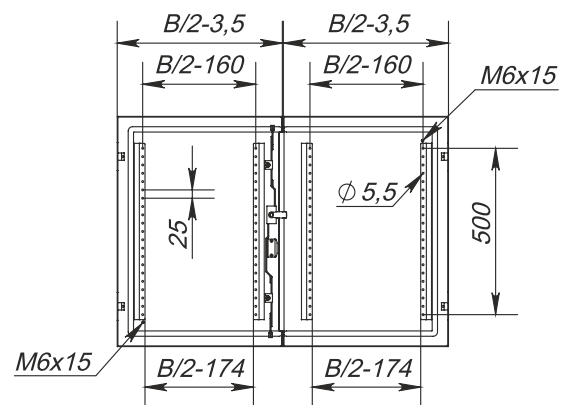
View of a door from the inside



Deckel, InnenanSide



InnenanSide auf die Tür



Dimensions (Enclosure)			Cable-entry panel		Number (Lock)	Weight, kg	Order No.
Height L, mm	Width B, mm	Depth C, mm	Height L1, mm	Width B1, mm			
974	600	497	900	530	1	50	XMPUII-964
974	800	497	900	730	1	62	XMPUII-984
974	1000	497	900	930	1	79	XMPUII-9104
974	1200	497	900	1130	1	90	XMPUII-9124