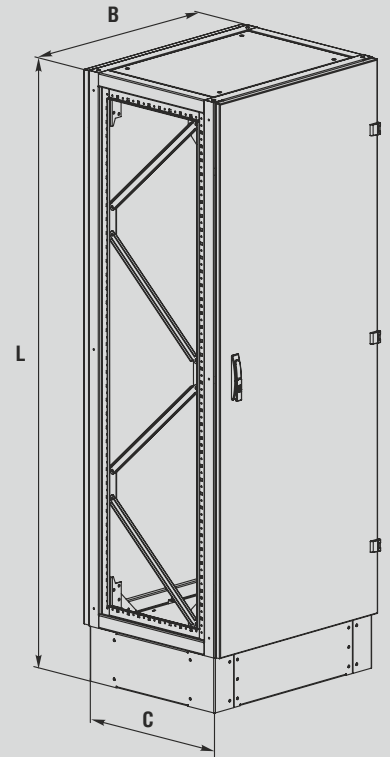
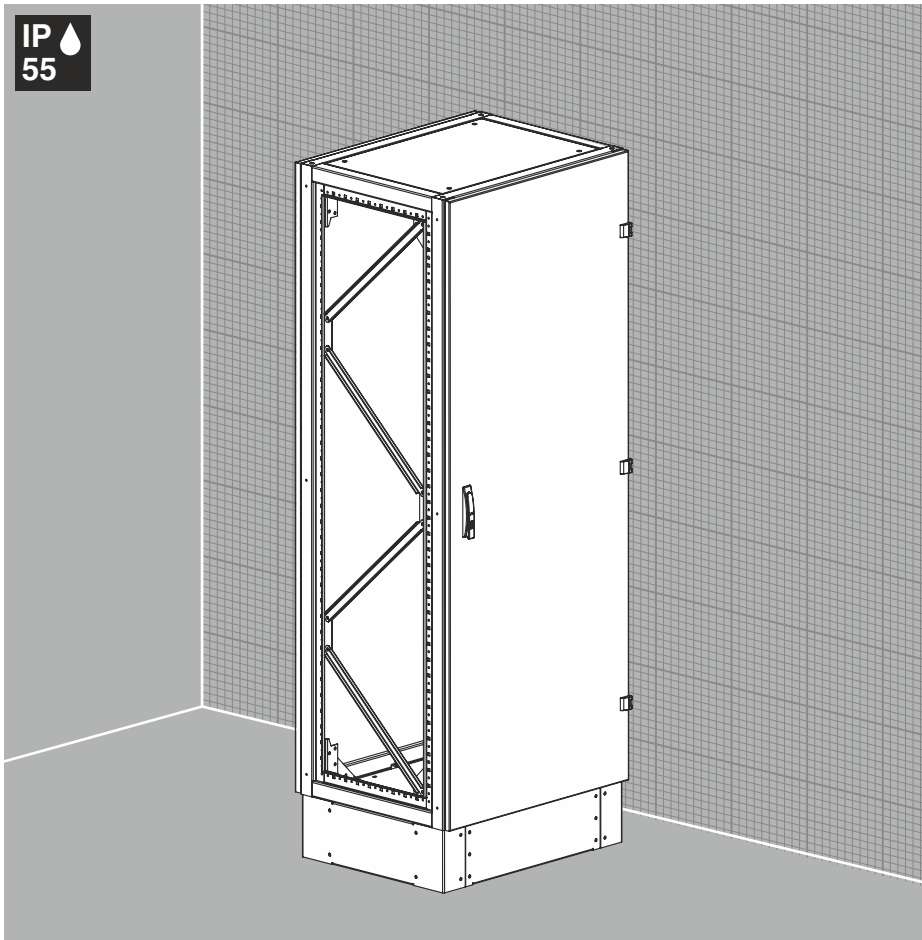




Earthquake-resistant power distribution enclosures XLG55

IP 55



Technical characteristics

Protection degree: IP55, IK10
Un, B: 1000
In, A: 2500
Load, kg: 800
Type of construction: welded framework of steel frames

Material: framework: sheet steel;
 door: sheet steel,
 seismic stability set: sheet steel;
 walls: sheet steel

Surface: framework, door, seismic stability set and walls: RAL 7035 structured powder coating
 Sealing: door, walls, roof panel: all-round foamed-in PU seal

Lock: 3 mm double-bit
Hinge: mounted with 120° opening.

Supply includes: framework with roof panel, door with lock, back wall, seismic stability set, plinth 200 mm, grounding set, key, packing.

Options: special coloring, special dimensions

Accessories: detailed information look **System Accessories**

Drawing: page N°98

Height L, mm	Width B, mm	Depth C, mm	Order No.
2000	600	600	XLG55-2066
2000	800	600	XLG55-2086
2200	600	600	XLG55-2266
2200	800	600	XLG55-2286

