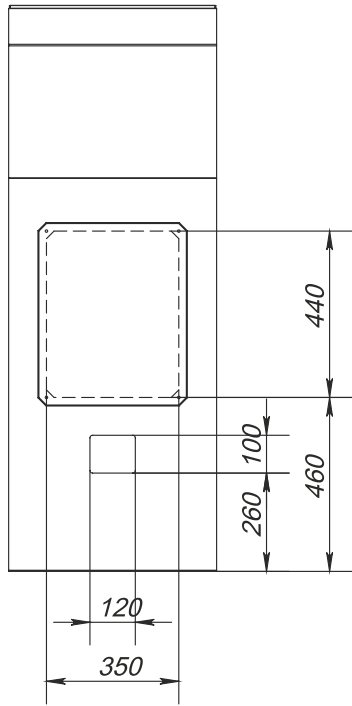
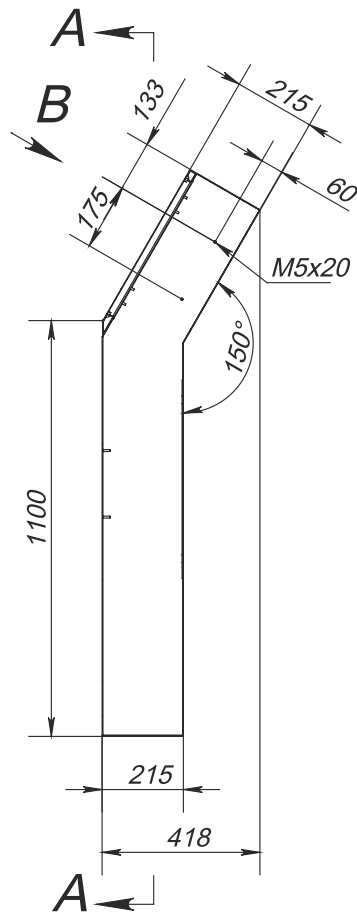


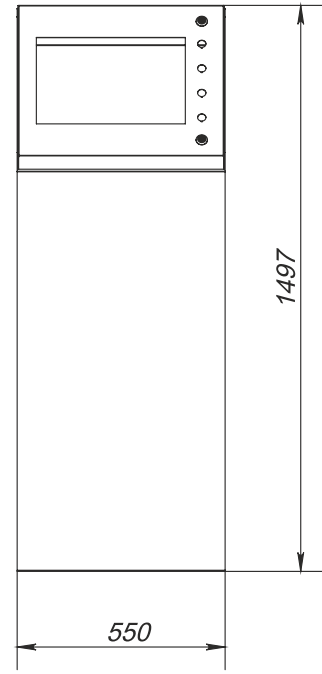
Back view



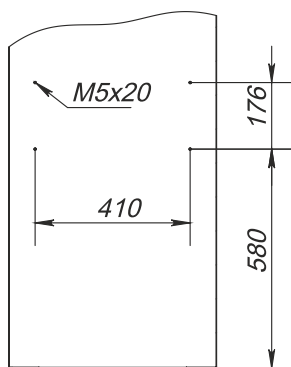
Right side, section



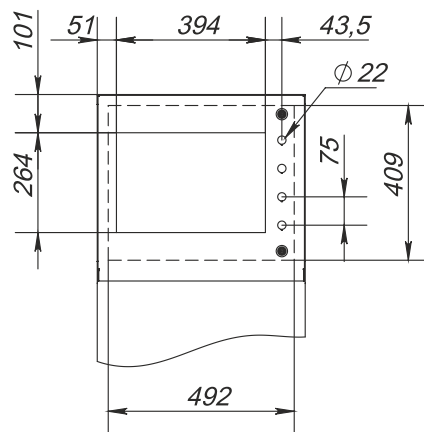
Front view



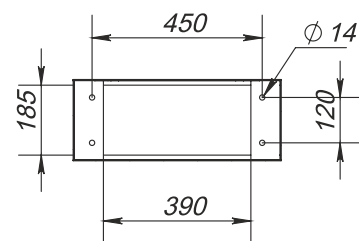
A-A



B



Top view, section



Dimensions (Enclosure)			Number (Lock)	Weight, kg	Order No.
Height L, mm	Width B, mm	Depth C, mm			
1497	550	417	2	22	IPC-Halter