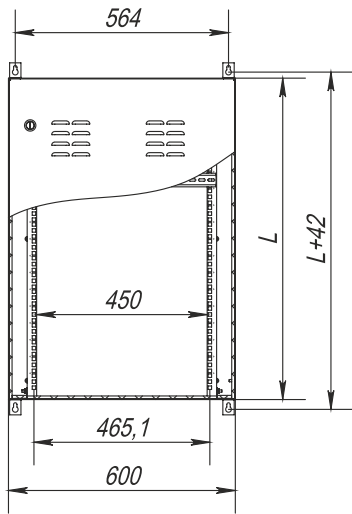
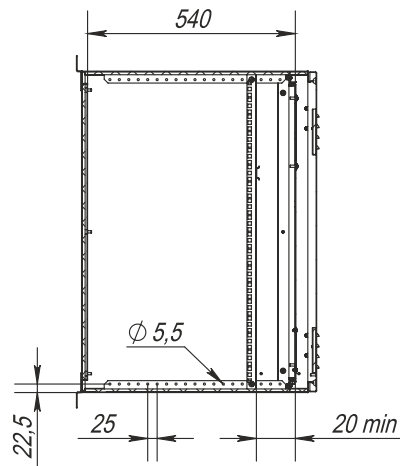


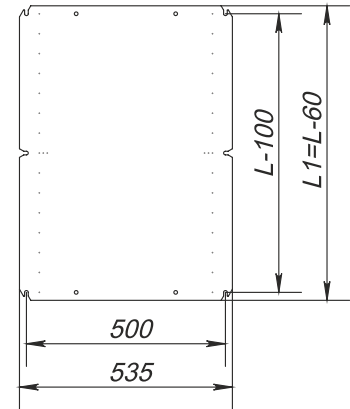
Front view



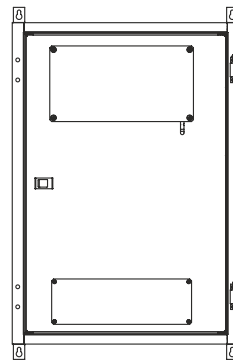
Left-side view, section



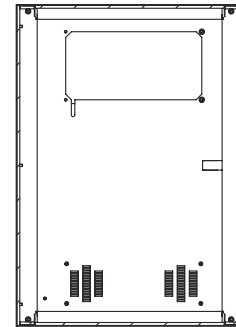
Mounting plate



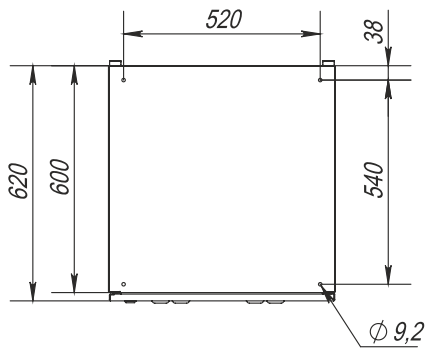
Front view (without external door)



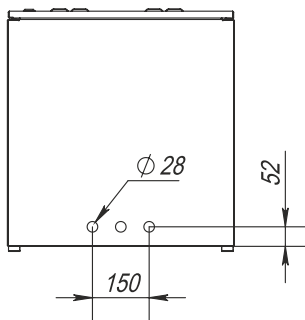
View of a front door from the inside



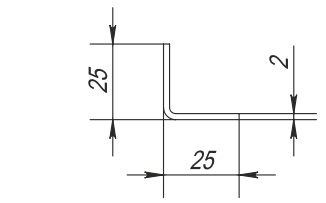
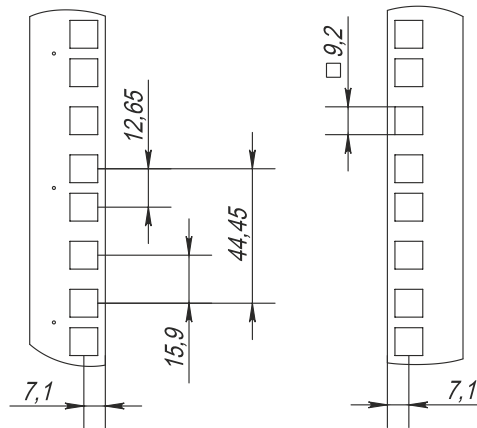
Top view



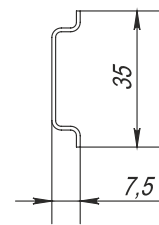
Bottom view



Mounting profil



DIN-lath



Dimensions (Enclosure)				Dimensions (Mounting plate)		Number (19" Profil)	Montage-Depth, mm	Cable-entry panel		Number (Lock)	Weight, kg	Order No.
Montage-Height, HE	Height L, mm	Width B, mm	Depth C, mm	Height L1, mm	Width B1, mm			Dimensions, mm	Number			
6	350	600	600	285	535	2	540	Ø28	3	2	27	X-CC6U66
9	500	600	600	435	535	2	540	Ø28	3	2	34	X-CC9U66
12	650	600	600	585	535	2	540	Ø28	3	2	40	X-CC12U66
15	750	600	600	685	535	2	540	Ø28	3	2	46	X-CC15U66
18	850	600	600	785	535	2	540	Ø28	3	2	50	X-CC18U66