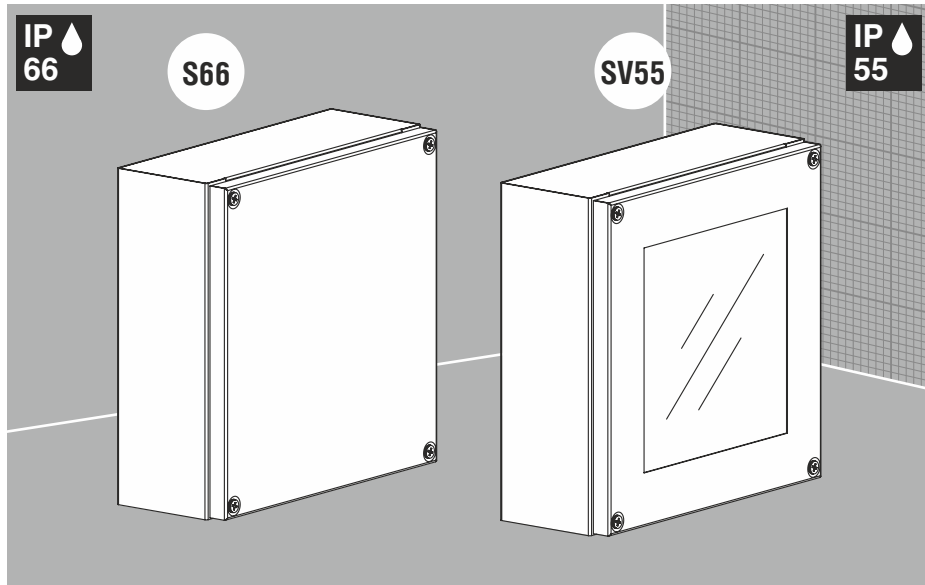




Wall mounted enclosures S66, SV55



Technical characteristics

Protection degree:	IP66, IK10
Un, B:	1000
In, A:	100
Load, kg:	100
Type of construction:	welded enclosure
Material:	enclosure, door: sheet steel; mounting plate: sheet steel
Surface:	enclosure: RAL 7035 structured powder coating; mounting plate: galvanized
Sealing:	door and cable entry panel: all-round foamed-in PU seal
Lock:	3 mm double-bit
Hinge:	mounted with 180° opening
Supply includes:	enclosure, mounting plate, door with lock, cable entry panel, grounding set, key, packing.
Options:	special coloring, special dimensions
Accessories:	detailed information look System Accessories
Drawing:	page № 106

S66

Height L, mm	Width B, mm	Depth C, mm	Order No.
150	150	120	S66-111
150	200	120	S66-121
150	300	120	S66-131
200	200	120	S66-221
200	300	120	S66-231
200	400	120	S66-241
300	300	120	S66-331
300	400	120	S66-341
300	600	120	S66-361
400	400	120	S66-441
400	600	120	S66-461
400	800	120	S66-481

SV55

Height L, mm	Width B, mm	Depth C, mm	Order No.
150	150	120	SV55-111
150	200	120	SV55-121
150	300	120	SV55-131
200	200	120	SV55-221
200	300	120	SV55-231
200	400	120	SV55-241
300	300	120	SV55-331
300	400	120	SV55-341
300	600	120	SV55-361
400	400	120	SV55-441
400	600	120	SV55-461
400	800	120	SV55-481

