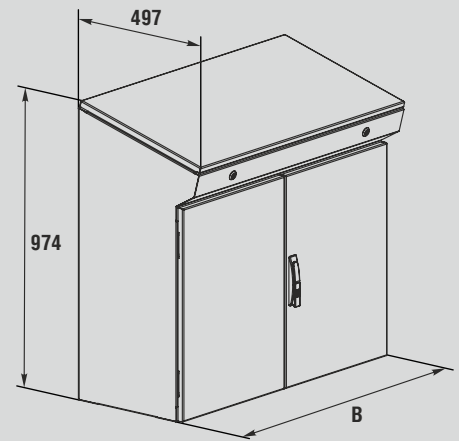
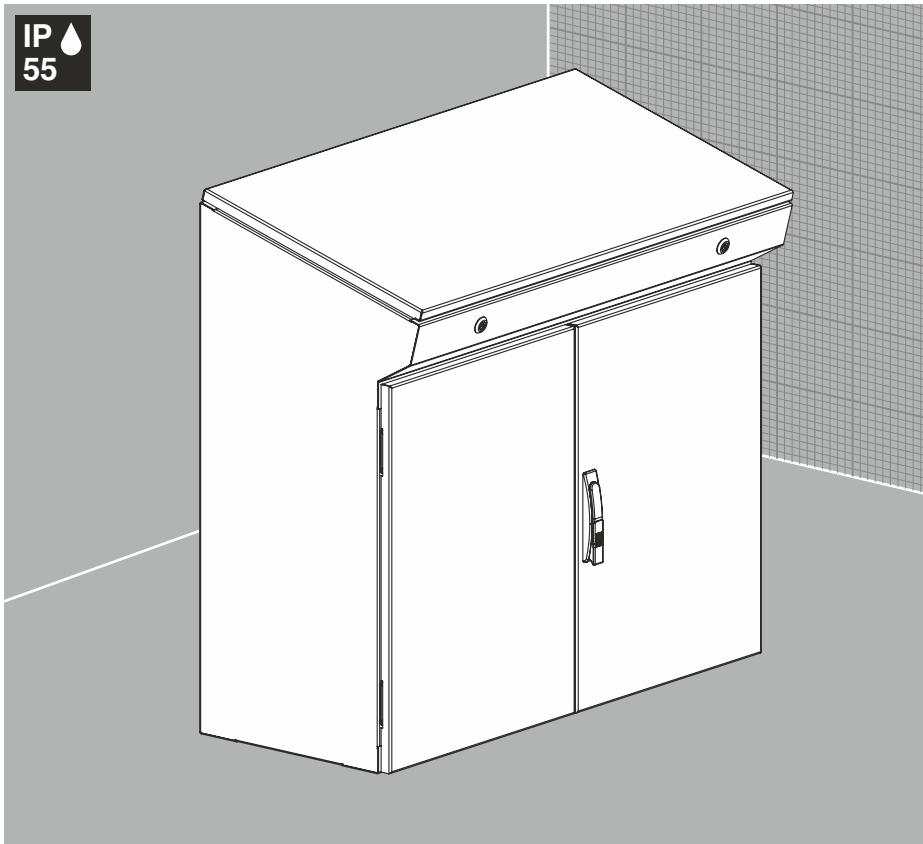




Console systems XMPUIt

IP 55



Technical characteristics

- Protection degree:** IP55, IK10
- Type of construction:** welded enclosure
- Material:** enclosure, door: sheet steel; mounting plate: sheet steel
- Surface:** enclosure: RAL 7035 structured powder coating; mounting plate: galvanized
- Sealing:** all-round foamed-in PU seal
- Lock:** 3 mm double-bit
- Supply includes:** enclosure, mounting plate, door with lock, bottom protection, key, packing
- Options:** special coloring, special dimensions
- Accessories:** detailed information look **System Accessories**
- Drawing:** page №119

Height L, mm	Width B, mm	Depth C, mm	Order No.
974	600	497	XMPUIt-964
974	800	497	XMPUIt-984
974	1000	497	XMPUIt-9104
974	1200	497	XMPUIt-9124

