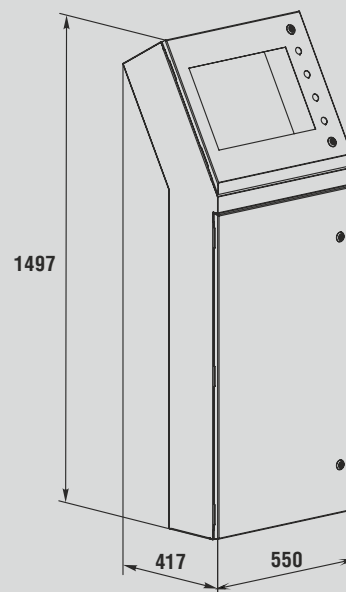
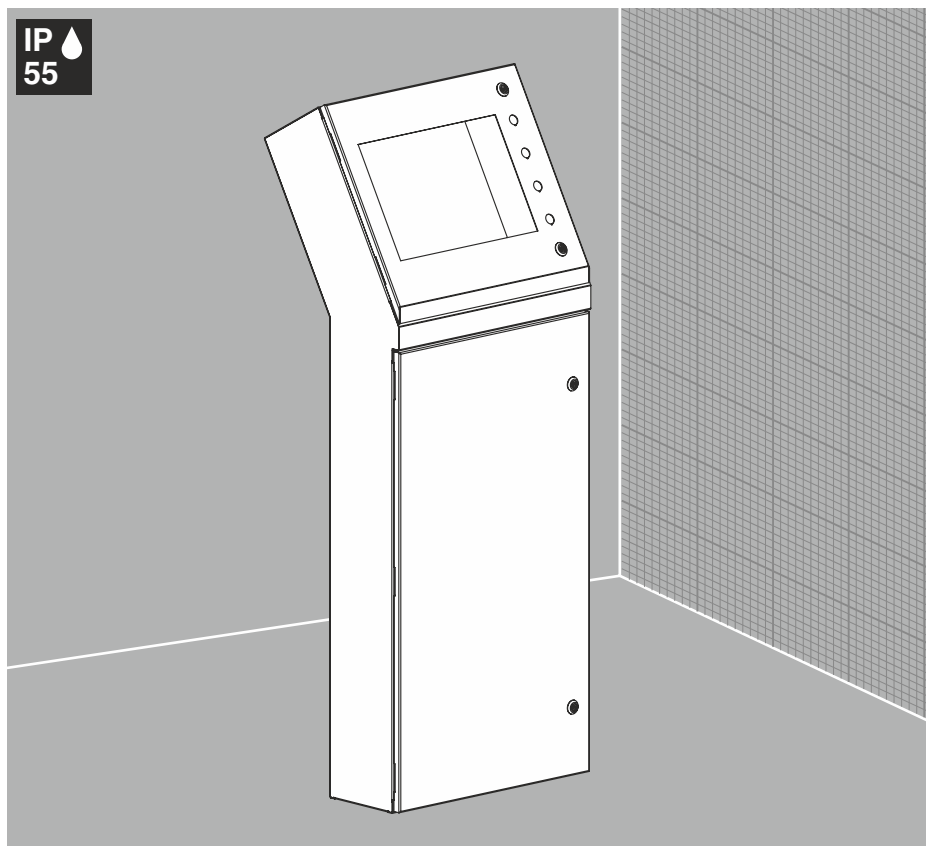




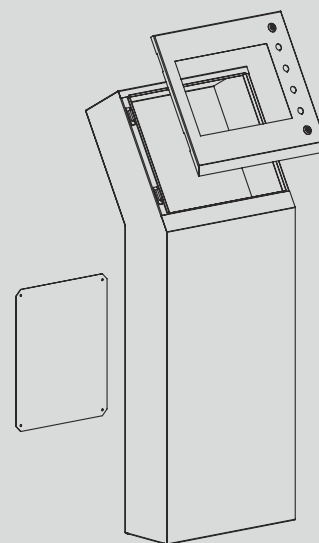
Console systems IPC-Halter



Technical characteristics

- Type of construction:** welded enclosure
- Material:** sheet steel
- Surface:** RAL 7035 structured powder coating
- Sealing:** all-round foamed-in PU seal
- Lock:** 3 mm double-bit
- Supply includes:** enclosure, cable entry panel, key, packing
- Options:** special coloring, special dimensions
- Accessories:** detailed information look
System Accessories
- Drawing:** page №120

Height L, mm	Width B, mm	Depth C, mm	Order No.
1497	550	417	IPC-Halter



Console systems IPC-Halter with mounting plate

Technical characteristics

- Type of construction:** welded enclosure
- Material:** enclosure, door: sheet steel; mounting plate: sheet steel
- Surface:** enclosure: RAL 7035 structured powder coating; mounting plate: galvanized
- Sealing:** all-round foamed-in PU seal
- Lock:** 3 mm double-bit
- Supply includes:** enclosure, mounting plate, door with lock, cable entry panel, key, packing
- Options:** special coloring, special dimensions
- Accessories:** detailed information look
System Accessories
- Drawing:** page №121

Height L, mm	Width B, mm	Depth C, mm	Order No.
1497	550	417	IPC-Halter-A

