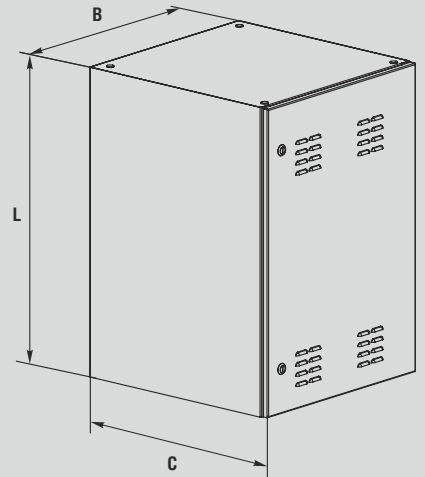
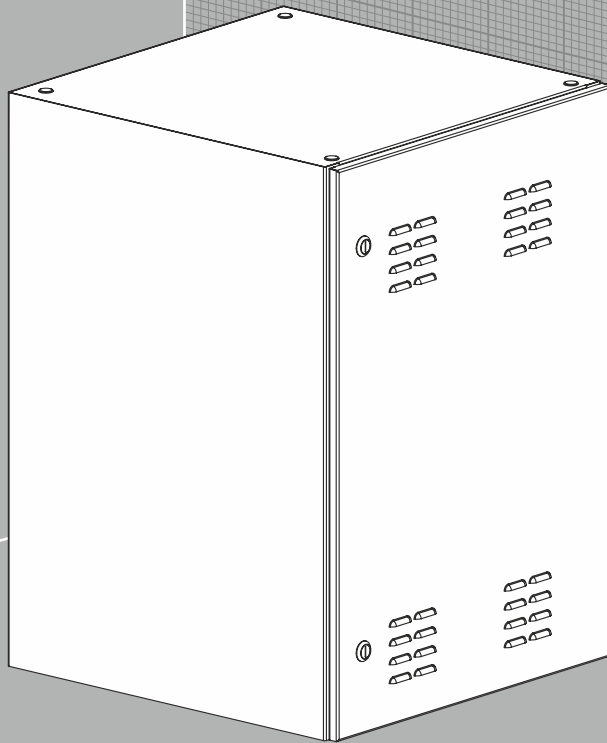




19" Wall mounted enclosures X-CC

IP
66



Technical characteristics

Protection degree:	IP66, IK10
Un, B:	1000
In, A:100	Load, kg:80
Type of construction:	welded enclosure
Material:	sheet steel
Surface:	enclosure: RAL 7035 structured powder coating; mounting plate: galvanized
Sealing:	all-round foamed-in PU seal
Lock:	3 mm double-bit
Hinge:	mounted with 180° opening
Supply includes:	enclosure, door external with blinds, an inside door with perforation, pockets with the filtering element and heater, the system of installation 19", a DIN lath, set of steel caps, sealing glands of cable entry, grounding set, packing.
Options:	mounting plate, fans, filters, thermostat, rain roof
Accessories:	detailed information look System Accessories
Drawing:	page N°119

Montage-Height, HE	Height L, mm	Width B, mm	Depth C, mm	Order No.
6	350	600	600	X-CC6U66
9	500	600	600	X-CC9U66
12	650	600	600	X-CC12U66
15	750	600	600	X-CC15U66
18	850	600	600	X-CC18U66

