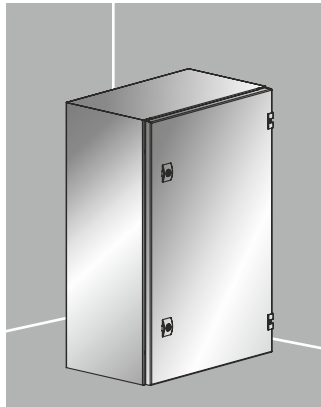


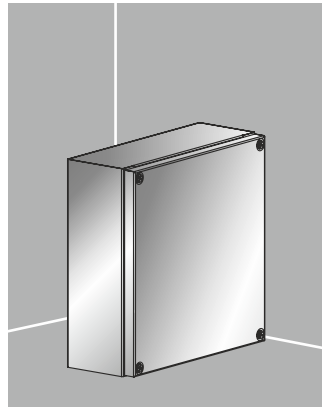


Stainless steel enclosures



LS66

page 50



SS66

page 51



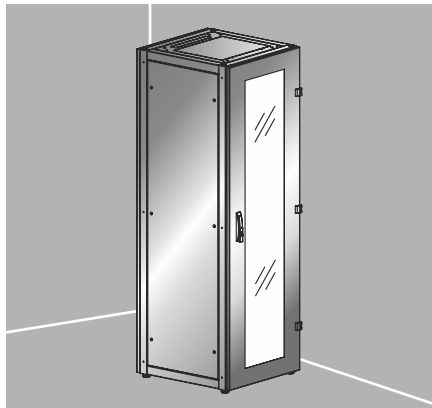
XLS55

page 46



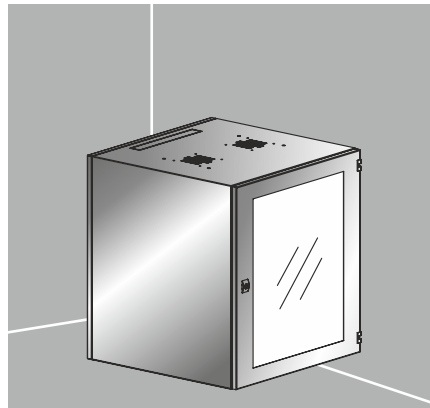
XLDS55

page 47



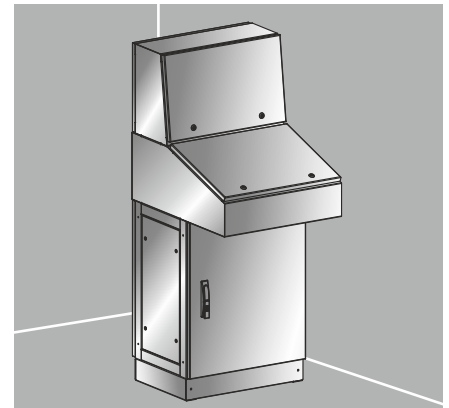
XLS-IT

page 52



XS-IP

page 53



XLSPUIT

page 54

	LS66	SS66	XLS55	XLDS55
1	IP66, IK10	IP66, IK10	IP55, IK10	IP55, IK10
2	Stainless steel 1,5/2,0 mm	Stainless steel 1,0 mm	Stainless steel 1,5/2,0 mm	Stainless steel 1,5/2,0 mm
3	steel 2,0 mm, galvanized	possible	-	steel 2,0 mm, galvanized
4	standard	standard	standard	standard
5	possible	possible	possible	possible

	XLS-IT	XS-IP	XLSPUIT
1	IP55, IK10	IP20, IK10	IP55, IK10
2	Stainless steel 1,5/2,0 mm	Stainless steel 1,5 mm	Stainless steel 1,5/2,0 mm
3	steel 2,0 mm, galvanized	-	-
4	standard	standard	standard
5	possible	possible	possible

1 - protection degree, 2 - housing, 3 - mounting plate, 4 - accessories, 5 - special sizes