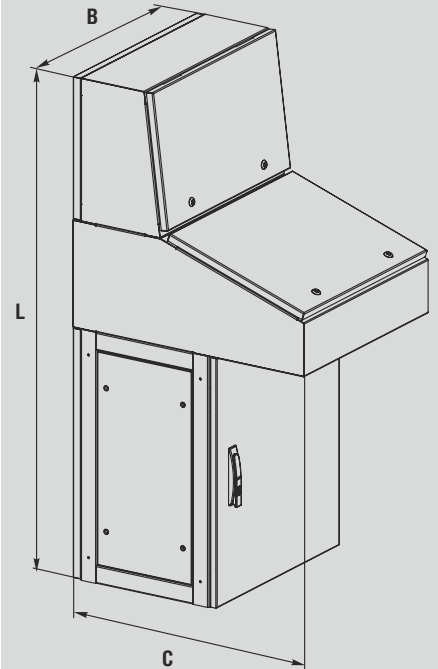
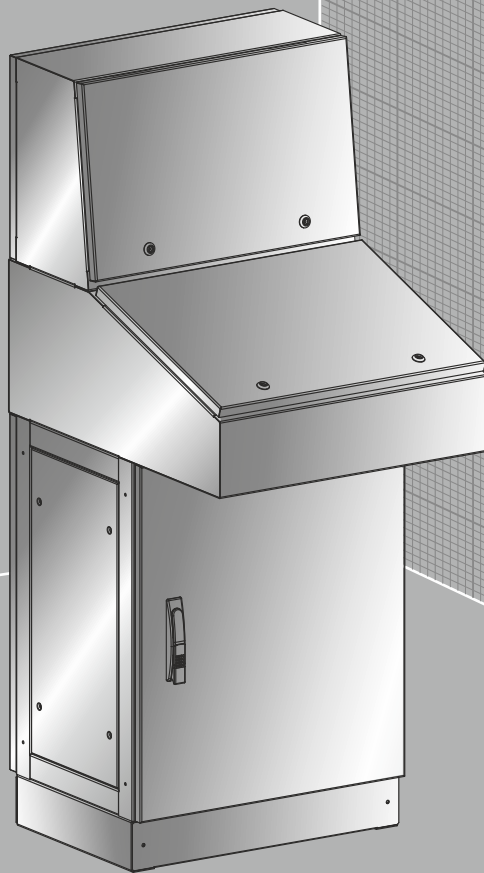




Console system from stainless steel XLSPUIt

INOX
AISI
304

IP
55



Technical characteristics

Protection degree:	IP55, IK10
Type of construction:	sectional
Material:	stainless steel AISI 304
Surface:	brushed, grain 180
Sealing:	all-round foamed-in PU seal
Supply includes:	
Top part XLPU-UP:	enclosure, cover with locks on hinges with a side or top hinge plate (incl. a cover clamp), back wall, cut-out for cable entry, key, packing
Middle part XLPU-M:	enclosure, table-top on hinges behind and locks, 2 clamps with automatic fixing, a cover of the top cut-out. Cut-out for cable entry, key, packing
Lower part XLPU-DN:	enclosure from above is open, door is single or double with lock, mounting plate. Open basis for cable entry, back wall, side walls, grounding wires, key, packing.
Options:	AISI 316L
Accessories:	detailed information look System Accessories
Drawing:	page №110, 111, 112

Height L, mm	Width B, mm	Depth, mm	Order No.
Top part XLPU-UP			
400	600	250	XLSPU-UP462
400	800	250	XLSPU-UP482
400	1000	250	XLSPU-UP4102
400	1200	250	XLSPU-UP4122
400	1400	250	XLSPU-UP4142
400	1600	250	XLSPU-UP4162
Middle part XLPU-M			
300	600	700	XLSPU-M367
300	800	700	XLSPU-M387
300	1000	700	XLSPU-M3107
300	1200	700	XLSPU-M3127
300	1400	700	XLSPU-M3147
300	1600	700	XLSPU-M3167
Lower part XLPU-DN			
700	600	400	XLSPU-DN764
700	600	600	XLSPU-DN766
700	800	400	XLSPU-DN784
700	800	600	XLSPU-DN786
700	1000	400	XLSPU-DN7104
700	1000	600	XLSPU-DN7106
700	1200	400	XLSPU-DN7124
700	1200	600	XLSPU-DN7126
700	1400	400	XLSPU-DN7144
700	1400	600	XLSPU-DN7146
700	1600	400	XLSPU-DN7164
700	1600	600	XLSPU-DN7166

