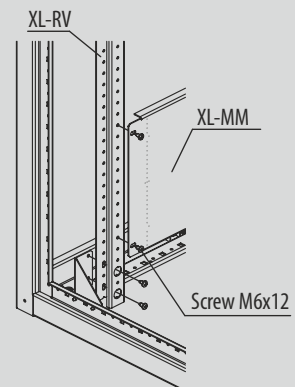
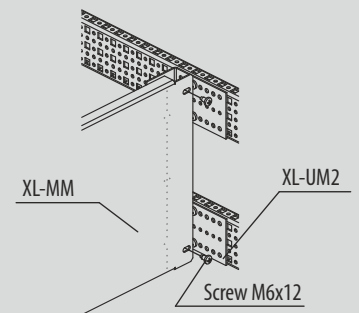
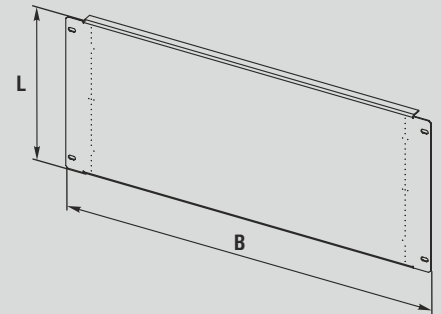
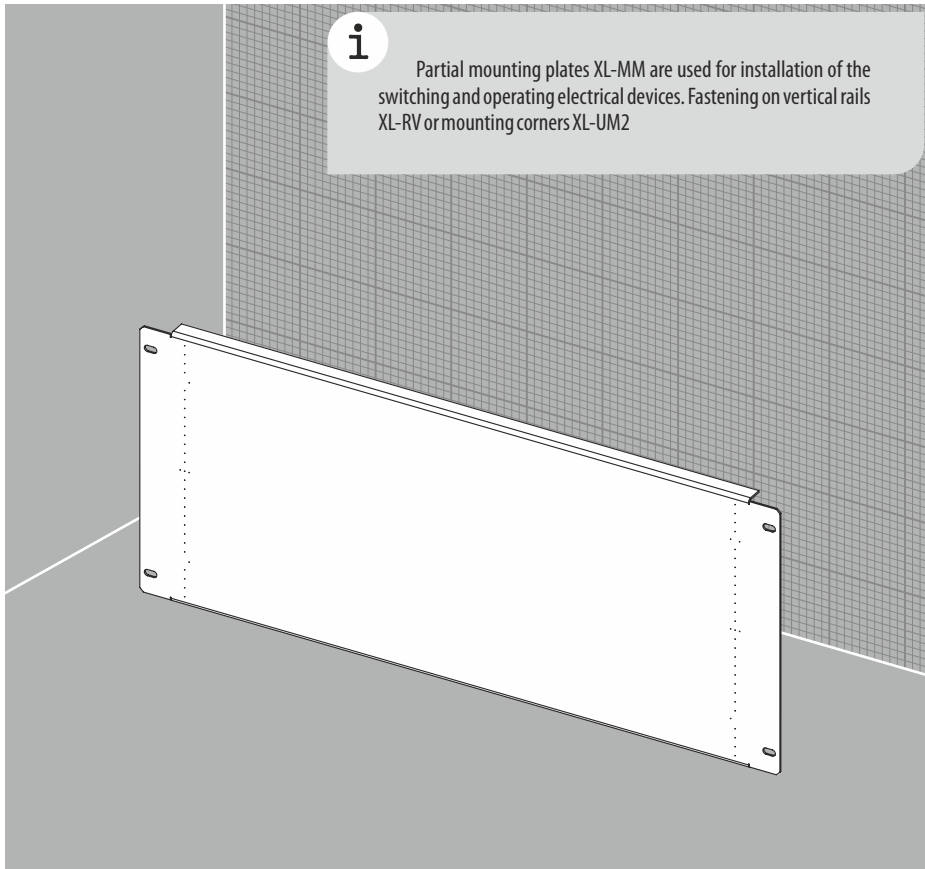




Partial mounting plate XL-MM

i Partial mounting plates XL-MM are used for installation of the switching and operating electrical devices. Fastening on vertical rails XL-RV or mounting corners XL-UM2



Order No.	Width (enclosure), mm	Dimensions (partial mounting plate)		Weight, kg	Packaging unit, piece
		Height L, mm	Width B, mm		
XL-MM14	400	100	314	0,46	1
XL-MM16	600	100	514	0,77	1
XL-MM18	800	100	714	1,08	1
XL-MM110	1000	100	914	1,40	1
XL-MM112	1200	100	1114	1,73	1
XL-MM24	400	200	314	0,82	1
XL-MM26	600	200	514	1,38	1
XL-MM28	800	200	714	1,92	1
XL-MM210	1000	200	914	2,47	1
XL-MM212	1200	200	1114	3,04	1
XL-MM34	400	300	314	1,19	1
XL-MM36	600	300	514	1,97	1
XL-MM38	800	300	714	2,75	1
XL-MM310	1000	300	914	3,54	1
XL-MM312	1200	300	1114	4,36	1
XL-MM44	400	400	314	1,57	1
XL-MM46	600	400	514	2,60	1
XL-MM48	800	400	714	3,59	1
XL-MM410	1000	400	914	4,61	1
XL-MM412	1200	400	1114	5,67	1
XL-MM54	400	500	314	1,93	1
XL-MM56	600	500	514	3,18	1
XL-MM58	800	500	714	4,43	1
XL-MM510	1000	500	914	5,68	1
XL-MM512	1200	500	1114	6,93	1

Technical characteristics

- Material:** sheet steel
- Surface:** zinc-plated
- Supply includes:** mounting panel + mounting set, package

