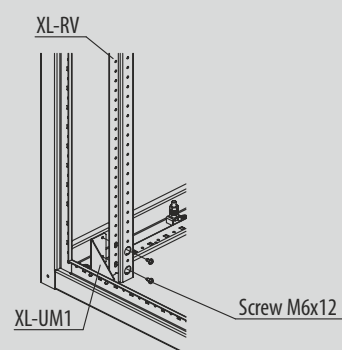
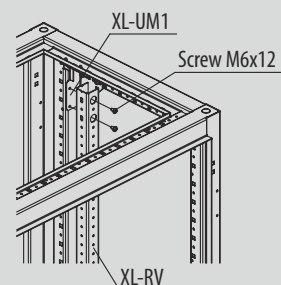
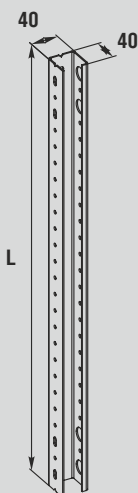
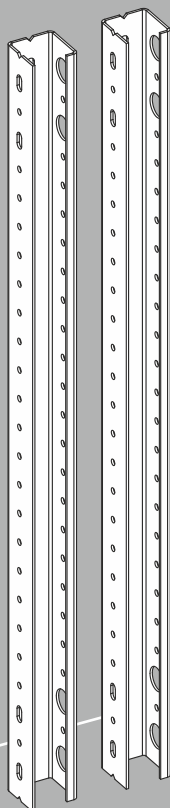


Vertical rail XL-RV

i

Vertical rails XL-RV are used for installation of the mounting parts, providing installation of electrical devices. Fastening on mounting corners XL-UM1/XL-UM2 and horizontal rails XL-RH



Technical characteristics

Material: sheet steel
Surface: zinc-plated
Supply includes: vertical rail, 2 pcs. mounting set, package

Order No.	Height (enclosure), mm	Height (rail) L, mm	Weight, kg	Packaging unit, piece
XL-RV12	1400	1250	2,53	2
XL-RV14	1600	1450	2,94	2
XL-RV16	1800	1650	3,35	2
XL-RV18	2000	1850	3,76	2
XL-RV20	2200	2050	4,17	2

