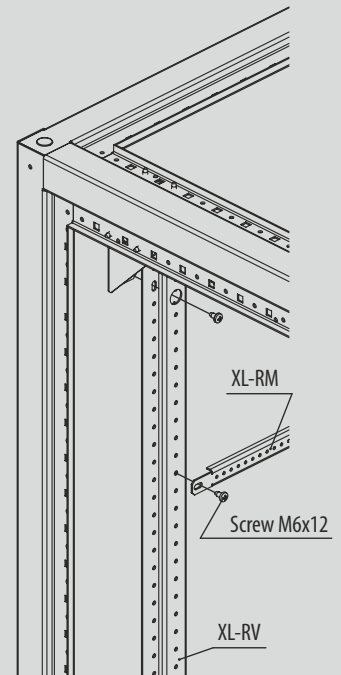
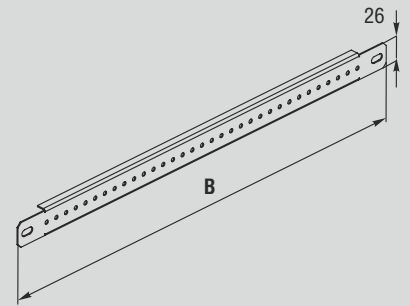
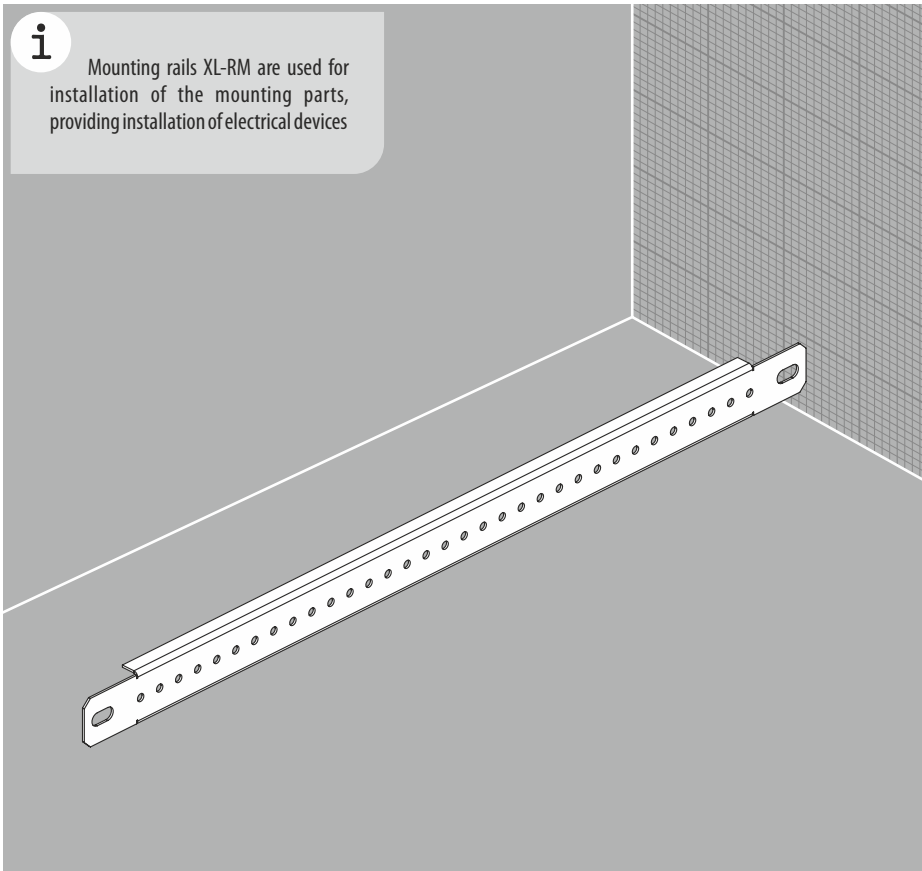




Mounting rail XL-RM



Mounting rails XL-RM are used for installation of the mounting parts, providing installation of electrical devices



Technical characteristics

Material: sheet steel
Surface: zinc-plated
Supply includes: mounting rail, 6 pcs. + mounting set, package

Order No.	Width (enclosure), mm	Length (rail) B, mm	Weight, kg	Packaging unit, piece
XL-RM4	400	314	0,96	6
XL-RM6	600	514	1,68	6
XL-RM8	800	714	2,40	6
XL-RM10	1000	914	3,12	6
XL-RM12	1200	1114	3,84	6

