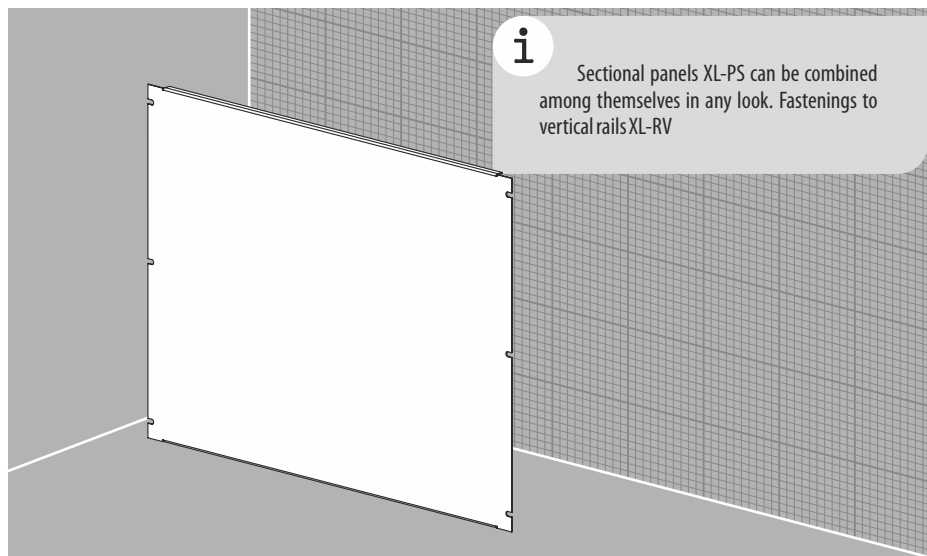
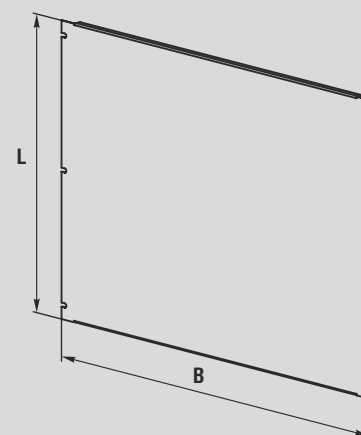


Sectional panel XL-PS



i

Sectional panels XL-PS can be combined among themselves in any look. Fastenings to vertical rails XL-RV



Order No.	Width (enclosure), mm	Dimensions (Sectional panel)		Weight, kg	Packaging unit, piece
		L, mm	B, mm		
XL-PS14	400	100	300	0,40	1
XL-PS16	600	100	500	0,68	1
XL-PS18	800	100	700	0,96	1
XL-PS110	1000	100	900	1,23	1
XL-PS112	1200	100	1100	1,51	1
XL-PS154	400	150	300	0,57	1
XL-PS156	600	150	500	0,97	1
XL-PS158	800	150	700	1,37	1
XL-PS1510	1000	150	900	1,76	1
XL-PS1512	1200	150	1100	2,15	1
XL-PS24	400	200	300	0,75	1
XL-PS26	600	200	500	1,26	1
XL-PS28	800	200	700	1,78	1
XL-PS210	1000	200	900	2,29	1
XL-PS212	1200	200	1100	2,80	1
XL-PS254	400	250	300	0,93	1
XL-PS256	600	250	500	1,56	1
XL-PS258	800	250	700	2,20	1
XL-PS2510	1000	250	900	2,82	1
XL-PS2512	1200	250	1100	3,45	1
XL-PS34	400	300	300	1,10	1
XL-PS36	600	300	500	1,85	1
XL-PS38	800	300	700	2,61	1
XL-PS310	1000	300	900	3,34	1
XL-PS312	1200	300	1100	4,09	1
XL-PS44	400	400	300	1,45	1
XL-PS46	600	400	500	2,45	1
XL-PS48	800	400	700	3,44	1
XL-PS410	1000	400	900	4,40	1
XL-PS412	1200	400	1100	5,38	1
XL-PS54	400	500	300	1,81	1
XL-PS56	600	500	500	3,02	1
XL-PS58	800	500	700	4,24	1
XL-PS510	1000	500	900	5,46	1
XL-PS512	1200	500	1100	6,67	1

Technical characteristics

Material:	sheet steel
Surface:	powder-coated RAL 7035
Supply includes:	sectional panel + mounting set, package

