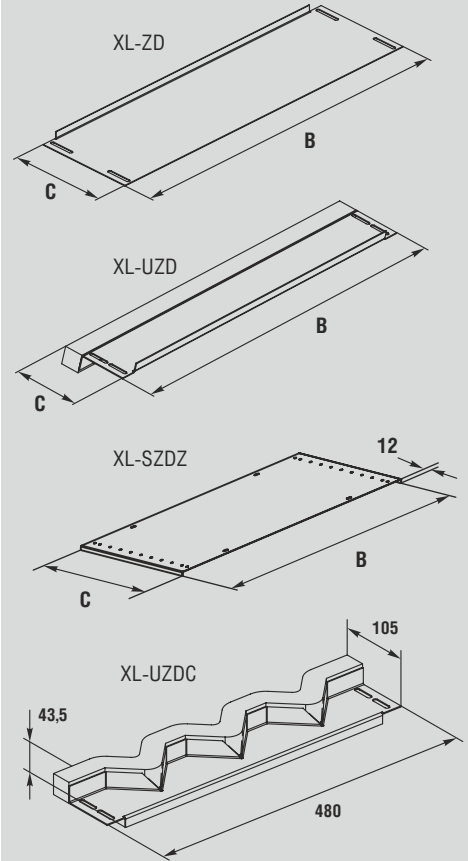
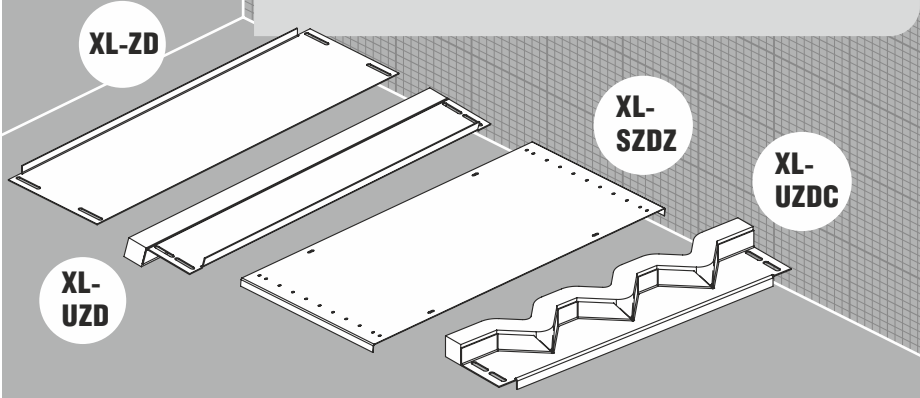




Bottom protection XL-ZD, XL-UZD, XL-SZDZ, XL-UZDC

i Bottom protections XL-ZD, XL-UZD, XL-SZDZ are intended for the organization of cable entry and protection of the lower part of a cabinet against hit of water and dust. For closing of an aperture - the necessary combination from panels is selected.



Order No.	Width (enclosure), mm	Dimensions (floor panel)		Weight, kg	Packaging unit, piece
		B, mm	C, mm		
XL-ZD14	400	280	100	0,35	1
XL-ZD16	600	480	100	0,61	1
XL-ZD18	800	680	100	0,88	1
XL-ZD110	1000	880	100	1,14	1
XL-ZD112	1200	1080	100	1,40	1
XL-ZD24	400	280	200	0,67	1
XL-ZD26	600	480	200	1,17	1
XL-ZD28	800	680	200	1,67	1
XL-ZD210	1000	880	200	2,16	1
XL-ZD212	1200	1080	200	2,66	1

XL-UZD14	400	280	100	0,35	2
XL-UZD16	600	480	100	0,61	2
XL-UZD18	800	680	100	0,87	2
XL-UZD110	1000	880	100	1,13	2
XL-UZD112	1200	1080	100	1,39	2

XL-UZDC14	400	280	100	0,32	1
XL-UZDC16	600	480	100	0,53	1
XL-UZDC18	800	680	100	0,77	1
XL-UZDC110	1000	880	100	0,98	1
XL-UZDC112	1200	1080	100	1,24	1

Order No.	Dimensions (enclosure)		Dimensions (floor panel)		Weight, kg	Packaging unit, piece
	Width, mm	Depth, mm	B, mm	C, mm		
XL-SZDZ64	600	400	510	295	1,23	1
XL-SZDZ66	600	600	510	495	2,07	1
XL-SZDZ68	600	800	510	695	2,90	1
XL-SZDZ84	800	400	710	295	1,70	1
XL-SZDZ86	800	600	710	495	2,85	1
XL-SZDZ88	800	800	710	695	4,00	1
XL-SZDZ104	1000	400	910	295	1,64	1
XL-SZDZ106	1000	600	910	495	3,11	1
XL-SZDZ108	1000	800	910	695	4,57	1
XL-SZDZ124	1200	400	1110	295	1,99	1
XL-SZDZ126	1200	600	1110	495	3,77	1
XL-SZDZ128	1200	800	1110	695	5,55	1

Technical characteristics

- Material:** sheet steel
- Surface:** zinc-plated
- Sealing:** foam rubber (for UZD, UZDC)
- Supply includes:** bottom protection + mounting set, package

