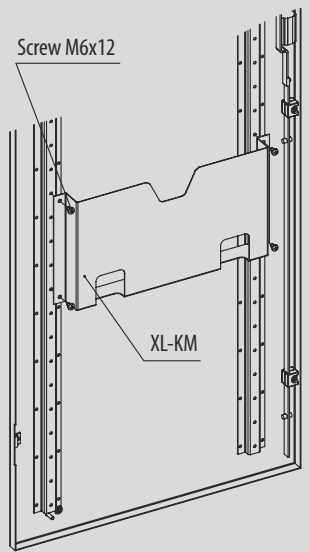
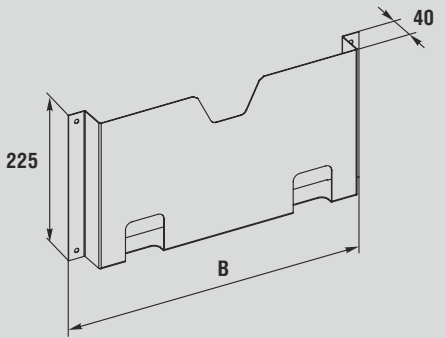
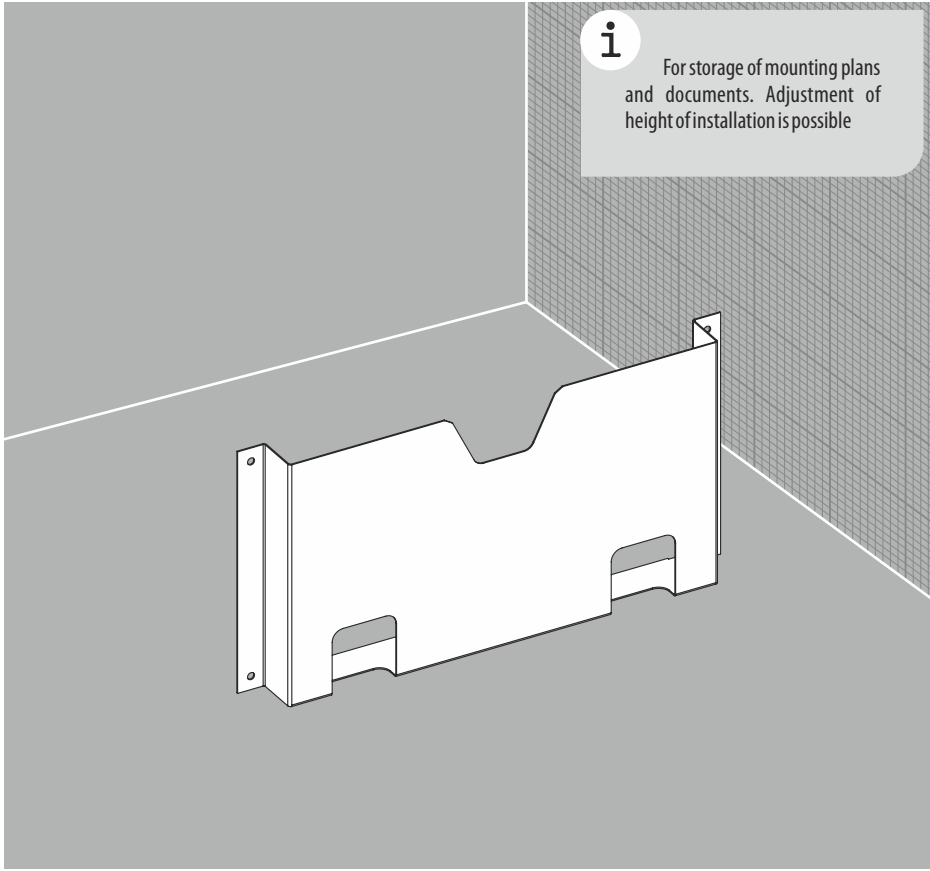




# Document holder XL-KM

**i** For storage of mounting plans and documents. Adjustment of height of installation is possible



### Technical characteristics

- Material:** steel
- Surface:** powder-coated RAL 7035
- Supply includes:** holder+ mounting set, package

Order No.	Width (enclosure), mm	Width (document holder) B, mm	Weight, kg	Packaging unit, piece
<b>XL-KM4</b>	400	240	0,56	1
<b>XL-KM5</b>	1000	340	0,68	1
<b>XL-KM6</b>	600/1200	440	0,89	1
<b>XL-KM8</b>	800	640	1,26	1

