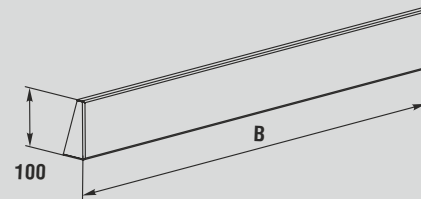
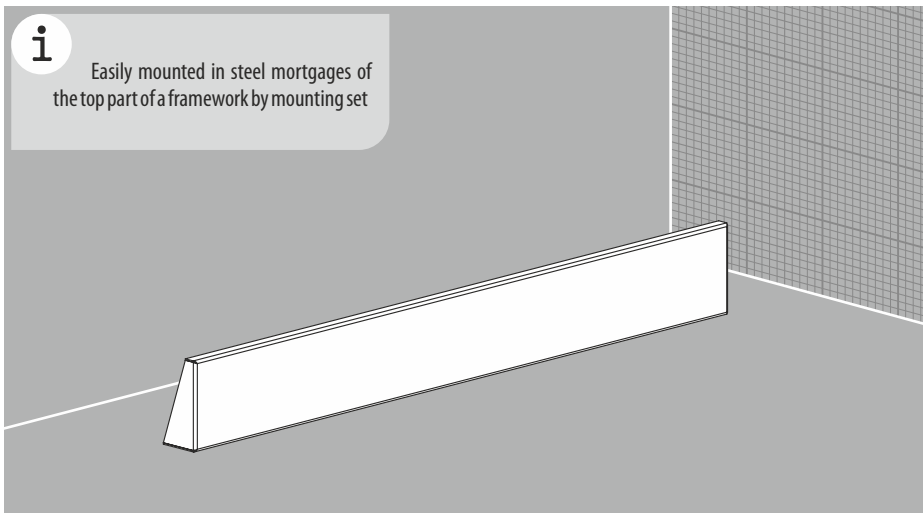




## Information panel XL-PI

**i**

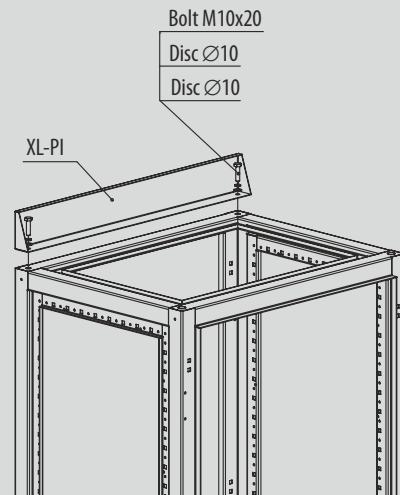
Easily mounted in steel mortgages of the top part of a framework by mounting set



### Technical characteristics

**Material:** steel  
**Surface:** powder-coated RAL 7035  
**Supply includes:** panel + mounting set, package

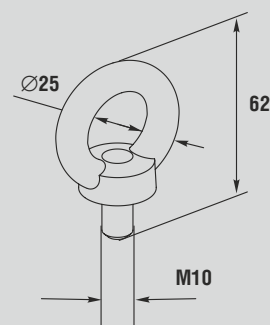
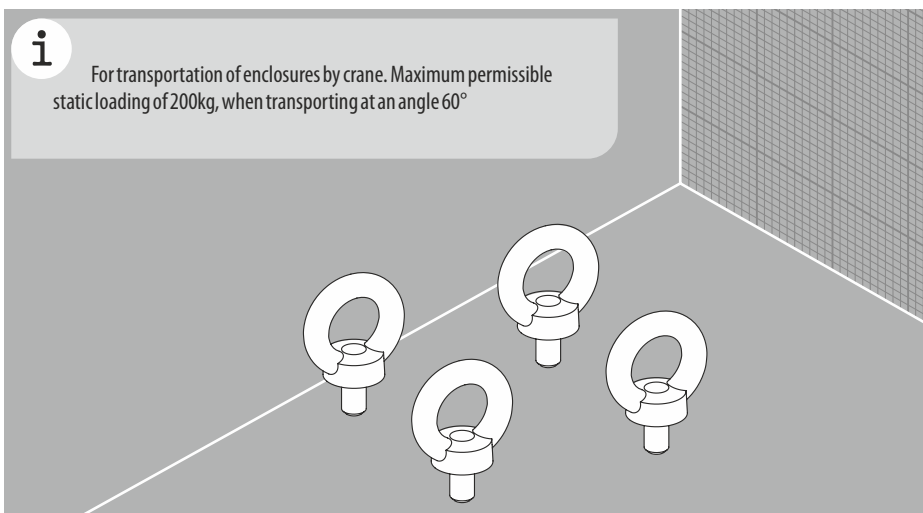
Order No.	Width (enclosure), mm	Width (Panel) B, mm	Weight, kg	Packaging unit, piece
<b>XL-PI6</b>	600	600	0,84	1
<b>XL-PI8</b>	800	800	1,10	1
<b>XL-PI10</b>	1000	1000	1,37	1
<b>XL-PI12</b>	1200	1200	1,63	1



## Eyebolts XL-RB

**i**

For transportation of enclosures by crane. Maximum permissible static loading of 200kg, when transporting at an angle 60°



### Technical characteristics

**Material:** steel  
**Surface:** galvanized  
**Supply includes:** 4x transport eyelets, packaging

Order No.	Packaging unit
<b>XL-RB</b>	4

