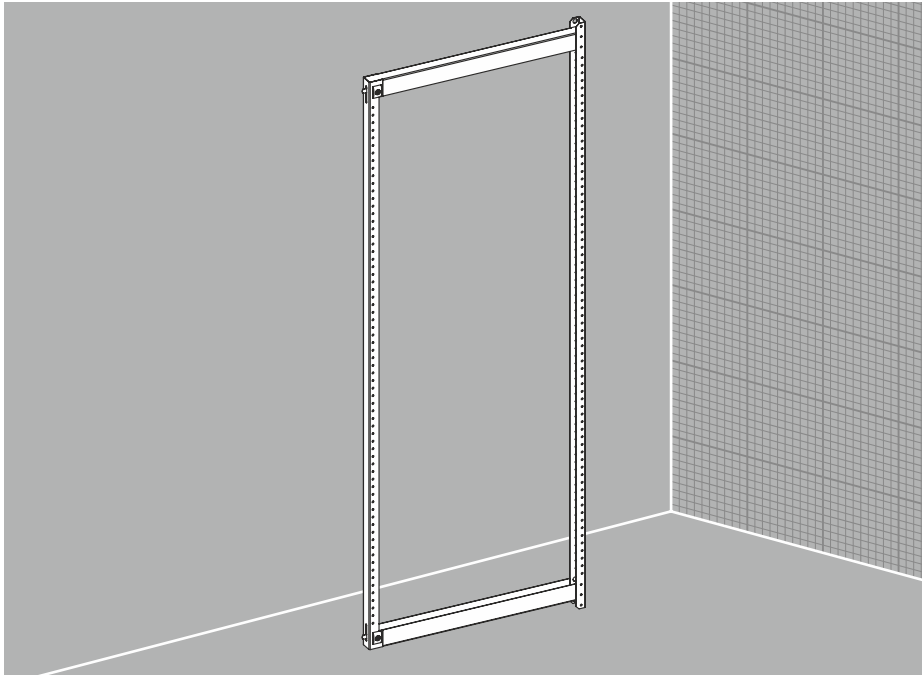




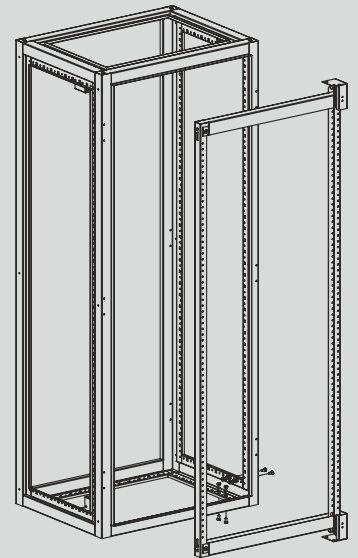
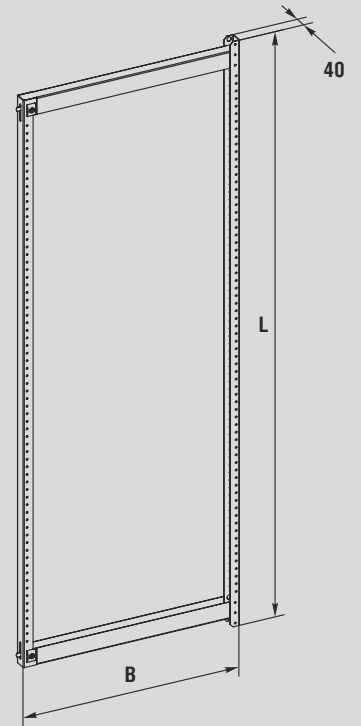
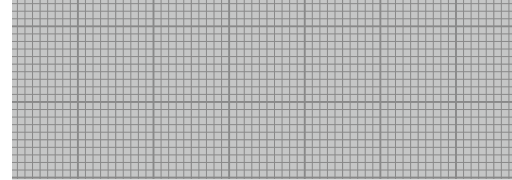
## Swing frame XL-RP



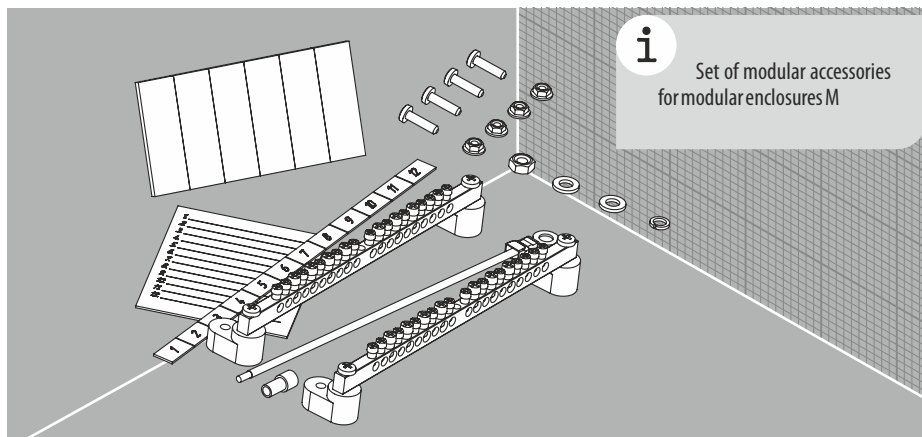
### Technical characteristics

- Material:** steel  
**Surface:** powder-coated RAL 7035  
**Supply includes:** swing frame + mounting set, packaging

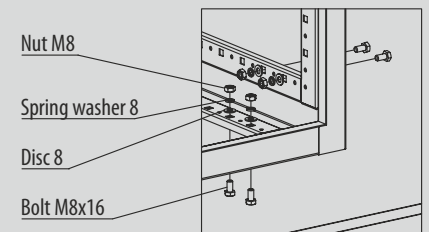
Order No.	Dimensions (enclosure)		Dimensions (swing frame)		Weight, kg	Packaging unit, piece
	Height, mm	Width, mm	L, mm	B, mm		
<b>XL-RP208</b>	2000	800	1930	714	7	1
<b>XL-RP228</b>	2200	800	2130	714	8	1



## Set of accessories KPM



**i** Set of modular accessories for modular enclosures M



Order No.	Number of modules in enclosure piece	Packaging unit
<b>KPM-12</b>	12	1
<b>KPM-24</b>	24	1
<b>KPM-36</b>	36	1
<b>KPM-48</b>	48	1
<b>KPM-70</b>	70	1

