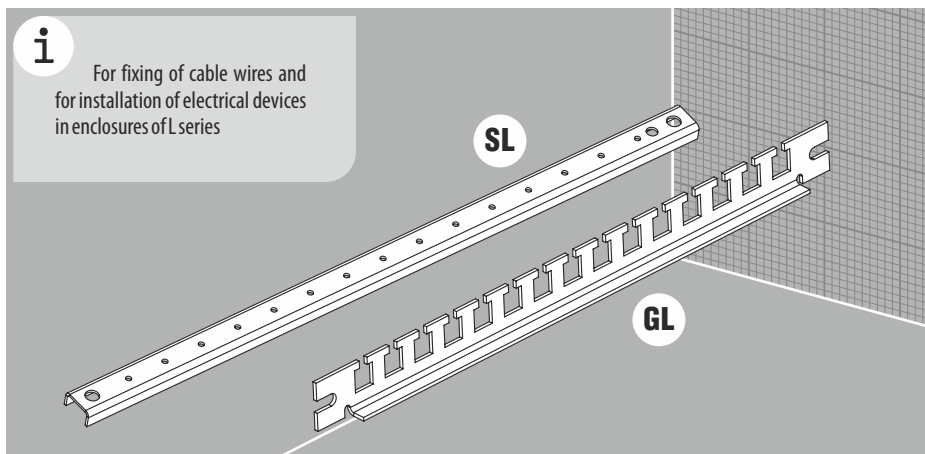




Cable channels SL, GL



i

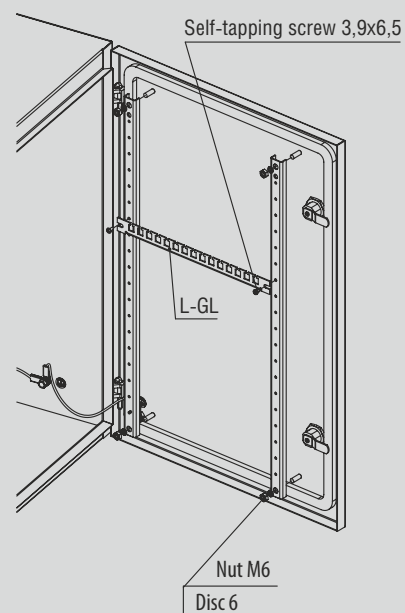
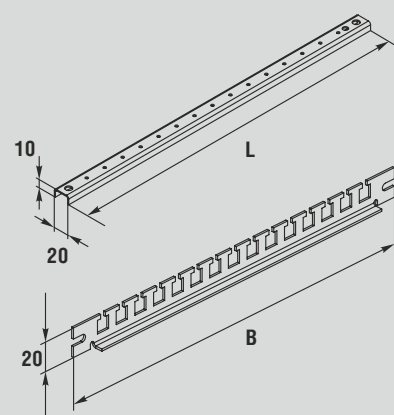
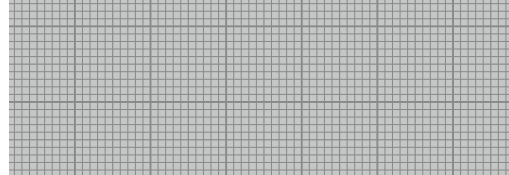
For fixing of cable wires and for installation of electrical devices in enclosures of L series

Technical characteristics

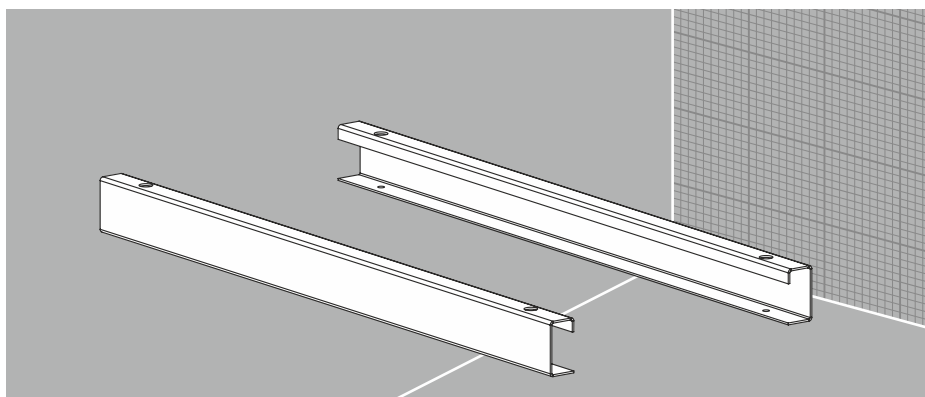
Material: sheet steel
Surface: zinc plated
Supply includes: mounting rail, 2 pcs. + mounting set, package

Order No.	Height (enclosure), mm	Length (rail) L, mm	Weight, kg	Packaging unit, piece
SL-5	500	420	0,34	2
SL-6	600	520	0,42	2
SL-8	800	720	0,58	2
SL-10	1000	920	0,74	2
SL-12	1200	1120	0,92	2

Order No.	Width (enclosure), mm	Length (rail) B, mm	Weight, kg	Packaging unit, piece
GL-4	400	266	0,12	2
GL-5	500	366	0,16	2
GL-6	600	466	0,22	2
GL-8	800	666	0,30	2



Support rails XL-MS



Technical characteristics

Material: steel
Surface: powder-coated RAL 7035
Supply includes: support rails, 2 pcs. + mounting set, package

