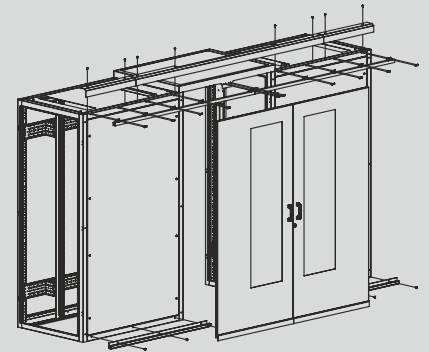
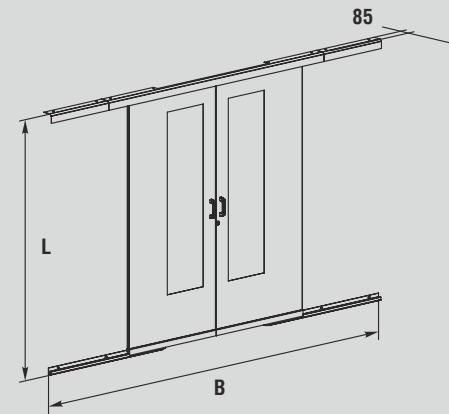
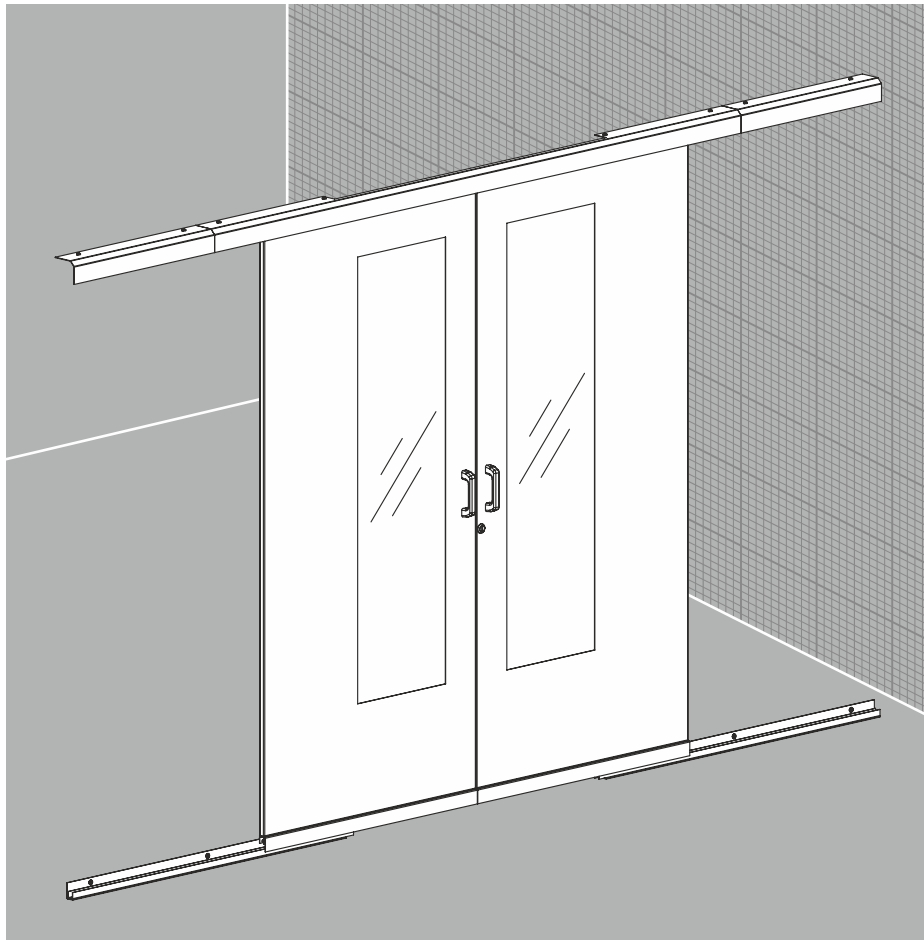




## Door-system for Data Center 3D-SDR



Order No.	Dimensions (door)		Weight, kg	Packaging unit, piece
	Height L, mm	Width B, mm		
3D-SDR	2000	1800	50	1

### Technical characteristics

- Material:** sheet steel
- Surface:** powder-coated RAL 7035
- Supply includes:** door system+ mounting set, package

