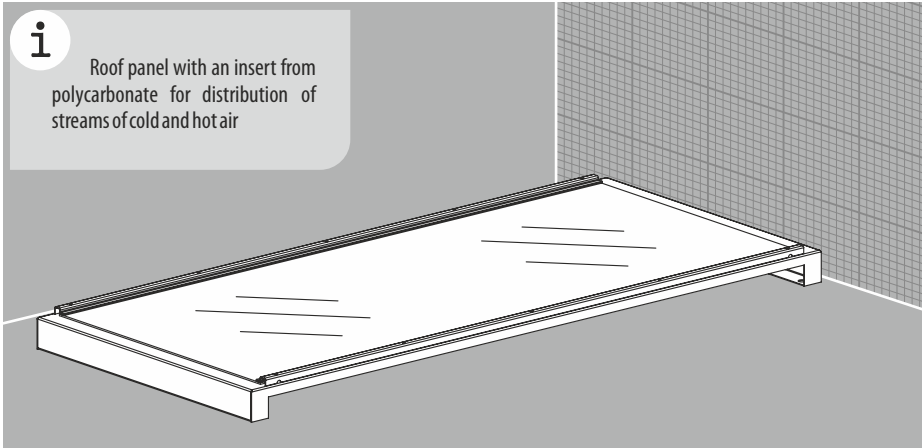




Roof panel for Data Center 3D-PS

i

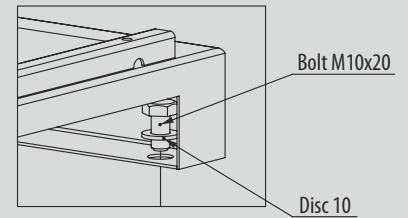
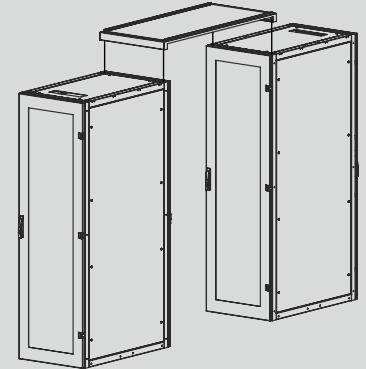
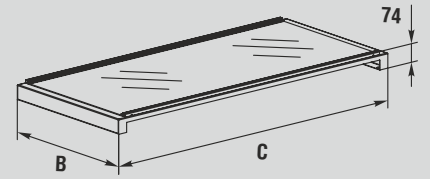
Roof panel with an insert from polycarbonate for distribution of streams of cold and hot air



Order No.	Width (enclosure), mm	Dimensions (roof panel)		Weight, kg	Packaging unit, piece
		B, mm	C, mm		
3D-PS612	600	600	1350	7,46	1
3D-PS812	800	800	1350	9,06	1

Technical characteristics

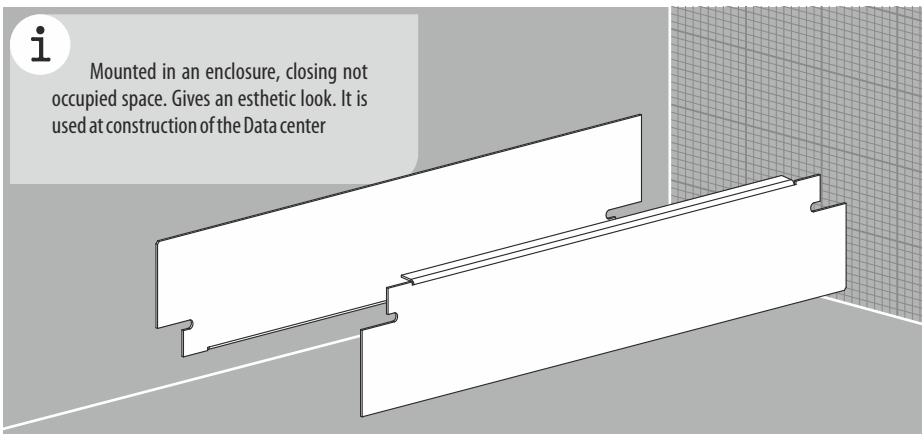
- Material:** sheet steel
Surface: powder-coated RAL 7035
Supply includes: Roof panel + installation set, package



Sectional decorative panels XL-DSP

i

Mounted in an enclosure, closing not occupied space. Gives an esthetic look. It is used at construction of the Data center



Technical characteristics

- Material:** sheet steel
Surface: powder-coated RAL 7035
Supply includes: sectional decorative panel + mounting set, package

Order No.	Width (enclosure), mm	Width (plate) B, mm	Weight, kg	Packaging unit, piece
XL-DSP4	400	358	0,43	1
XL-DSP6	600	558	0,69	1
XL-DSP8	800	758	0,95	1
XL-DSP10	1000	958	1,21	1
XL-DSP12	1200	1158	1,47	1

