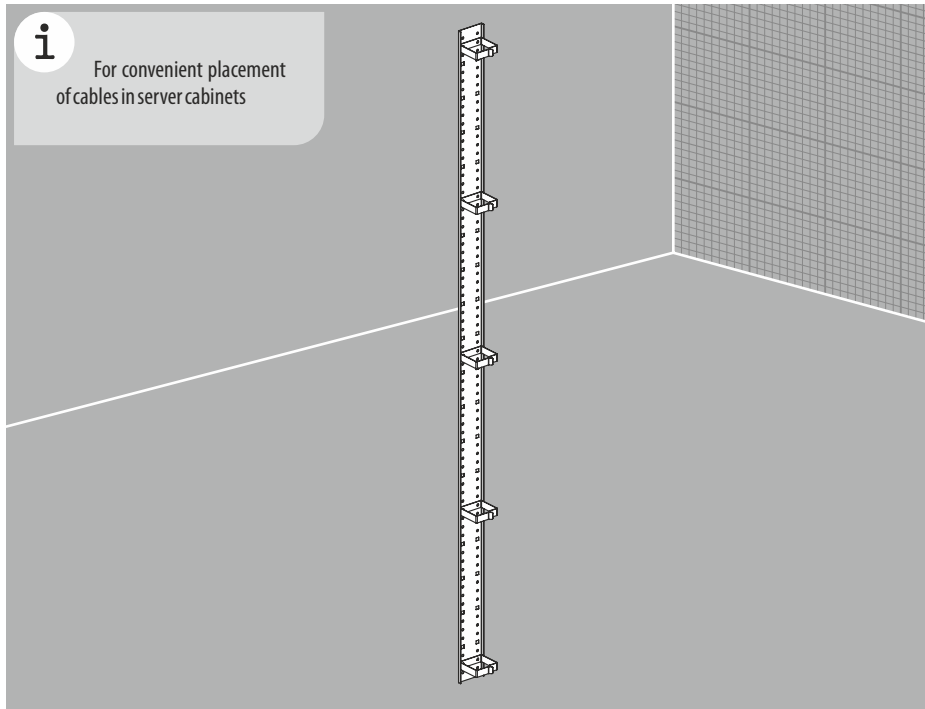




Panel with vertical cable organizers PVO



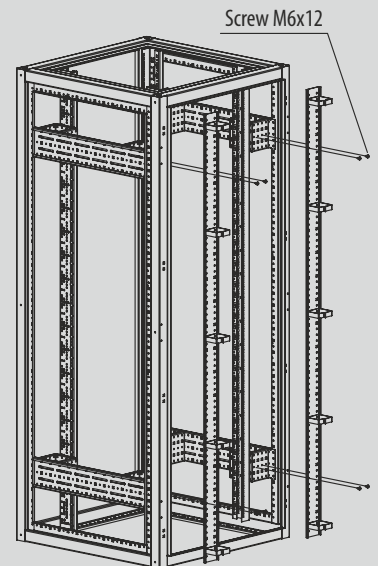
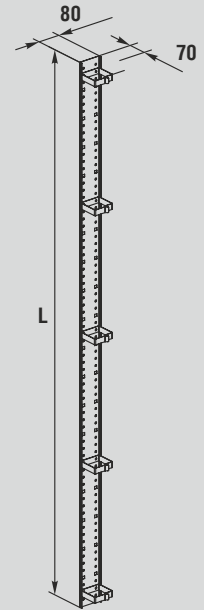
i

For convenient placement of cables in server cabinets

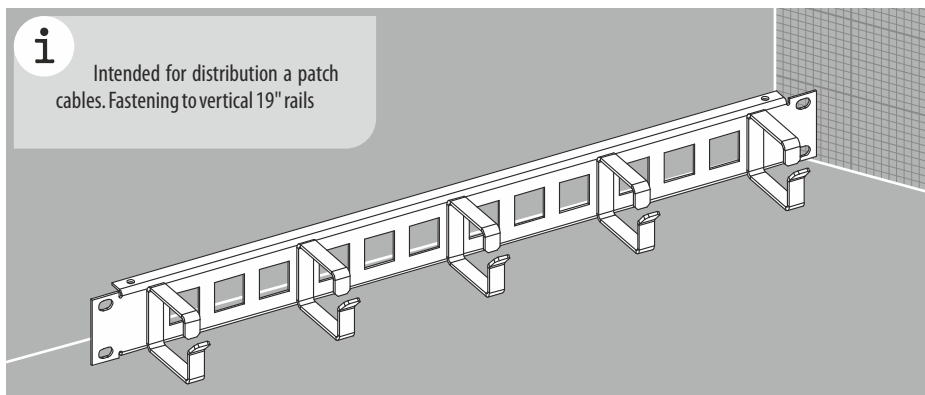
Technical characteristics

- Material:** sheet steel
- Surface:** powder-coated RAL 7035
- Supply includes:** panel with vertical cable organizers + installation set, packaging

Order No.	Dimensions (enclosure), mm		Height (panel) L, mm	Weight, kg	Packaging unit, piece
	HE	Height, mm			
PVO-20	42	2000	1900	1,81	1
PVO-22	46	2200	2100	1,95	1



Panel with cable organizers P019



i

Intended for distribution a patch cables. Fastening to vertical 19" rails

Technical characteristics

- Material:** sheet steel
- Surface:** powder-coated RAL 7035
- Supply includes:** panel with cable organizers + installation kit, packaging

Order No.	Montage-Height, HE	Dimensions (ring), mm	Weight, kg	Packaging unit, piece
P019-1U	1	40x60	0,84	2

