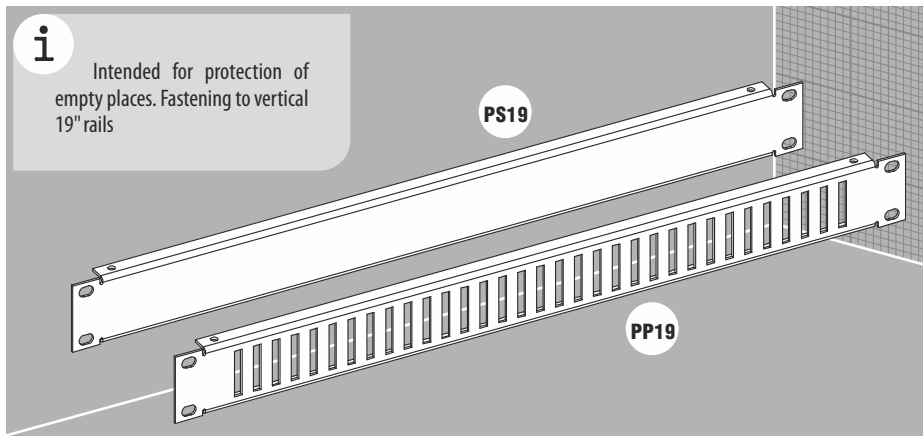




Punched sectional panels P S19, PP19

i

Intended for protection of empty places. Fastening to vertical 19" rails

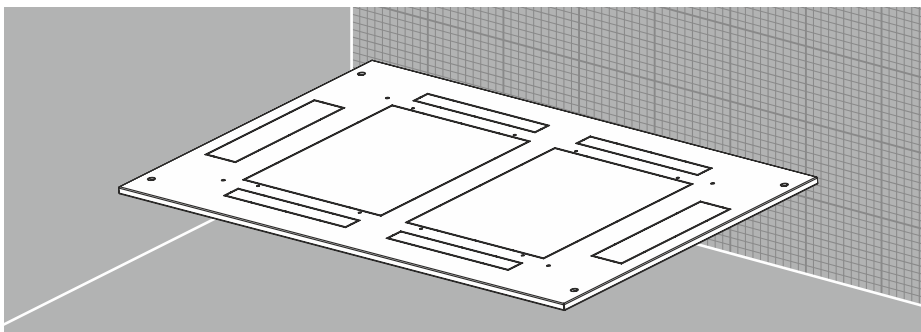


Technical characteristics

Material: sheet steel
Surface: powder-coated RAL 7035
Supply includes: panel + installation set, packaging

Order No.	Montage-Height, HE	Weight, kg	Packaging unit, piece
PS19-1U	1	0,714	2
PS19-2U	2	1,260	2
PS19-3U	3	1,785	2
PS19-6U	6	3,381	2
PP19-1U	1	0,609	2
PP19-2U	2	1,008	2
PP19-3U	3	1,407	2
PP19-6U	6	2,646	2

Universal panel for fans set XL-PUBV



Order No.	Dimensions (enclosure)		Dimensions (panel)		Weight, kg	Packaging unit, piece
	Width, mm	Depth, mm	B, mm	C, mm		
XL-PUBV66	600	600	496	496	2,31	1
XL-PUBV68	600	800	496	696	3,36	1
XL-PUBV610	600	1000	496	896	4,05	1
XL-PUBV612	600	1200	496	1096	4,90	1
XL-PUBV88	800	800	696	696	4,35	1
XL-PUBV810	800	1000	696	896	5,57	1
XL-PUBV812	800	1200	696	1096	6,71	1

Technical characteristics

Material: steel
Surface: powder-coated RAL 7035
Supply includes: panel for the fan block + installation kit, packaging

