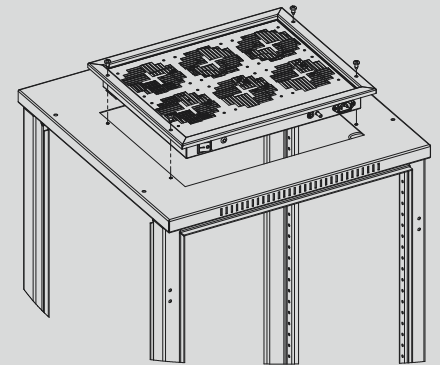
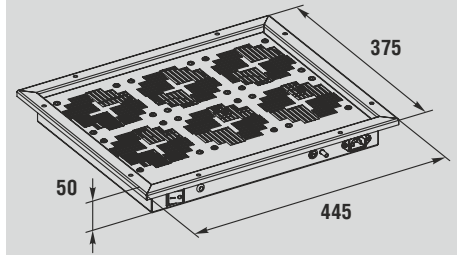
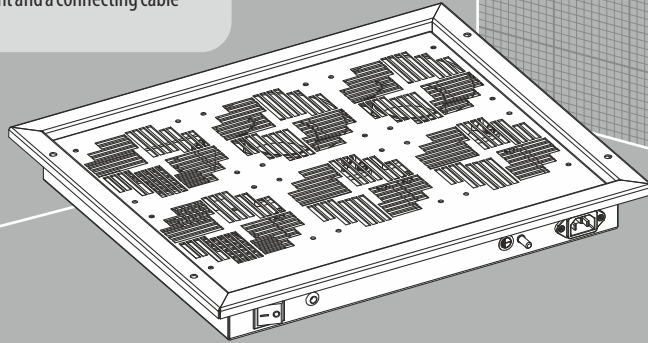




Fans set BV

i

Is suitable for installation on the top part of an enclosure. Equipped with two, four or six fans, the switch with illumination, protection on current and a connecting cable



Technical characteristics

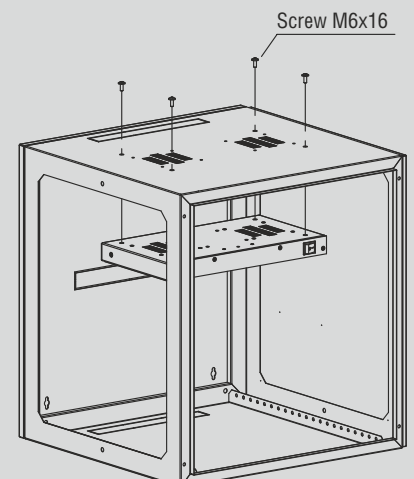
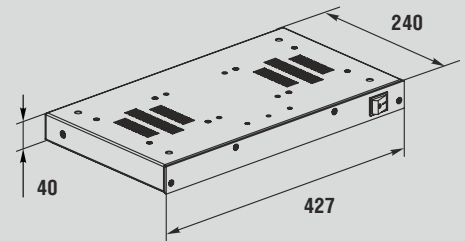
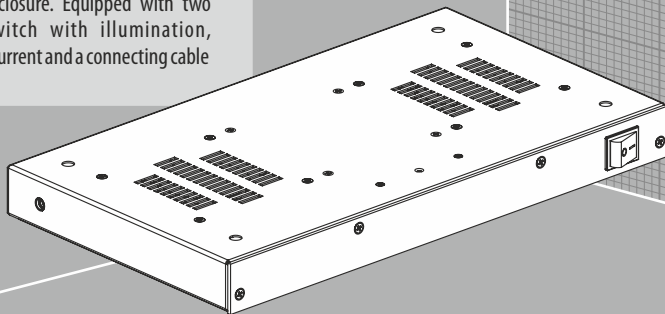
Protection degree: IP20
Material: steel
Surface: powder-coated RAL 7035
Supply includes: fan block, installation kit, packaging
Temperature range: from -10°C to +50°C
Working voltage: 230/50V/Hz

Order No.	Free Blowing m ³ /h	Number (fan), piece	Macht, W	I _n , mA
BV-2	330	2	44	320
BV-4	660	4	66	640
BV-6	990	6	88	960
BVN-2	330	2	44	320
BV19-2	330	2	44	320
BV19-3	495	3	66	480

Fans set BVN

i

Is suitable for installation on the top part of an enclosure. Equipped with two fans, the switch with illumination, protection on current and a connecting cable



Technical characteristics

Protection degree: IP20
Material: steel
Surface: powder-coated RAL 7035
Supply includes: fan block, installation kit, packaging
Temperature range: from -10°C to +50°C
Working voltage: 230/50V/Hz