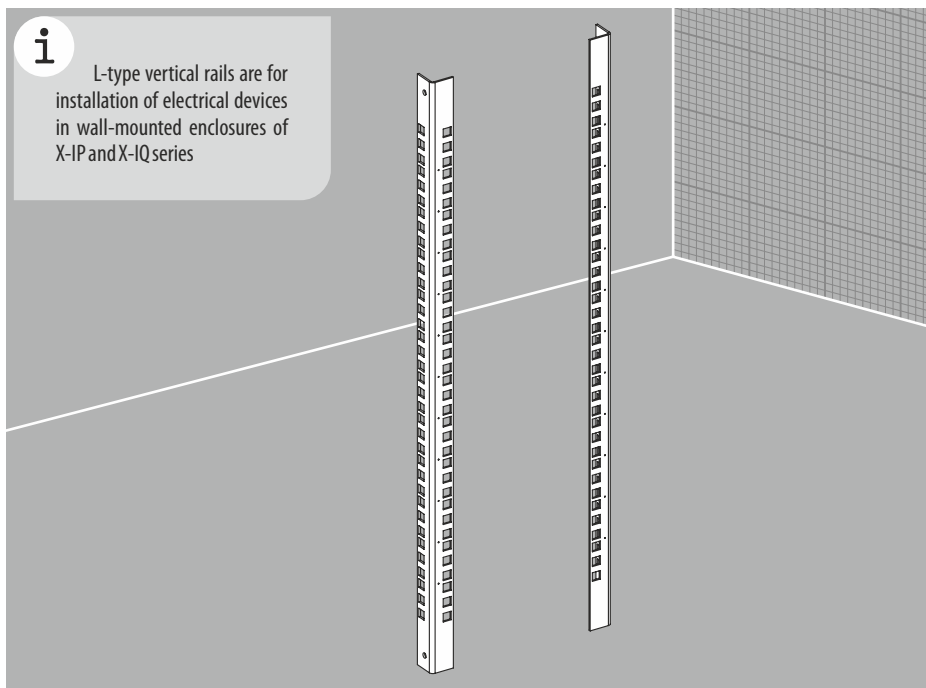




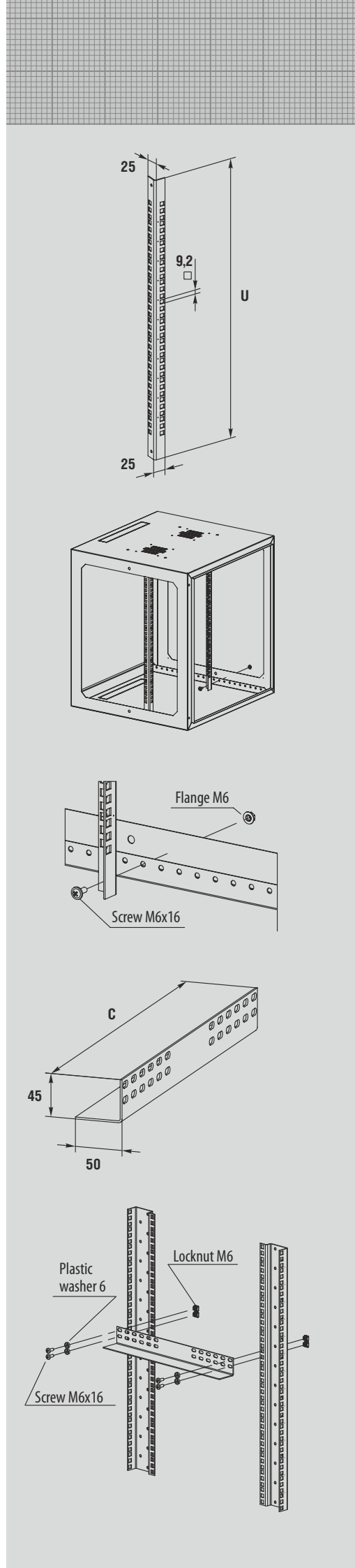
Corner X-U19



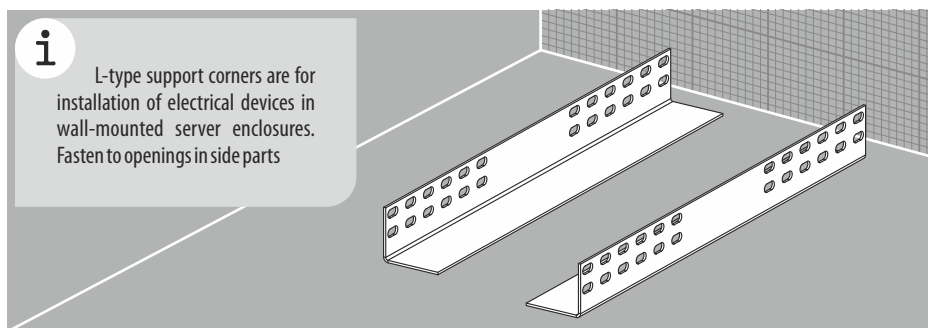
Technical characteristics

Material: sheet steel
Surface: zinc-plated
Supply includes: corner, 2 pcs.
 + mounting set, package

Order No.	Montage-Height, HE	Weight, kg	Packaging Unit, piece
U19-4U	4	0,28	2
U19-6U	6	0,40	2
U19-9U	9	0,56	2
U19-12U	12	0,74	2
U19-15U	15	0,84	2
U19-18U	18	0,94	2



Support corner U0



Technical characteristics

Material: sheet steel
Surface: zinc-plated
Supply includes: corner, 2 pcs.
 + mounting set, package

Order No.	Length (rail) C, mm	Weight, kg	Packaging Unit, piece
U0-4	400	1,08	2
U0-6	600	1,66	2
U0-8	800	2,24	2
U0-10	1000	2,80	2
U0-12	1200	3,40	2