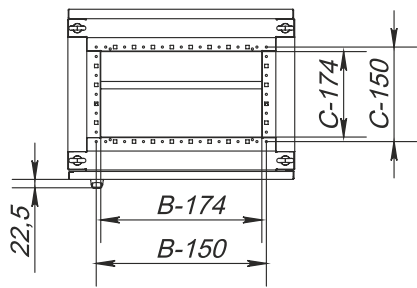
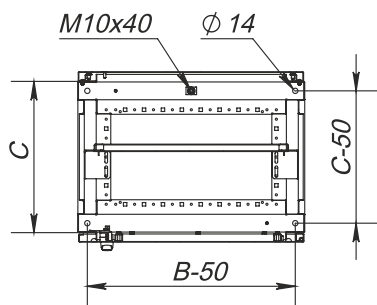


Top view (without the top panel)



Top view, section



Mounting plate

