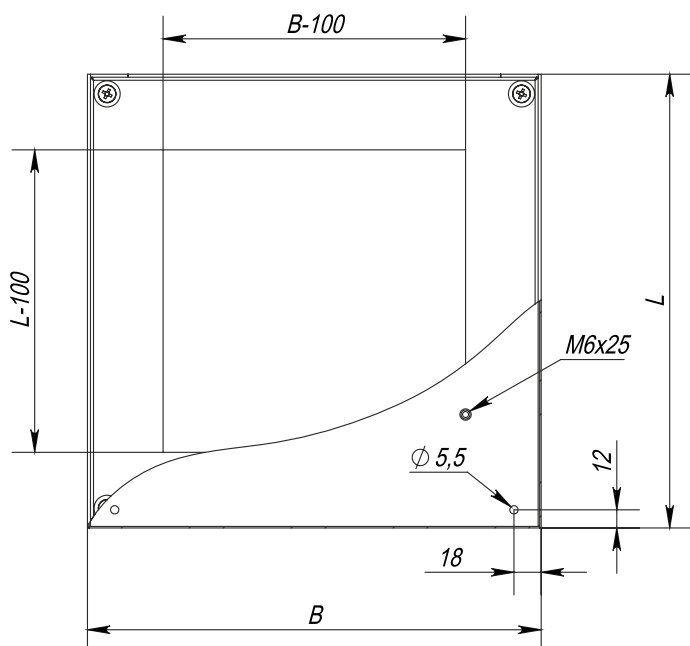
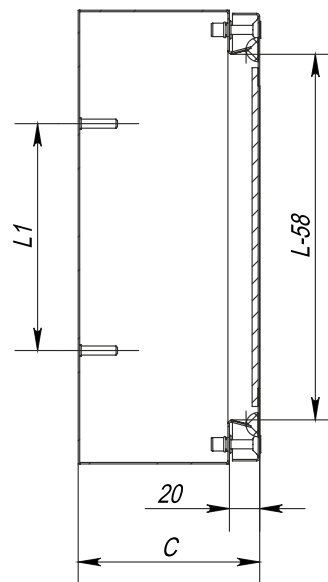


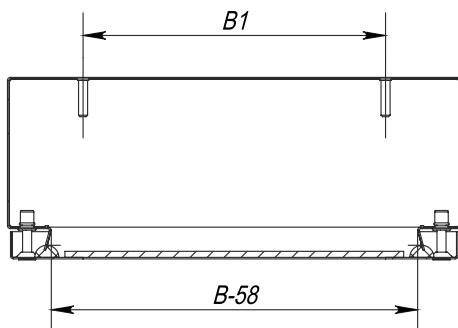
**Front view**



**Left-side view, section**



**Top view, section**



Dimensions (Gehäuse)			Useful Depth, mm	Weight, kg	Order No.	
Height L, mm	Width B, mm	Depth C, mm				
200	200	120	99	1,6	<b>SV55-221</b>	<b>SSV55-221</b>
200	300	120	99	2,2	<b>SV55-231</b>	<b>SSV55-231</b>
200	400	120	99	2,8	<b>SV55-241</b>	<b>SSV55-241</b>
300	300	120	99	3,1	<b>SV55-331</b>	<b>SSV55-331</b>
300	400	120	99	3,9	<b>SV55-341</b>	<b>SSV55-341</b>
300	600	120	99	5,4	<b>SV55-361</b>	<b>SSV55-361</b>
400	400	120	99	4,9	<b>SV55-441</b>	<b>SSV55-441</b>
400	600	120	99	6,8	<b>SV55-461</b>	<b>SSV55-461</b>
400	800	120	99	8,6	<b>SV55-481</b>	<b>SSV55-481</b>