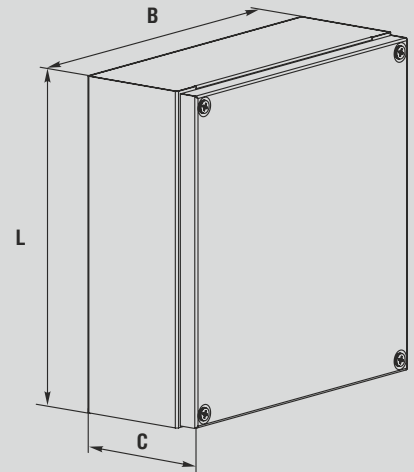
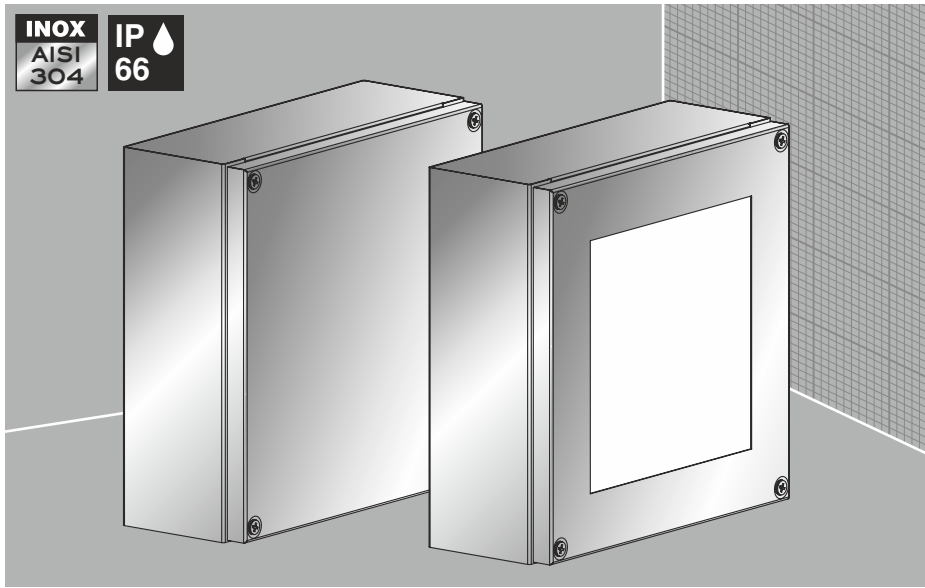




Wall mounted enclosures from stainless steel SS66, SSV55

INOX
AISI 304

IP
66



Technical characteristics

- Protection degree:** IP66, IK10
- Un, B:** 1000
- In, A:** 100
- Load, kg:** —
- Type of construction:** welded enclosure
- Material:** enclosure and cover: stainless steel
- Surface:** enclosure and cover: brushed, grain 180
- Sealing:** cover: all-round foamed-in PU seal
- Lock:** —
- Hinge:** —
- Supply includes:** enclosure, cover, packing
- Options:** special dimensions, AISI 316L
- Accessories:** detailed information look **System Accessories**
- Drawing:** page №106, 107

SS66

Height L, mm	Width B, mm	Depth C, mm	Order No.
150	150	120	SS66-111
150	200	120	SS66-121
150	300	120	SS66-131
200	200	120	SS66-221
200	300	120	SS66-231
200	400	120	SS66-241
300	300	120	SS66-331
300	400	120	SS66-341
300	600	120	SS66-361
400	400	120	SS66-441
400	600	120	SS66-461
400	800	120	SS66-481

SSV55

Height L, mm	Width B, mm	Depth C, mm	Order No.
200	200	120	SSV55-221
200	300	120	SSV55-231
200	400	120	SSV55-241
300	300	120	SSV55-331
300	400	120	SSV55-341
300	600	120	SSV55-361
400	400	120	SSV55-441
400	600	120	SSV55-461
400	800	120	SSV55-481

