



***kub***

ideale Formen

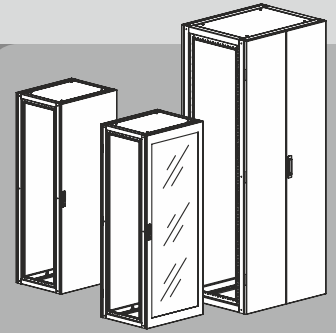
**FREE  
PROJECTION  
ENCLOSURES**

**TECHNICAL CATALOGUE**  
PRODUCTION PROGRAM  
**2018**

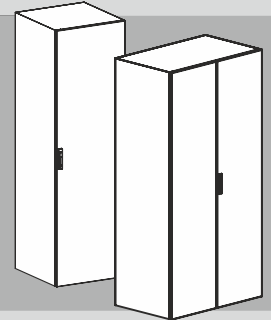
# PRODUCT OVERVIEW

<b>Enclosures for automation and power distribution</b> .....	<b>5</b>
Power distribution enclosures XL.....	6
XL55.....	7
XLD55.....	8
XLV55.....	9
XLA55.....	10
XLG55.....	11
Power distribution enclosures XM.....	12
XM66.....	13
XMD55.....	14
<b>Compact enclosures for automation</b> .....	<b>15</b>
Compact enclosures.....	16
L66.....	17
LV55.....	18
LD55.....	19
LDD66.....	20
S66, SV55.....	21
M.....	23
<b>Console systems</b> .....	<b>24</b>
XLPUit.....	25
XMPUit.....	26
IPC-Console.....	27
IPC-Console with mounting plate.....	27
<b>IT enclosure systems</b> .....	<b>28</b>
19" Server enclosures with viewing door.....	29
XL-IT, XL55-IT.....	30
19" Server enclosures.....	31
XL-ID.....	32
XL-3D.....	33
XL-IDC.....	34
19" IT racks.....	36
X-I, X-IC.....	37
19" Wall-mounted enclosures.....	38
X-IP.....	39
X-IQ.....	40
Climate wall-mounted enclosures.....	41
X-CC.....	42
<b>Stainless steel enclosures</b> .....	<b>44</b>
XLS55.....	46
XLD55.....	47
XMS66.....	48
XMDS55.....	49
LS66.....	50
SS66, SSV55.....	51
XLS-IT.....	52
XS-IP.....	53
XLSPUit.....	54
Plinth XLS-CB, XLS-CBV, XLS-CT.....	55
Rain roof XLS-DK, LS-DK.....	56

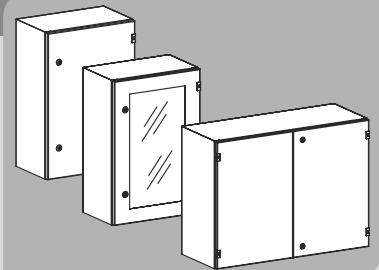
XL



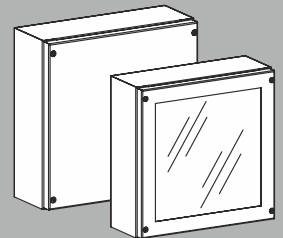
XM



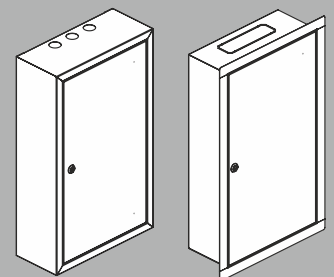
L



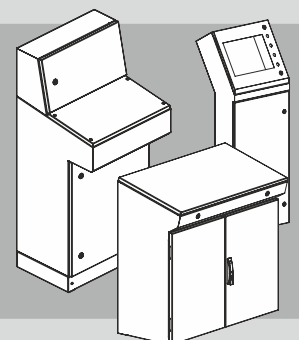
S  
SV



M

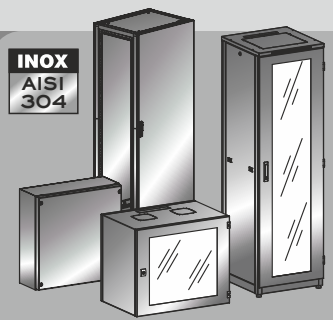


XLPUit  
IPC-  
Halter

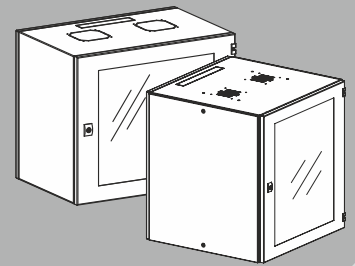


<b>System accessories</b> .....	<b>57</b>
Plinth XL-CB, XL-CBV, XL-CT .....	58
Rain roof XL-DK, L-DK, CC-DK.....	59
Side walls XL55-SB.....	60
Side walls XLIT-SB.....	61
Connection set SK-XL55, SK-IC .....	62
Mounting plate XL-PM .....	63
Mounting plate infill XL-PM.....	64
Mounting corner XL-UM1, XL-UM2.....	64
Partial mounting plate XL-MM.....	65
Vertical rail XL-RV.....	66
Mounting rail XL-RM .....	67
Horizontal rail XL-RH .....	68
Universal corner XL-UU.....	68
Mounting shelf XL-PA .....	69
Sectional panel XL-PS.....	70
Bottom protection XL-ZD, XL-UZD, XL-SZDZ, XL-UZDC.....	71
Mounting corner for XL-RS .....	72
Document holder XL-KM .....	73
Information panel XL-PI .....	74
Eyebolts XL-RB .....	74
Swing frame XL-RP.....	75
Set of accessories KPM .....	75
Support rails XL-MS.....	76
Cable channels SL, GL.....	76
Grounding set KZ-L .....	77
Cable glands V-RM .....	77
Mounting brackets SML .....	77
Door-system for Data Center 3D-SDR .....	78
Roof panel for Data Center 3D-PS .....	79
Sectional decorative panels XL-DSP.....	79
Air limiter panel POP, POP-3 .....	80
Panel with vertical cable organizers PVO.....	81
Panel with cable organizers P019 .....	81
Punched sectional panels PS19, PP19 .....	82
Universal panel for fans set XL-PUBV.....	82
Hinged fans set BVN.....	83
Protection for fans block ZB.....	83
Fans set BV19, BV .....	84
Shelf's PP-PK, PV-PK.....	85
Distribution box KR .....	86
Grounding KZ19, KZV .....	86
Document box YA19 .....	87
Mounting plate X-PM.....	87
Corner X-U19.....	88
Support corner UO.....	88
Screws VS6.....	89
Fixing set KK6.....	89
Tape measure MKL-46U.....	89
Edge protection ZK.....	90
Brushed cable entry KV .....	90
<b>Drawings</b> .....	<b>91</b>
<b>Technical information</b> .....	<b>130</b>

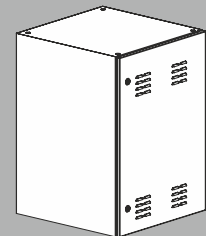
**XLS  
XMS  
LS  
XS  
SS  
XLSPUIt**



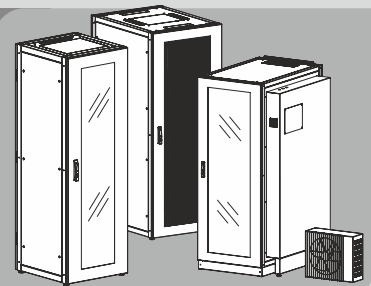
**X-IP  
X-IQ**



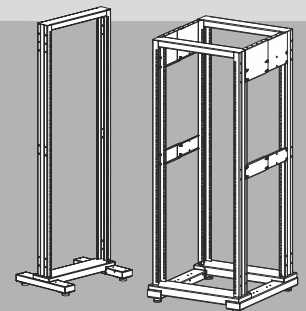
**X-CC**



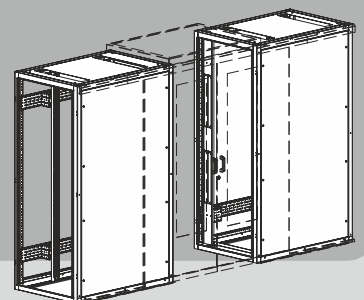
**XL-IT  
XL-ID  
XL-IDC**

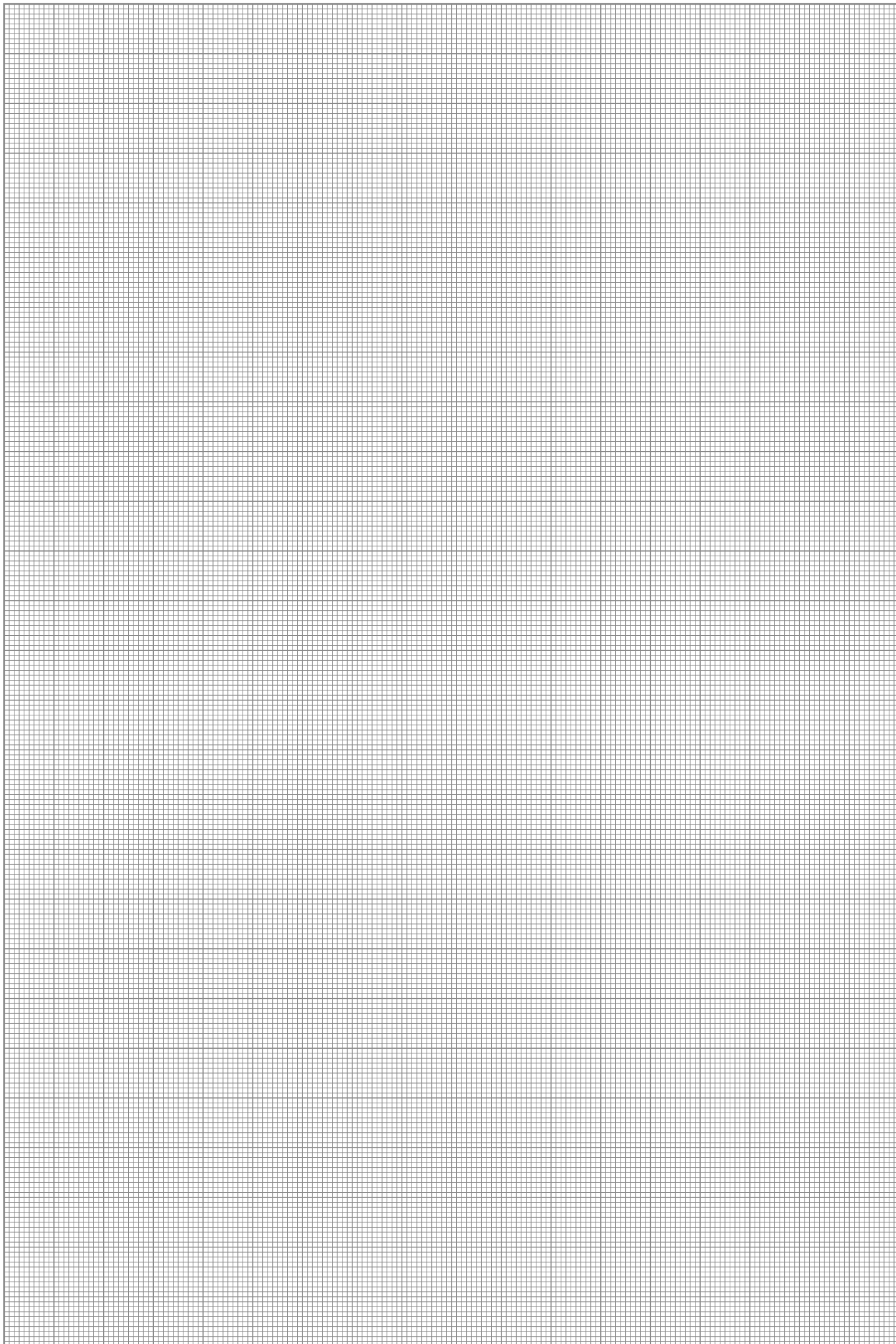


**X-I  
X-IC**



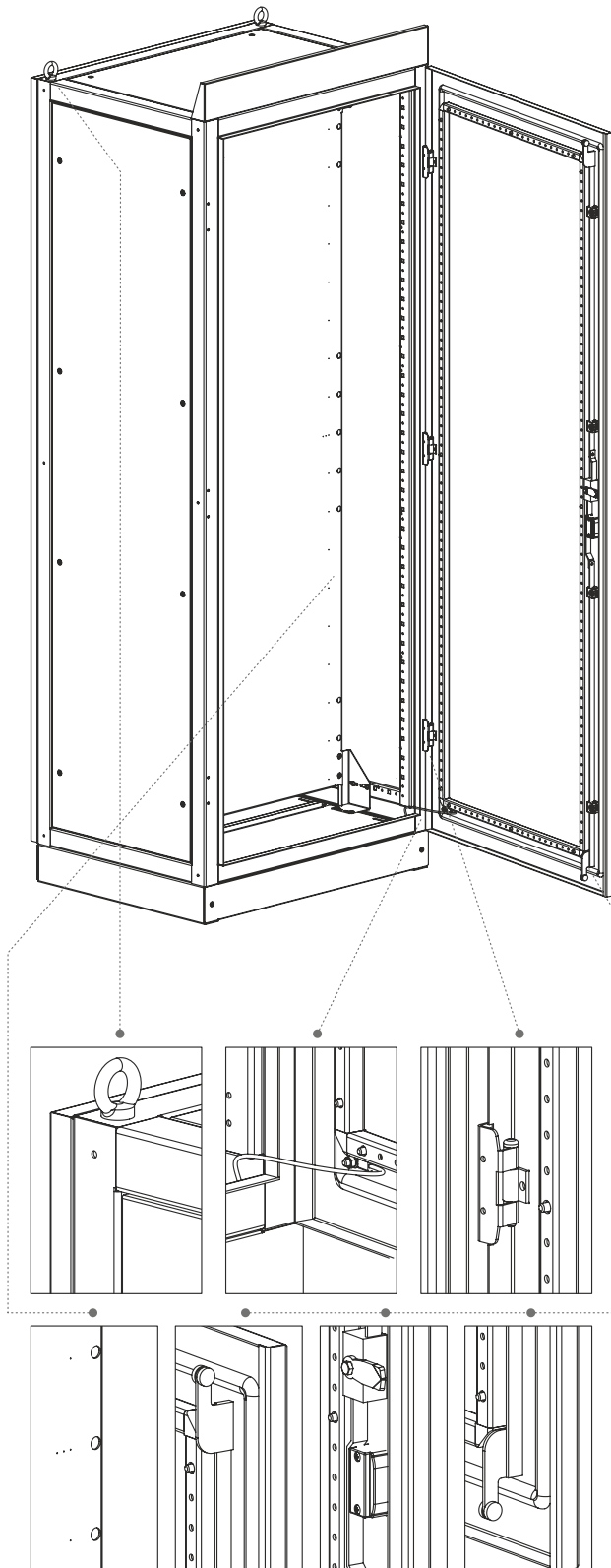
**XL-3D**







## ENCLOSURES FOR AUTOMATION AND POWER DISTRIBUTION



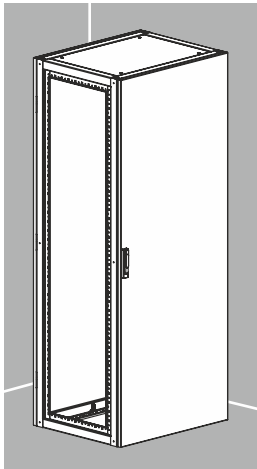
### Power distribution enclosures XL

Enclosure system XL represents a full set of steel frame cabinets for control systems and protection of electrotechnical and automation devices for distribution of electric energy. Enclosure systems have found application in such areas as: power distribution, automation, food and chemical industry and also in the areas with modern methods of automation of manufacturing; civil engineering and infrastructures.

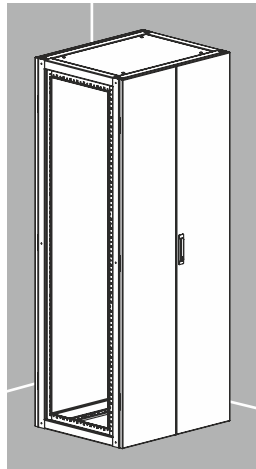
### Enclosures are designed according to the following requirements of panel builders:

- Wide choice of standard sizes
- Protection degree IP55
- Resistance to external mechanical influence of not less IK08
- The welded enclosure is made completely of a steel sheet 1,5 / 2,0 mm thick and punched with a step of 25 mm for installation of the equipment
- The door is made of steel 1,5 / 2,0 mm thick, the roof panel, back and sidewalls from steel 1,2 mm thick. Doors can be steel continuous, two-fold or with an insert from the tempered glass 4,0 mm thick
- Reversible doors with the three-point lock with double-bit and the strengthening frame from a galvanized pipe with openings for installation, with the angle of opening to 120°
- The back wall can be replaced with a door.
- The symmetry of enclosures allows to connect frames simply and quickly – at the left, on the right
- Existence in the lower part of a framework of an opening with mobile galvanized panels (protection of the bottom) intended for input of cables
- A possibility of installation of a cabinet on a plinth 100 and 200 mm high
- All-round foamed-in PU seal against mechanical deformation and influence of the external environment
- Galvanized assembly plates and panels with a marking for positioning of the equipment
- All details of a cabinet are equipped with grounding plugs
- For convenience of the installation and equipment maintenance established in a cabinet, the design gives the chance of access from four parties through a door, removable back and sidewalls
- The anticorrosive covering is reached by phosphatization operation, and the decorative covering is executed by wear proof powder paint of light gray color (RAL7035)
- The permissible load of 800 kg
- Wide choice of additional options

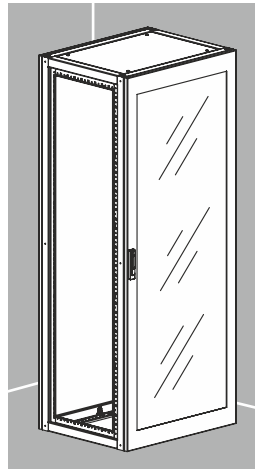
## Power distribution enclosures XL55

**XL55**

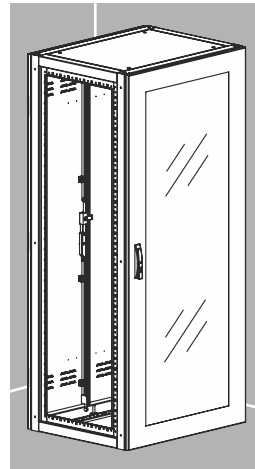
page 7

**XLD55**

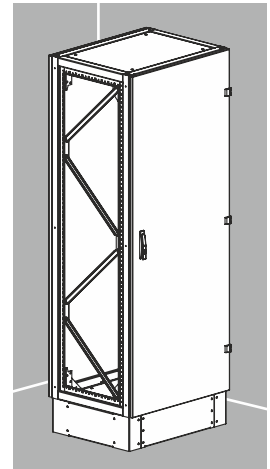
page 8

**XLV55**

page 9

**XLA55**

page 10

**XLG55**

page 11

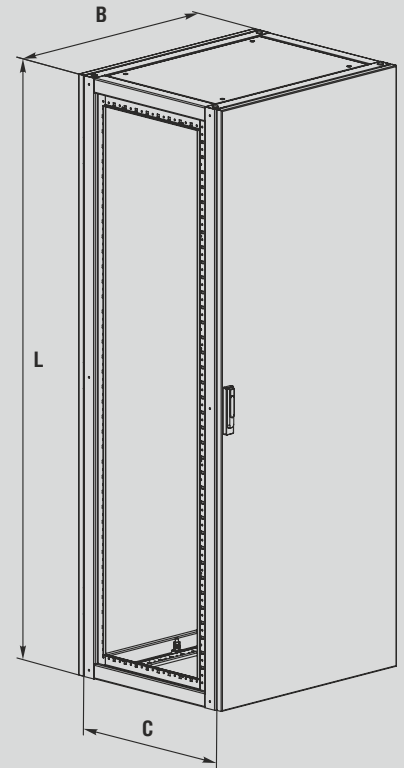
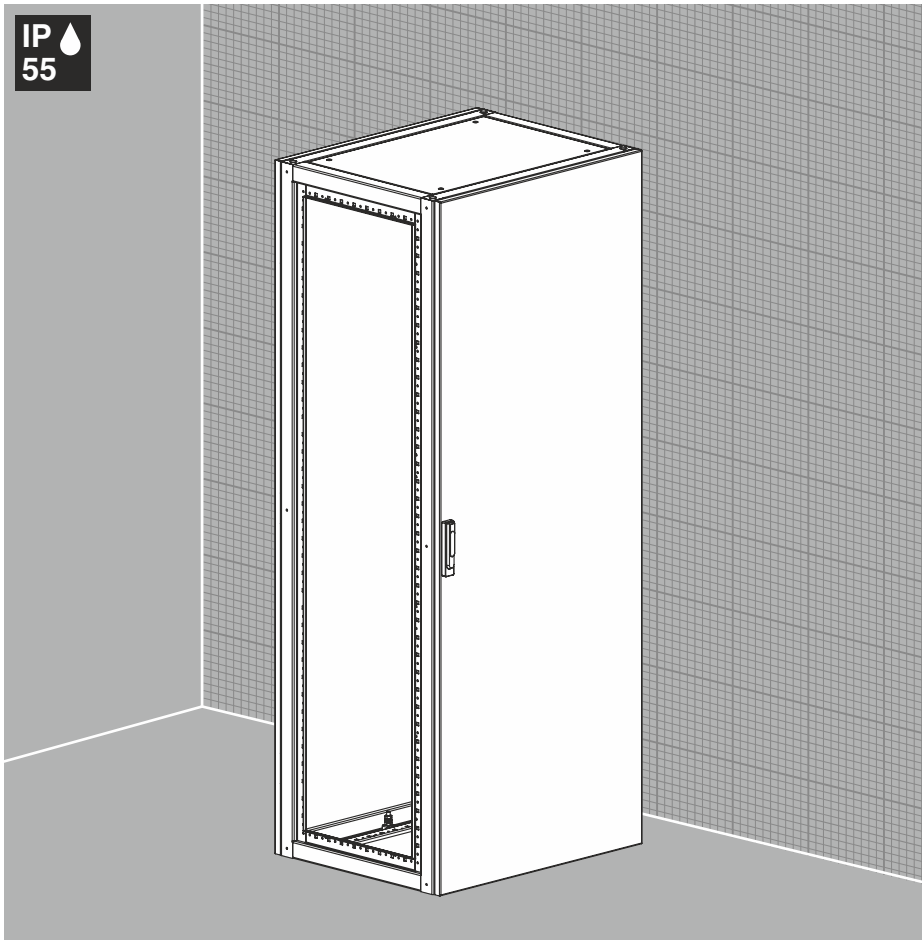
	XL55	XLD55	XLV55	XLA55	XLG55
1	IP55, IK10	IP55, IK10	IP55, IK08	IP55, IK08	IP55, IK10
2	steel 1,5 / 2,0 mm, coloring RAL 7035	steel 1,5 / 2,0 mm, coloring RAL 7035	steel 1,5 / 2,0 mm, coloring RAL 7035	steel 1,5 / 2,0 mm, coloring RAL 7035	steel 1,5 / 2,0 mm, coloring RAL 7035
3	steel 1,5 / 2,0 mm, coloring RAL 7035	steel 1,5 / 2,0 mm, coloring RAL 7035	steel 1,5 / 2,0 mm, coloring RAL 7035	steel 1,5 / 2,0 mm, coloring RAL 7035	steel 1,5 / 2,0 mm, coloring RAL 7035
4	steel 1/1,2 mm, coloring RAL 7035	steel 1/1,2 mm, coloring RAL 7035	steel 1/1,2 mm, coloring RAL 7035	steel 1/1,2 mm, coloring RAL 7035	steel 1/1,2 mm, coloring RAL 7035
5	standard	standard	standard	standard	standard
6	possible	possible	possible	possible	possible
7	possible	possible	possible	possible	possible

1 - protection degree, 2 - framework, 3 - door, 4 - side walls, back walls, roof panel, 5 - accessories, 6 - special coloring, 7 - special dimensions



# Power distribution enclosures XL55

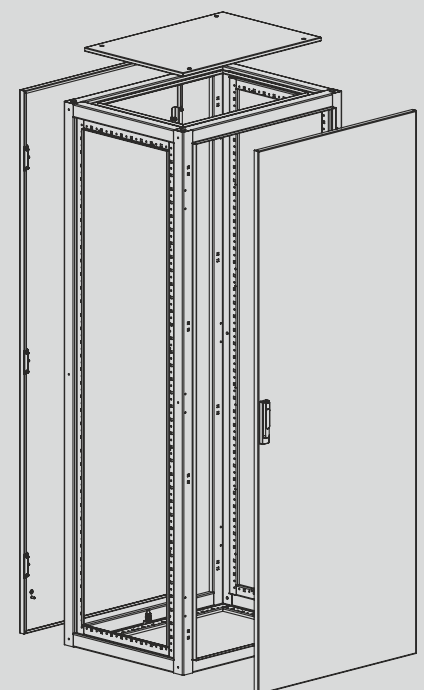
**IP 55**



## Technical characteristics

- Protection degree:** IP55, IK10
- Un, B:** 1000
- In, A:** 2500
- Load, kg:** 800
- Type of construction:** welded framework of steel frames
- Material:** framework: sheet steel;  
door: sheet steel;  
walls: sheet steel
- Surface:** framework, door and walls: RAL 7035  
structured powder coating
- Sealing:** door, walls, roof panel: all-round  
foamed-in PU seal
- Lock:** 3 mm double-bit
- Hinge:** mounted with 120° opening.
- Supply includes:** framework with roof panel, door with  
lock, back wall, grounding set, key,  
packing.
- Options:** special coloring, special dimensions
- Accessories:** detailed information look  
**System Accessories**
- Drawing:** page №88

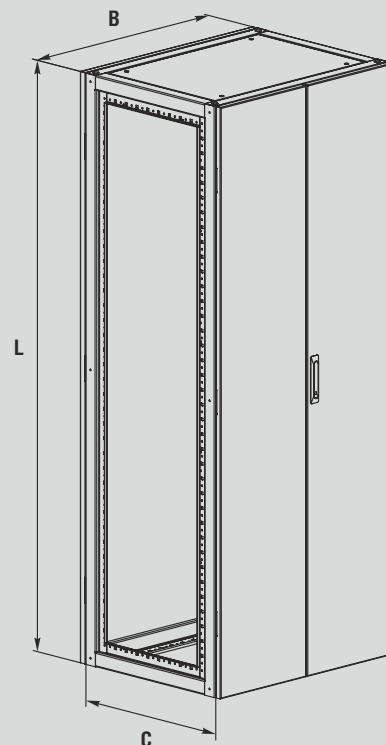
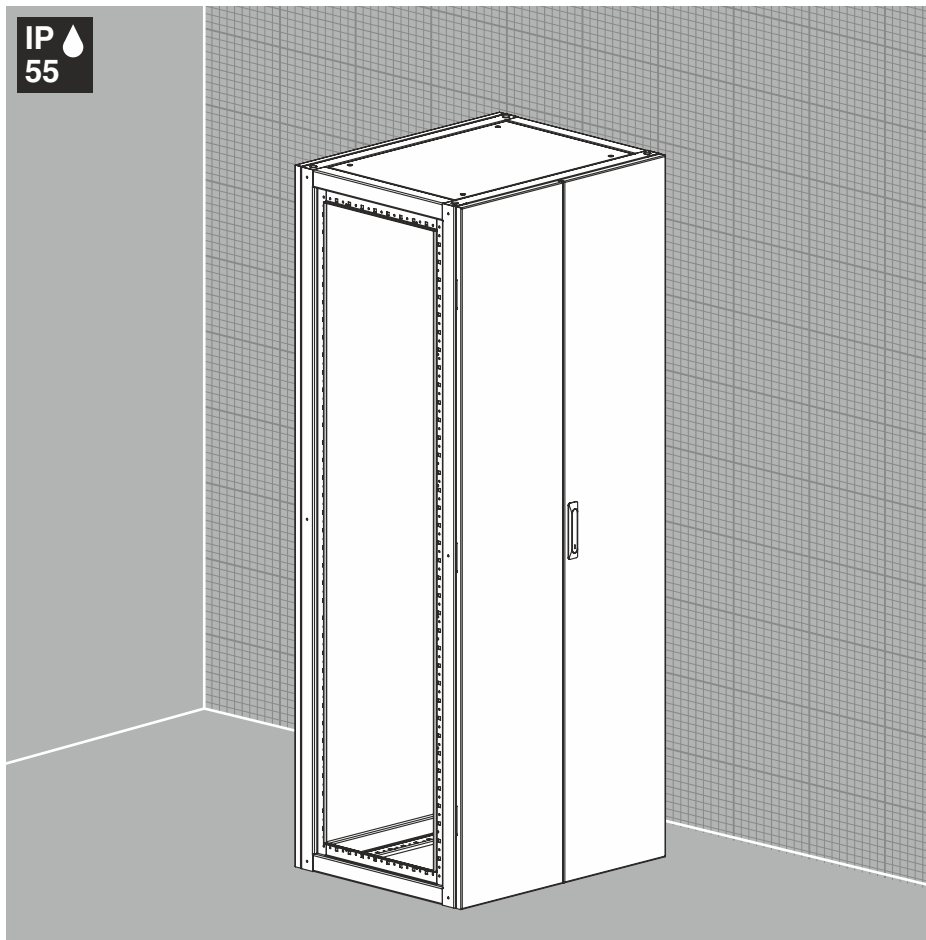
Height L, mm	Width B, mm	Depth C, mm	Order No.
1400	600	400	<b>XL55-1464</b>
1400	600	600	<b>XL55-1466</b>
1400	800	400	<b>XL55-1484</b>
1400	800	600	<b>XL55-1486</b>
1600	600	400	<b>XL55-1664</b>
1600	600	600	<b>XL55-1666</b>
1600	800	400	<b>XL55-1684</b>
1600	800	600	<b>XL55-1686</b>
1800	600	400	<b>XL55-1864</b>
1800	600	600	<b>XL55-1866</b>
1800	800	400	<b>XL55-1884</b>
1800	800	600	<b>XL55-1886</b>
1800	800	800	<b>XL55-1888</b>
2000	400	400	<b>XL55-2044</b>
2000	400	600	<b>XL55-2046</b>
2000	600	400	<b>XL55-2064</b>
2000	600	600	<b>XL55-2066</b>
2000	600	800	<b>XL55-2068</b>
2000	800	400	<b>XL55-2084</b>
2000	800	600	<b>XL55-2086</b>
2000	800	800	<b>XL55-2088</b>
2200	600	400	<b>XL55-2264</b>
2200	600	600	<b>XL55-2266</b>
2200	800	400	<b>XL55-2284</b>
2200	800	600	<b>XL55-2286</b>
2200	800	800	<b>XL55-2288</b>





# Power distribution enclosures XLD55

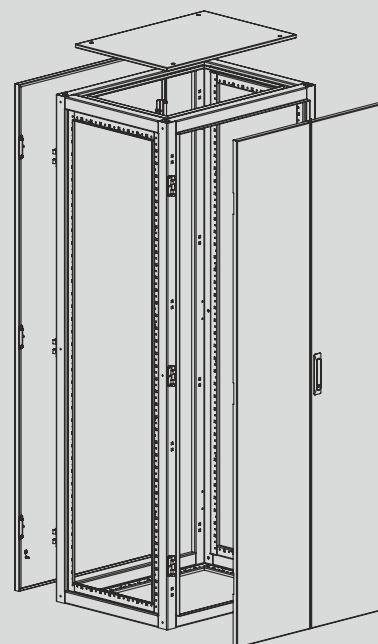
IP  
55



## Technical characteristics

- Protection degree:** IP55, IK10
- Un, B:** 1000
- In, A:** 2500
- Load, kg:** 800
- Type of construction:** welded framework of steel frames
- Material:** framework: sheet steel;  
door: sheet steel;  
walls: sheet steel
- Surface:** framework, door and walls:  
RAL 7035 structured powder coating
- Sealing:** door, walls, roof panel: all-round  
foamed-in PU seal
- Lock:** 3 mm double-bit
- Hinge:** mounted with 120° opening
- Supply includes:** framework with roof panel, double leaf  
door with lock, back wall, grounding  
set, key, packing
- Options:** special coloring, special dimensions
- Accessories:** detailed information look  
**System Accessories**
- Drawing:** page №90

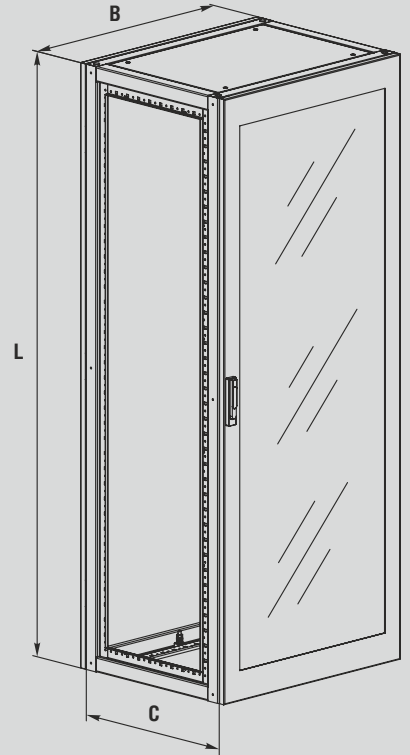
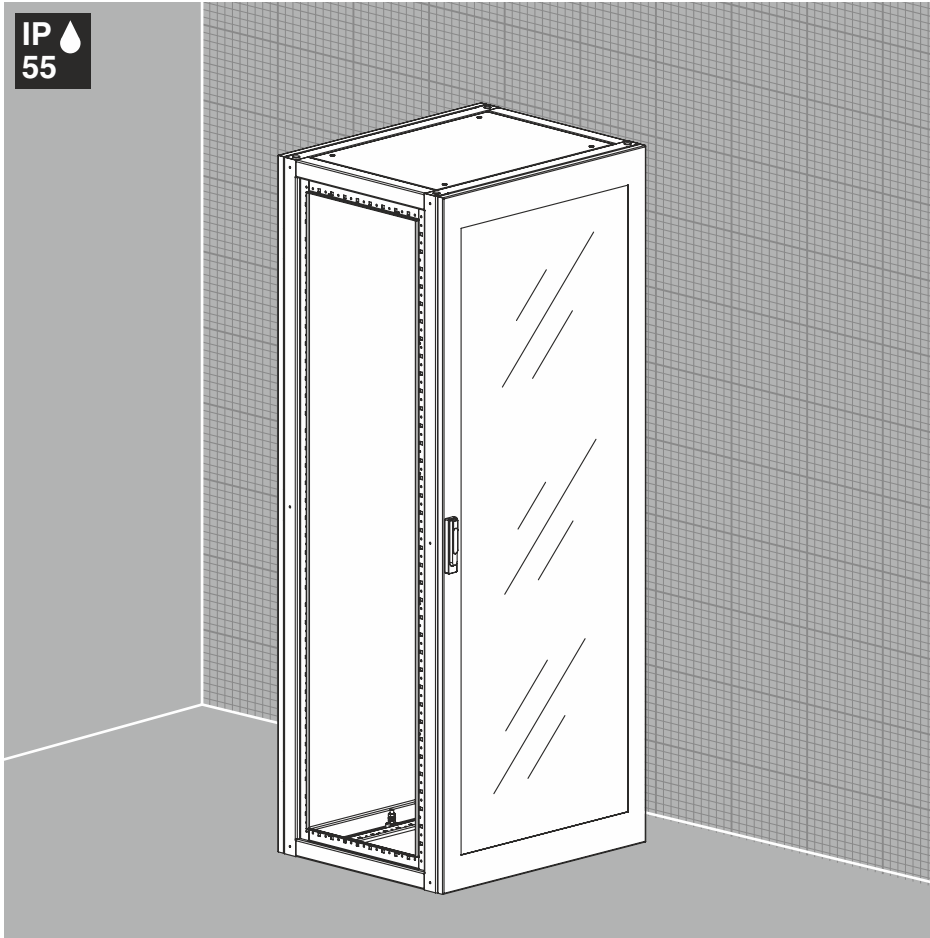
Height L, mm	Width B, mm	Depth C, mm	Order No.
1800	1000	400	XLD55-18104
1800	1000	600	XLD55-18106
1800	1000	800	XLD55-18108
1800	1200	400	XLD55-18124
1800	1200	600	XLD55-18126
1800	1200	800	XLD55-18128
2000	1000	400	XLD55-20104
2000	1000	600	XLD55-20106
2000	1000	800	XLD55-20108
2000	1200	400	XLD55-20124
2000	1200	600	XLD55-20126
2000	1200	800	XLD55-20128
2200	1000	400	XLD55-22104
2200	1000	600	XLD55-22106
2200	1000	800	XLD55-22108
2200	1200	400	XLD55-22124
2200	1200	600	XLD55-22126
2200	1200	800	XLD55-22128







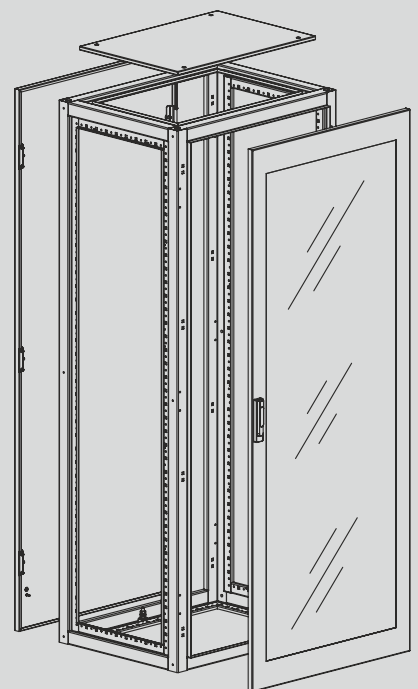
# Power distribution enclosures XLV55



## Technical characteristics

- Protection degree:** IP55, IK10
- Un, B:** 1000
- In, A:** 2500
- Load, kg:** 800
- Type of construction:** welded framework of steel frames
- Material:** framework: sheet steel;  
door: sheet steel, strained glass;  
walls: sheet steel
- Surface:** framework, door and walls: RAL 7035  
structured powder coating
- Sealing:** door, walls, roof panel: all-round  
foamed-in PU seal
- Lock:** 3 mm double-bit
- Hinge:** mounted with 120° opening
- Supply includes:** framework with roof panel, door with  
lock, back wall, grounding set, key,  
packing.
- Options:** special coloring, special dimensions
- Accessories:** detailed information look  
**System Accessories**
- Drawing:** page №92

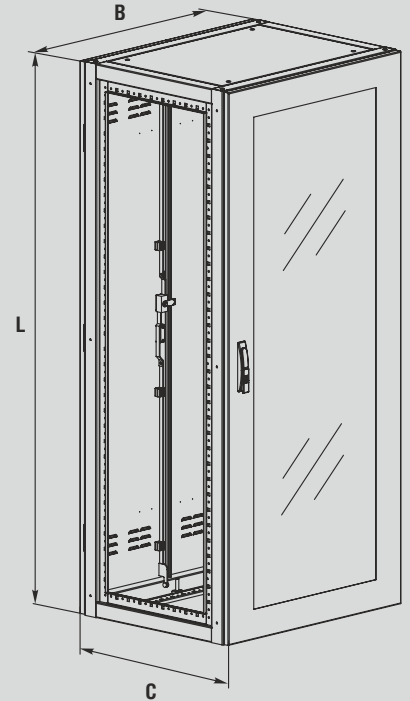
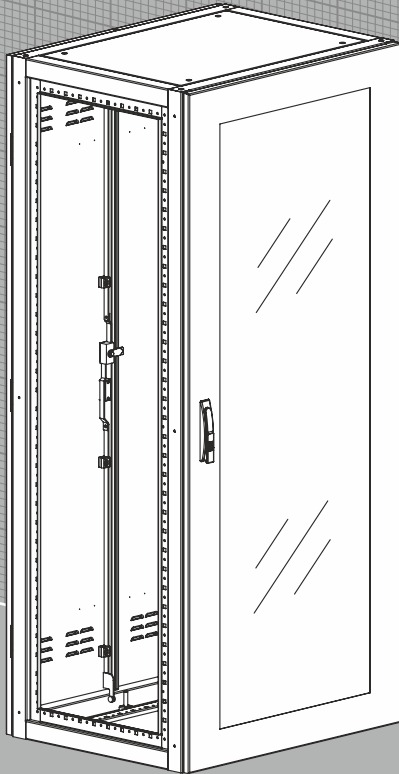
Height L, mm	Width B, mm	Depth C, mm	Order No.
1400	800	600	<b>XLV55-1486</b>
1600	800	600	<b>XLV55-1686</b>
1800	800	600	<b>XLV55-1886</b>
1800	800	800	<b>XLV55-1888</b>
1800	1000	600	<b>XLV55-18106</b>
1800	1000	800	<b>XLV55-18108</b>
1800	1200	600	<b>XLV55-18126</b>
1800	1200	800	<b>XLV55-18128</b>
2000	800	600	<b>XLV55-2086</b>
2000	800	800	<b>XLV55-2088</b>
2000	1000	600	<b>XLV55-20106</b>
2000	1000	800	<b>XLV55-20108</b>
2000	1200	400	<b>XLV55-20124</b>
2000	1200	600	<b>XLV55-20126</b>
2000	1200	800	<b>XLV55-20128</b>
2200	800	600	<b>XLV55-2286</b>
2200	800	800	<b>XLV55-2288</b>
2200	1000	600	<b>XLV55-22106</b>
2200	1000	800	<b>XLV55-22108</b>
2200	1200	600	<b>XLV55-22126</b>
2200	1200	800	<b>XLV55-22128</b>





## Power distribution enclosures XLA55

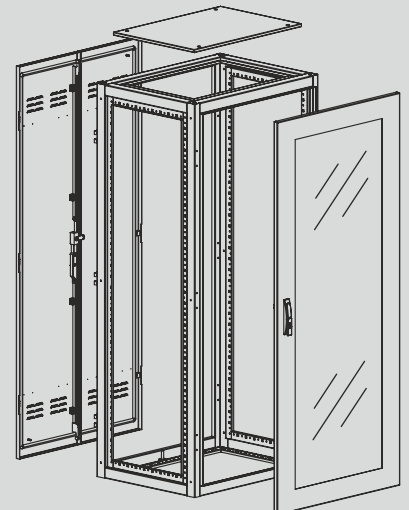
IP  
55



### Technical characteristics

<b>Protection degree:</b>	IP55, IK10
<b>Un, B:</b>	1000
<b>In, A:</b>	2500
<b>Load, kg:</b>	800
<b>Type of construction:</b>	welded framework of steel frames
<b>Material:</b>	framework: sheet steel; door: sheet steel; walls: sheet steel
<b>Surface:</b>	framework, door and walls: RAL 7035 structured powder coating
<b>Sealing:</b>	door, walls, roof panel: all-round foamed-in PU seal
<b>Lock:</b>	3 mm double-bit
<b>Hinge:</b>	mounted with 120° opening
<b>Supply includes:</b>	framework with roof panel, double leaf door with lock, viewing door with lock, back wall, grounding set, key, packing.
<b>Options:</b>	special coloring, special dimensions
<b>Accessories:</b>	detailed information look <b>System Accessories</b>
<b>Drawing:</b>	page №94

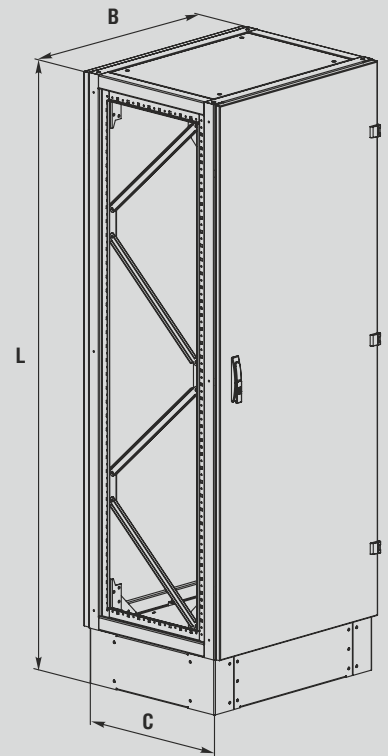
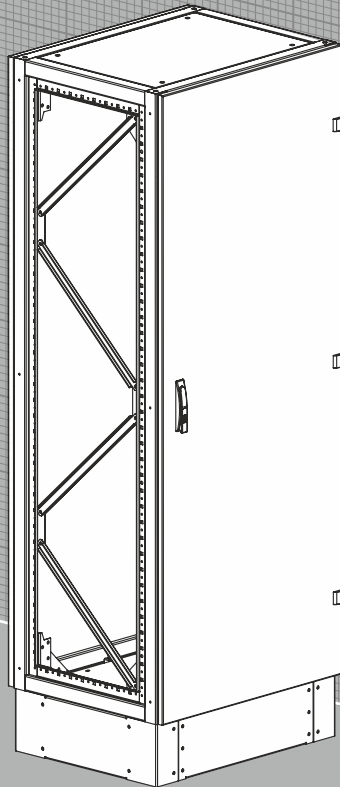
Height L, mm	Width B, mm	Depth C, mm	Order No.
1400	800	600	XLA55-1486
1600	800	600	XLA55-1686
1800	800	600	XLA55-1886
1800	800	800	XLA55-1888
1800	1000	600	XLA55-18106
1800	1000	800	XLA55-18108
1800	1200	600	XLA55-18126
1800	1200	800	XLA55-18128
2000	800	600	XLA55-2086
2000	800	800	XLA55-2088
2000	1000	600	XLA55-20106
2000	1000	800	XLA55-20108
2000	1200	400	XLA55-20124
2000	1200	600	XLA55-20126
2000	1200	800	XLA55-20128
2200	800	600	XLA55-2286
2200	800	800	XLA55-2288
2200	1000	600	XLA55-22106
2200	1000	800	XLA55-22108
2200	1200	600	XLA55-22126
2200	1200	800	XLA55-22128





## Earthquake-resistant power distribution enclosures XLG55

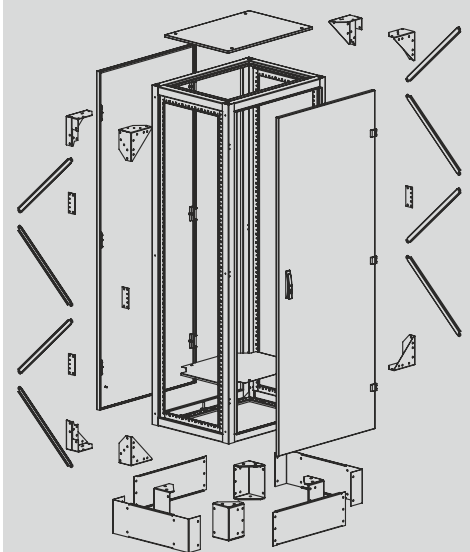
IP  
55



### Technical characteristics

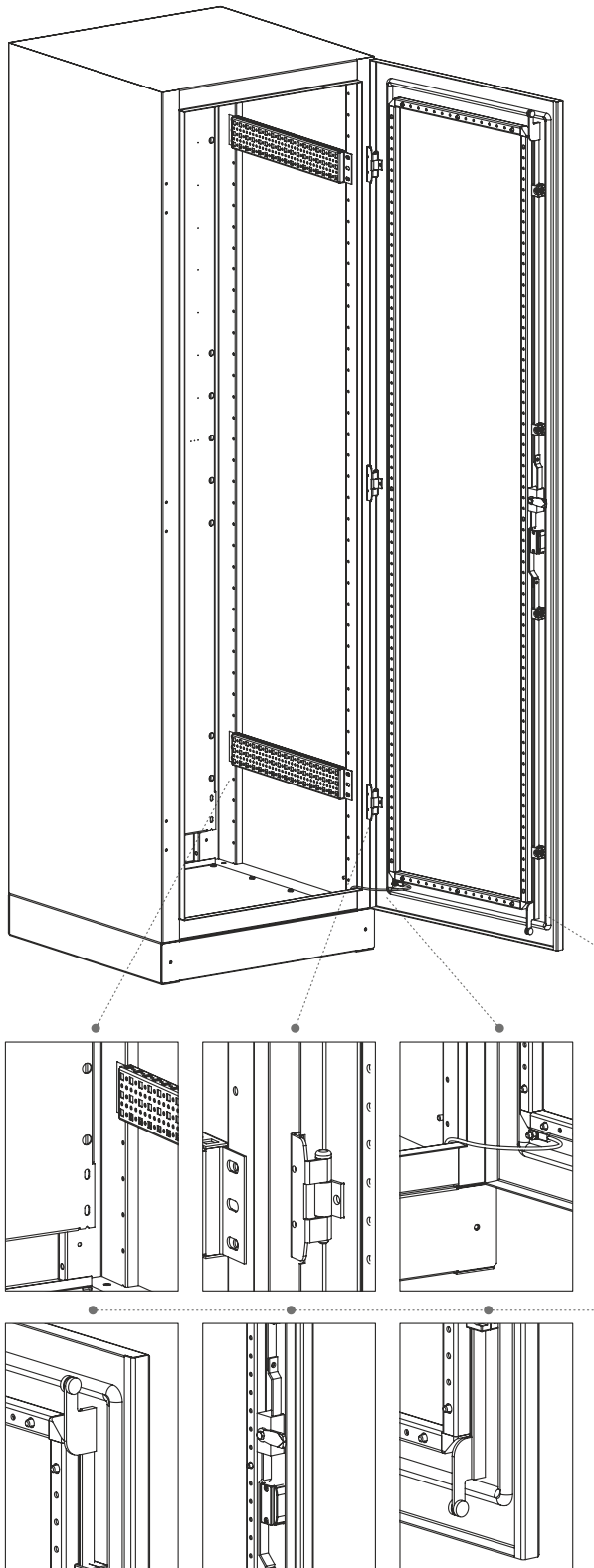
<b>Protection degree:</b>	IP55, IK10
<b>Un, B:</b>	1000
<b>In, A:</b>	2500
<b>Load, kg:</b>	800
<b>Type of construction:</b>	welded framework of steel frames
<b>Material:</b>	framework: sheet steel; door: sheet steel, seismic stability set: sheet steel; walls: sheet steel
<b>Surface:</b>	framework, door, seismic stability set and walls: RAL 7035 structured powder coating Sealing: door, walls, roof panel: all-round foamed-in PU seal
<b>Lock:</b>	3 mm double-bit
<b>Hinge:</b>	mounted with 120° opening.
<b>Supply includes:</b>	framework with roof panel, door with lock, back wall, seismic stability set, plinth 200 mm, grounding set, key, packing.
<b>Options:</b>	special coloring, special dimensions
<b>Accessories:</b>	detailed information look <b>System Accessories</b>
<b>Drawing:</b>	page N°98

Height L, mm	Width B, mm	Depth C, mm	Order No.
2000	600	600	<b>XLG55-2066</b>
2000	800	600	<b>XLG55-2086</b>
2200	600	600	<b>XLG55-2266</b>
2200	800	600	<b>XLG55-2286</b>





## ENCLOSURES FOR AUTOMATION AND POWER DISTRIBUTION



### Power distribution enclosures XM66

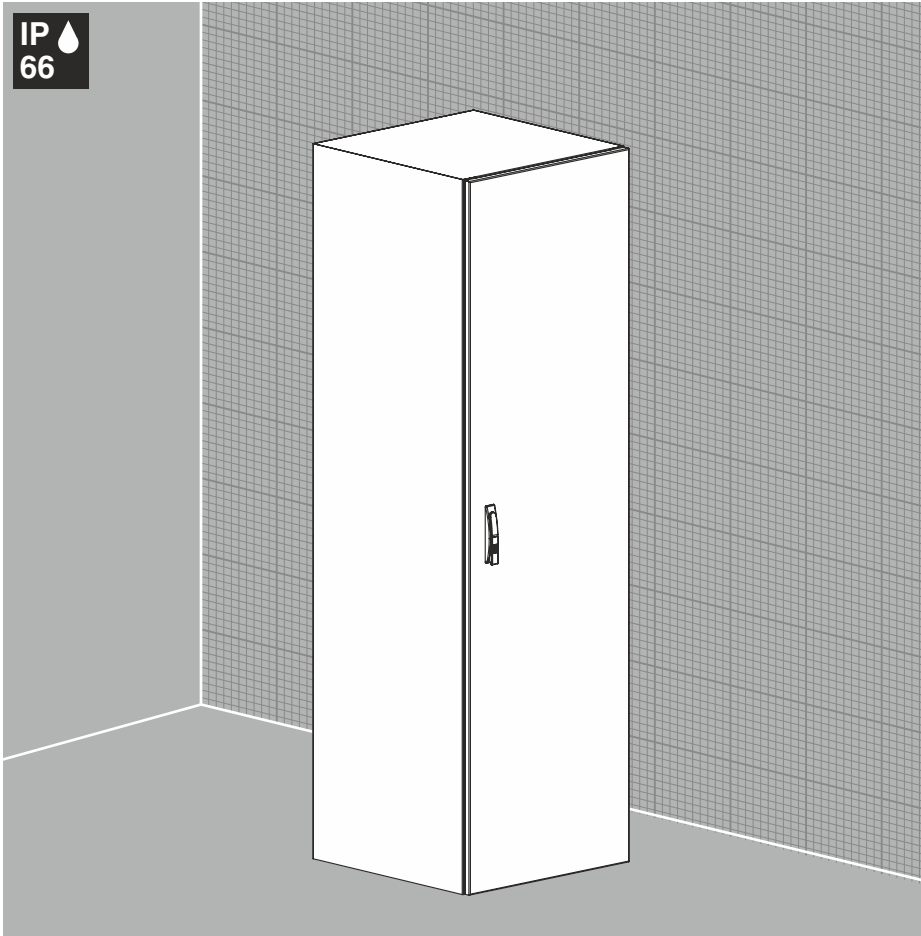
Specially developed series of enclosures for realization of the simple technical solutions connected with automation and distribution of the electric power. In the most important characteristics of series XL and L66 are borrowed: the increased size range, a possibility of installation on a plinth, the high durability of a cabinet, mobility, the increased protection degree IP66, 100% readiness for use without purchase of additional accessories. Enclosures are used in the most various areas, beginning from control and automatic panels for machine engineering and finishing with panels for power distribution.

### Enclosures are designed according to the following requirements of panel builders:

- Wide choice of standard sizes
- Protection degree IP66
- Resistance to external mechanical influence of not less IK10
- The welded enclosure is made completely of a steel sheet 1,5 / 2,0 mm thick and punched with a step of 25 mm for installation of the equipment
- Existence in the lower part of a framework of an opening with mobile galvanized panels (protection of the bottom) intended for input of cables
- A possibility of installation of a cabinet on a plinth 100 and 200 mm high
- Reversible doors with the three-point lock with double-bit and the strengthening frame from a galvanized pipe with openings for installation, with the angle of opening to 120°
- B All-round foamed-in PU seal against mechanical deformation and influence of the external environment
- All details of a cabinet are equipped with grounding plugs
- The anticorrosive covering is reached by phosphatization operation, and the decorative covering is executed by wear proof powder paint of light gray color (RAL7035)



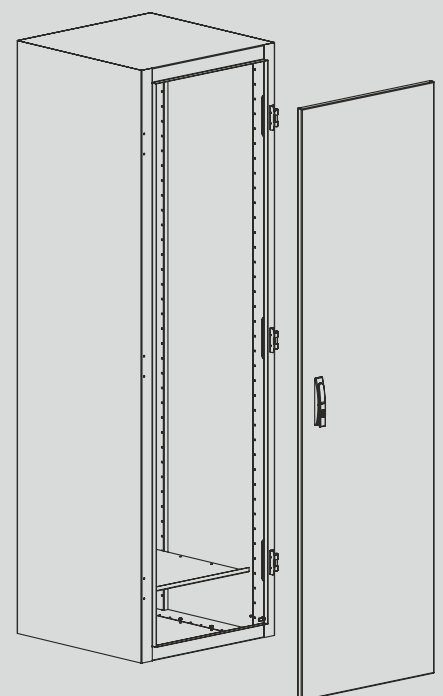
# Power distribution enclosures XM66



## Technical characteristics

- Protection degree:** IP66, IK10
- Un, B:** 1000
- In, A:** 2500
- Load, kg:** 800
- Type of construction:** welded enclosure
- Material:** sheet steel
- Surface:** RAL 7035 structured powder coating
- Sealing:** all-round foamed-in PU seal
- Lock:** 3 mm double-bit
- Hinge:** mounted with 120° opening.
- Supply includes:** enclosure, door with lock, bottom protection, grounding set, key, packing. Options: special coloring, special dimensions
- Accessories:** detailed information look **System Accessories**
- Drawing:** page №96

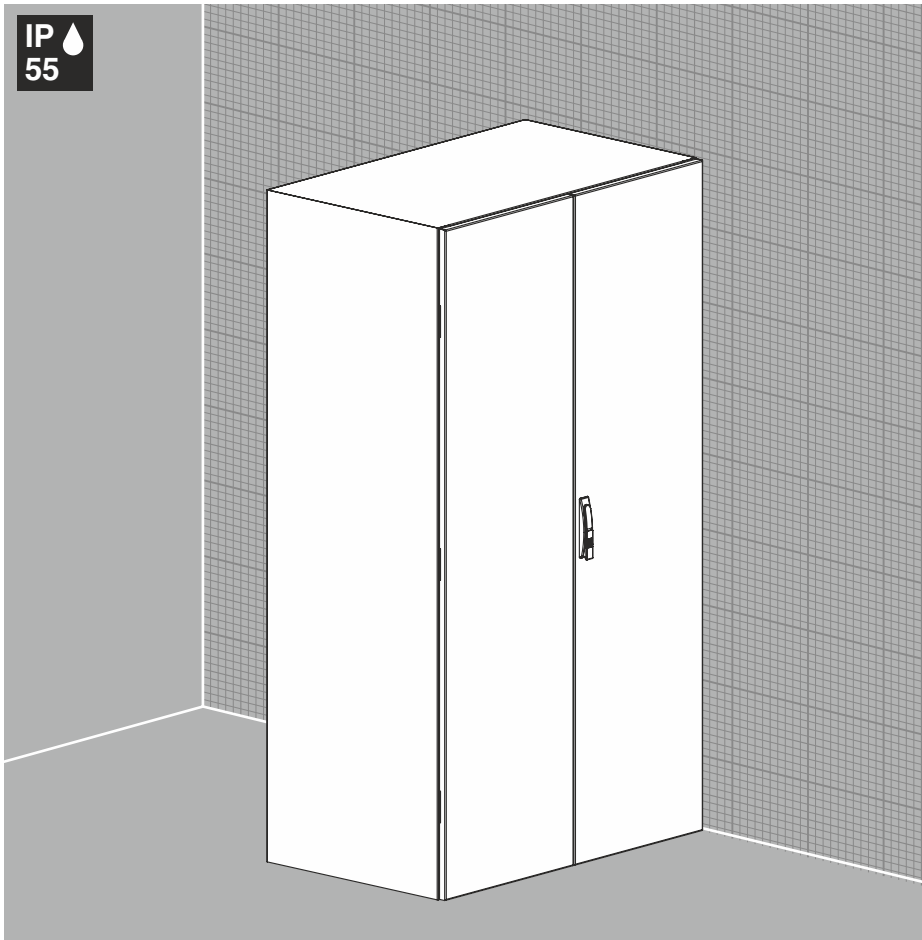
Height L, mm	Width B, mm	Depth C, mm	Order No.
1400	600	400	<b>XM66-1464</b>
1400	600	600	<b>XM66-1466</b>
1400	800	400	<b>XM66-1484</b>
1400	800	600	<b>XM66-1486</b>
1600	600	400	<b>XM66-1664</b>
1600	600	600	<b>XM66-1666</b>
1600	800	400	<b>XM66-1684</b>
1600	800	600	<b>XM66-1686</b>
1800	600	400	<b>XM66-1864</b>
1800	600	600	<b>XM66-1866</b>
1800	800	400	<b>XM66-1884</b>
1800	800	600	<b>XM66-1886</b>
2000	600	400	<b>XM66-2064</b>
2000	600	600	<b>XM66-2066</b>
2000	800	400	<b>XM66-2084</b>
2000	800	600	<b>XM66-2086</b>





## Power distribution enclosures XMD55

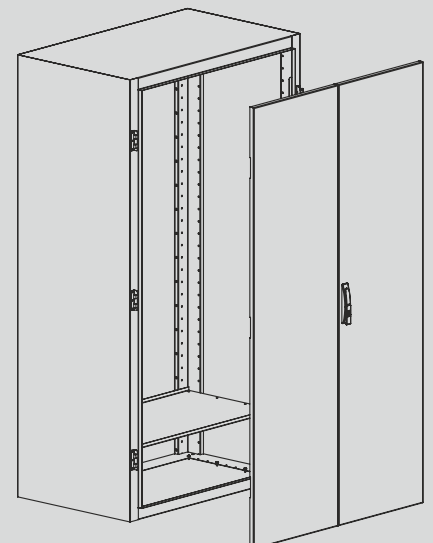
IP  
55



### Technical characteristics

<b>Protection degree:</b>	IP55, IK10
<b>Un, B:</b>	1000
<b>In, A:</b>	2500
<b>Load, kg:</b>	800
<b>Type of construction:</b>	welded enclosure
<b>Material:</b>	sheet steel
<b>Surface:</b>	RAL 7035 structured powder coating
<b>Sealing:</b>	all-round foamed-in PU seal
<b>Lock:</b>	3 mm double-bit
<b>Hinge:</b>	mounted with 120° opening
<b>Supply includes:</b>	enclosure, double leaf door with lock, bottom protection, grounding set, key, packing
<b>Options:</b>	special coloring, special dimensions
<b>Accessories:</b>	detailed information look <b>System Accessories</b>
<b>Drawing:</b>	page N°97

Height L, mm	Width B, mm	Depth C, mm	Order No.
1800	1000	400	<b>XMD55-18104</b>
1800	1000	600	<b>XMD55-18106</b>
2000	1000	400	<b>XMD55-20104</b>
2000	1000	600	<b>XMD55-20106</b>





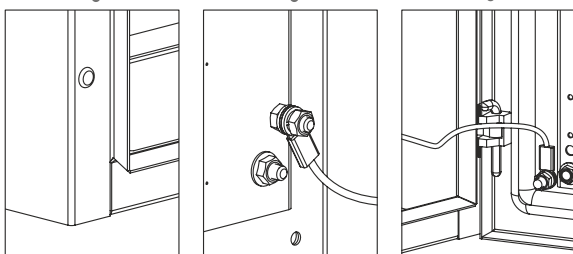
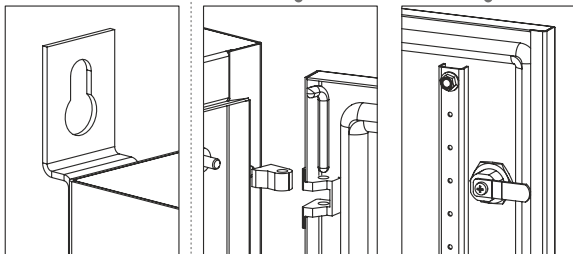
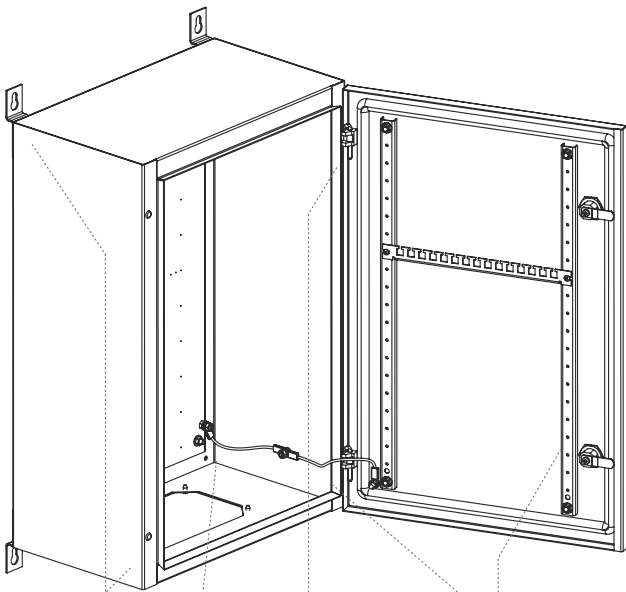
## COMPACT ENCLOSURES FOR AUTOMATION

### Compact enclosures L Small boxes S

Range of production represents a full set of steel enclosures for control systems, automation and distribution of low voltage. Enclosures are used in the most various areas, beginning from control and automatic panels for machine engineering and finishing with panels for separate mechanisms and also secondary distributive boards.

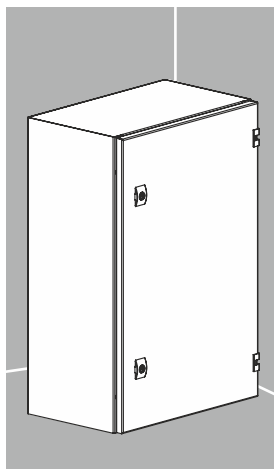
#### Enclosures are designed according to the following requirements of panel builders:

- Wide choice of standard sizes
- Protection degree IP66
- Resistance to external mechanical influence of not less IK08
- The welded enclosure and door are made completely of a steel sheet 1,2 / 1,5 mm thick
- The special enclosures trench allows to prevent emerging of moisture and dirt when opening a door
- Special cut-outs for cable entry in the bottom of enclosure
- Holes in a back part of cabinet for wall mounting
- Reversible doors with the angle of opening to 180°. At choice – steel door, two-fold steel and door with window
- B All-round foamed-in PU seal against mechanical deformation and influence of the external environment
- All details of a cabinet are equipped with grounding plugs
- Mounting plate from galvanized steel with marking for installation of electrical devices
- The anticorrosive covering is reached by phosphatization operation, and the decorative covering is executed by wear proof powder paint of light gray color (RAL7035)
- Wide choice of additional options: roofs, installation rails, mounting brackets, etc



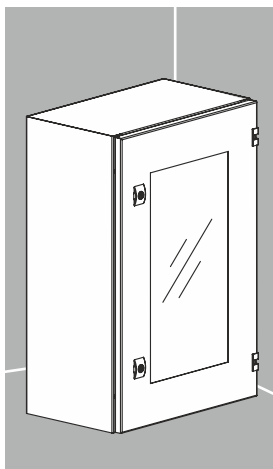


## Compact enclosures L



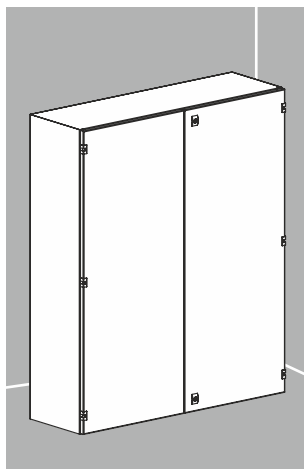
**L66**

page 17



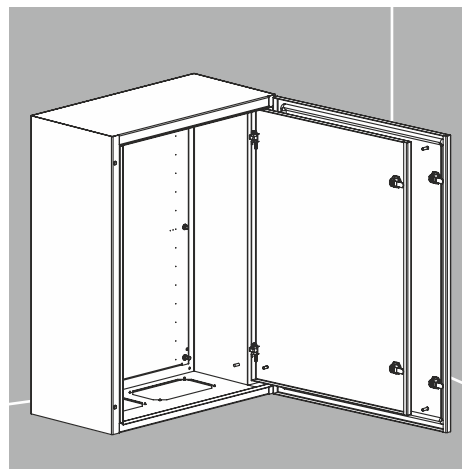
**LV55**

page 18



**LD55**

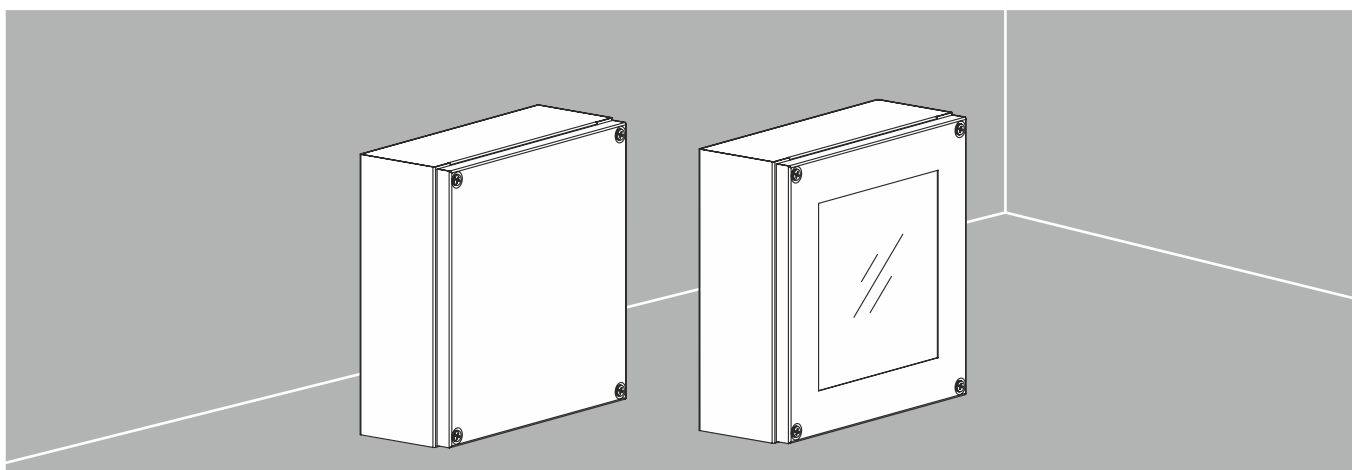
page 19



**LDD66**

page 20

## Small boxes S



**S66**

**SV55**

page 21

	L66	LV55	LD55	LDD66	S66	SV55
1	IP66, IK10	IP55, IK08	IP55, IK10	IP66, IK10	IP66, IK10	IP55, IK08
2	steel 1,2/1,5 mm, coloring RAL7035	steel 1,2/1,5 mm, coloring RAL7035	steel 1,2/1,5 mm, coloring RAL7035	steel 1,2/1,5 mm, coloring RAL7035	steel 1,0 mm, coloring RAL7035	steel 1,0 mm, coloring RAL7035
3	steel 2,0 mm, galvanized	steel 2,0 mm, galvanized	steel 2,0 mm, galvanized	steel 2,0 mm, galvanized	possible	possible
4	standard	standard	standard	standard	standard	standard
5	possible	possible	possible	possible	possible	possible
6	possible	possible	possible	possible	possible	possible

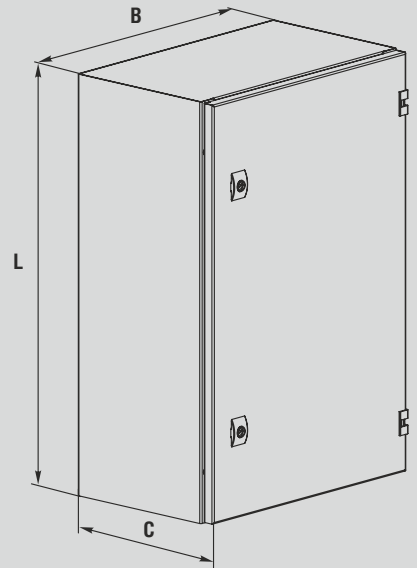
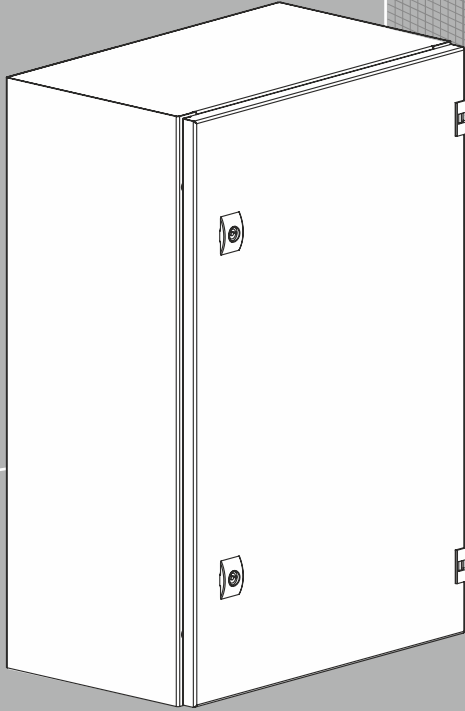
1 - protection degree, 2 - enclosure, 3 - mounting plate, 4 - accessories, 5 - special coloring, 6 - special dimensions





## Compact enclosures L66

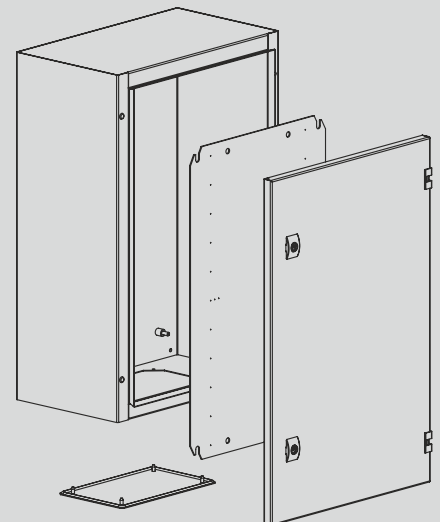
IP 66



### Technical characteristics

<b>Protection degree:</b>	IP66, IK10
<b>Un, B:</b>	1000
<b>In, A:</b>	100
<b>Load, kg:</b>	100
<b>Type of construction:</b>	welded enclosure
<b>Material:</b>	enclosure, door: sheet steel; mounting plate: sheet steel
<b>Surface:</b>	enclosure: RAL 7035 structured powder coating; mounting plate: galvanized
<b>Sealing:</b>	door and cable entry panel: all-round foamed-in PU seal
<b>Lock:</b>	3 mm double-bit
<b>Hinge:</b>	mounted with 180° opening
<b>Supply includes:</b>	enclosure, mounting plate, door with lock, cable entry panel, grounding set, key, packing
<b>Options:</b>	special coloring, special dimensions
<b>Accessories:</b>	detailed information look <b>System Accessories</b>
<b>Drawing:</b>	page N°100

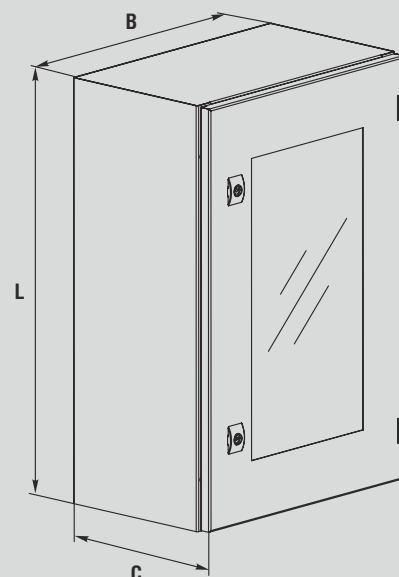
Height L, mm	Width B, mm	Depth C, mm	Order No.
300	200	180	<b>L66-321</b>
300	300	180	<b>L66-331</b>
300	300	250	<b>L66-332</b>
300	400	250	<b>L66-342</b>
400	300	180	<b>L66-431</b>
400	300	250	<b>L66-432</b>
400	400	180	<b>L66-441</b>
400	400	250	<b>L66-442</b>
400	400	320	<b>L66-443</b>
400	500	250	<b>L66-452</b>
400	600	250	<b>L66-462</b>
500	400	180	<b>L66-541</b>
500	400	250	<b>L66-542</b>
600	400	180	<b>L66-641</b>
600	400	250	<b>L66-642</b>
600	500	250	<b>L66-652</b>
600	600	180	<b>L66-661</b>
600	600	250	<b>L66-662</b>
600	600	320	<b>L66-663</b>
600	800	320	<b>L66-683</b>
800	600	250	<b>L66-862</b>
800	600	320	<b>L66-863</b>
800	800	250	<b>L66-882</b>
800	800	320	<b>L66-883</b>
1000	600	320	<b>L66-1063</b>
1000	800	250	<b>L66-1082</b>
1000	800	320	<b>L66-1083</b>
1200	600	320	<b>L66-1263</b>
1200	800	320	<b>L66-1283</b>
1200	600	420	<b>L66-1264</b>
1200	800	420	<b>L66-1284</b>
1400	600	320	<b>L66-1463</b>
1400	800	320	<b>L66-1483</b>





## Compact enclosures LV55

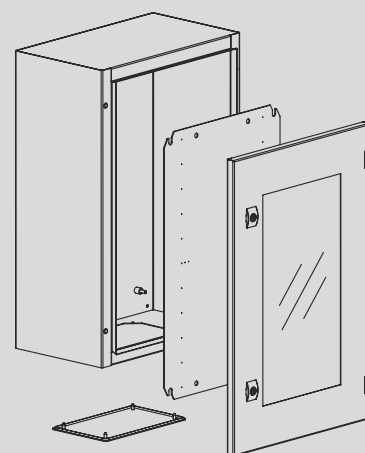
IP  
55



### Technical characteristics

<b>Protection degree:</b>	IP55, IK08
<b>Un, B:</b>	1000
<b>In, A:</b>	100
<b>Load, kg:</b>	100
<b>Type of construction:</b>	welded enclosure
<b>Material:</b>	enclosure: sheet steel; door: sheet steel with glass; mounting plate: sheet steel
<b>Surface:enclosure:</b>	RAL 7035 structured powder coating; mounting plate: galvanized
<b>Sealing:</b>	door and cable entry panel: all-round foamed-in PU seal
<b>Lock:</b>	3 mm double-bit
<b>Hinge:</b>	mounted with 180° opening
<b>Supply includes:</b>	enclosure, mounting plate, door with lock, cable entry panel, grounding set, key, packing
<b>Options:</b>	special coloring, special dimensions
<b>Accessories:</b>	detailed information look <b>System Accessories</b>
<b>Drawing:</b>	page №102

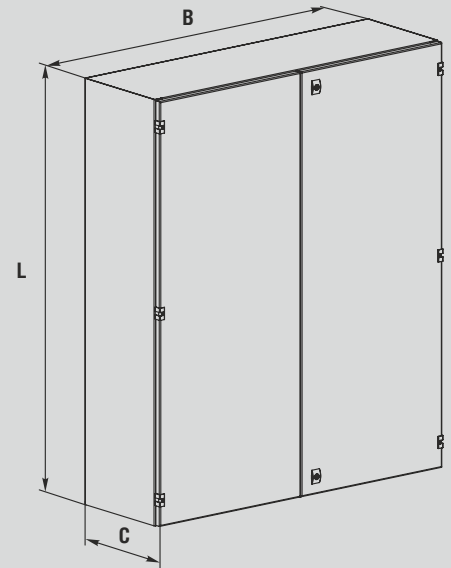
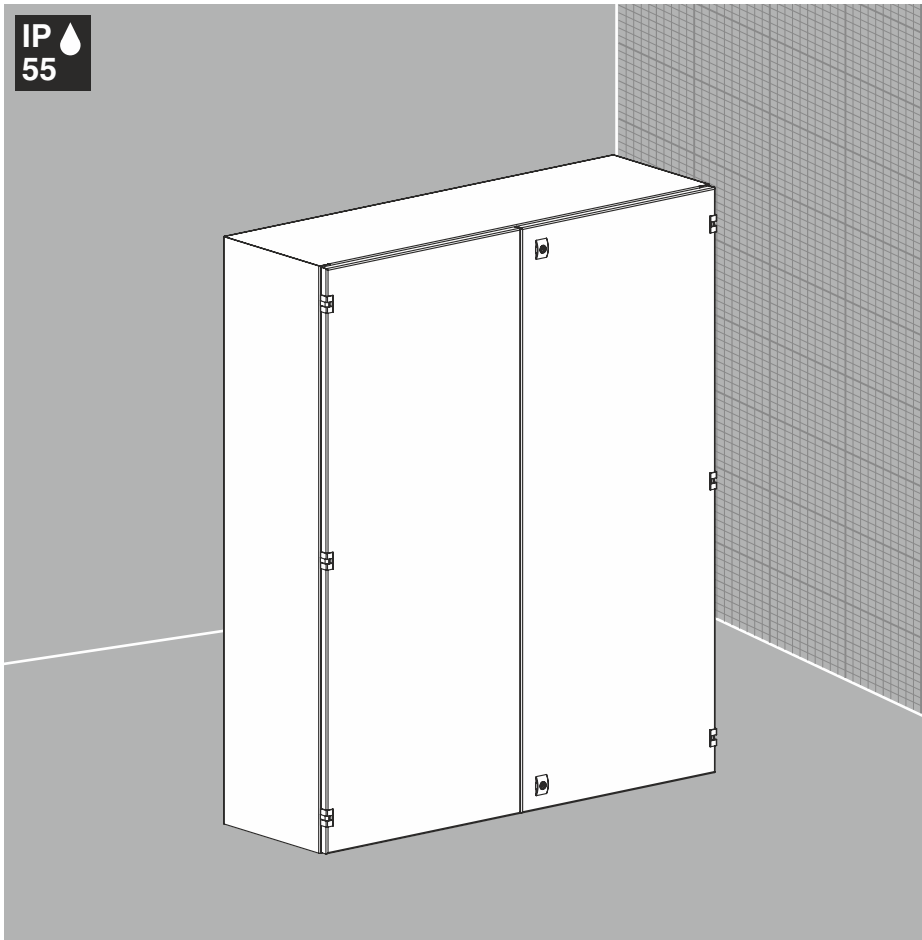
Height L, mm	Width B, mm	Depth C, mm	Order No.
400	300	180	<b>LV55-431</b>
400	300	250	<b>LV55-432</b>
400	400	250	<b>LV55-442</b>
400	400	320	<b>LV55-443</b>
400	500	250	<b>LV55-452</b>
400	600	250	<b>LV55-462</b>
500	400	250	<b>LV55-542</b>
600	400	250	<b>LV55-642</b>
600	500	250	<b>LV55-652</b>
600	800	320	<b>LV55-683</b>
800	600	250	<b>LV55-862</b>
800	600	320	<b>LV55-863</b>
800	800	250	<b>LV55-882</b>
800	800	320	<b>LV55-883</b>
1000	600	320	<b>LV55-1063</b>
1000	800	320	<b>LV55-1083</b>
1200	600	320	<b>LV55-1263</b>
1200	800	320	<b>LV55-1283</b>
1200	600	420	<b>LV55-1264</b>
1200	800	420	<b>LV55-1284</b>





## Compact enclosures LD55

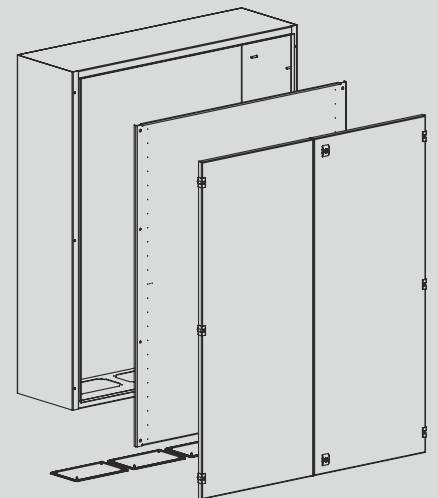
IP 55



### Technical characteristics

- Protection degree:** IP55, IK10
- Un, B:** 1000
- In, A:** 100
- Load, kg:** 100
- Type of construction:** welded enclosure
- Material:** enclosure, door: sheet steel; mounting plate: sheet steel
- Surface:** enclosure: RAL 7035 structured powder coating; mounting plate: galvanized
- Sealing:** door and cable entry panel: all-round foamed-in PU seal
- Lock:** 3 mm double-bit
- Hinge:** mounted with 180° opening
- Supply includes:** enclosure, mounting plate, double leaf door with lock, cable entry panel, grounding set, key, packing.
- Options:** special coloring, special dimensions
- Accessories:** detailed information look **System Accessories**
- Drawing:** page №104

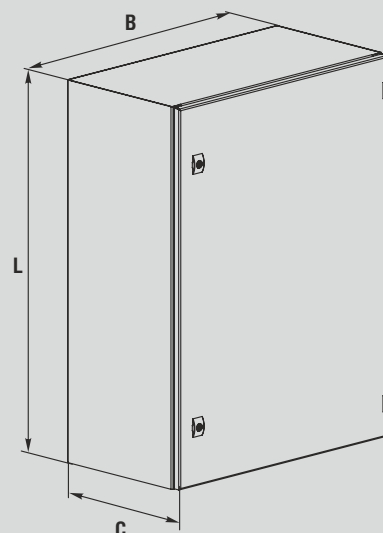
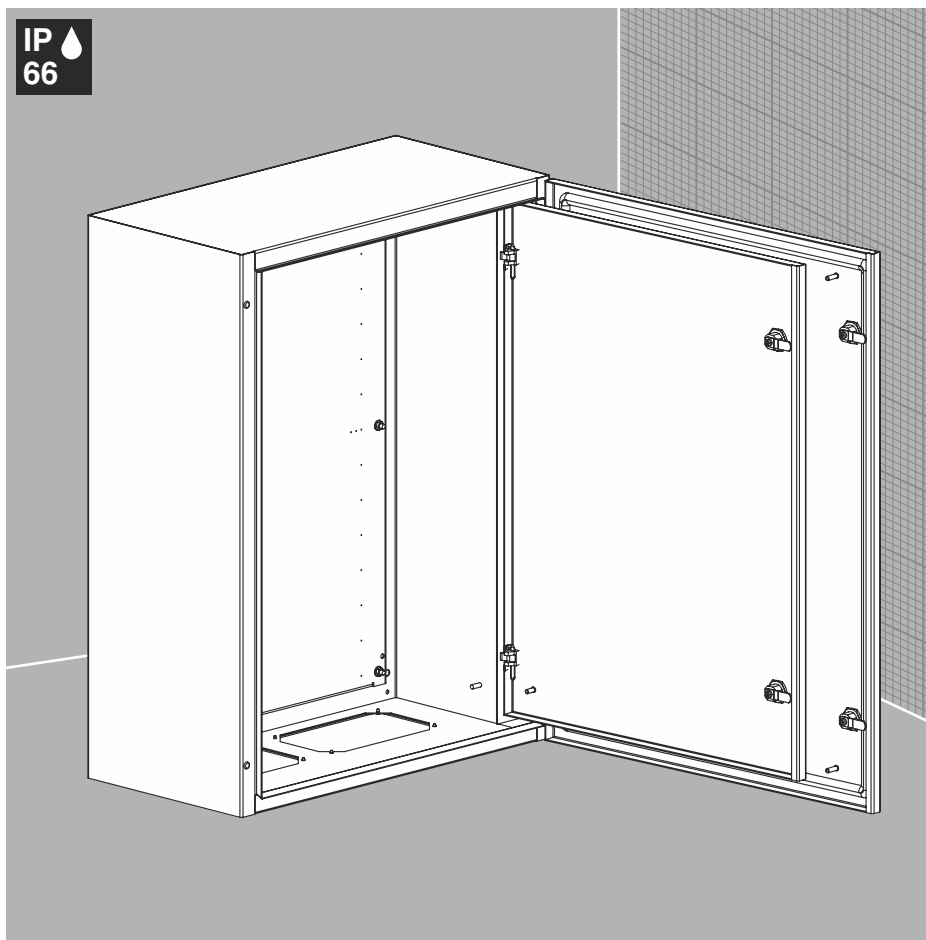
Height L, mm	Width B, mm	Depth C, mm	Order No.
600	1000	320	<b>LD55-6103</b>
800	1000	320	<b>LD55-8103</b>
600	1200	320	<b>LD55-6123</b>
800	1200	320	<b>LD55-8123</b>
1000	1000	320	<b>LD55-10103</b>
1200	1000	320	<b>LD55-12103</b>





## Compact enclosures LDD66

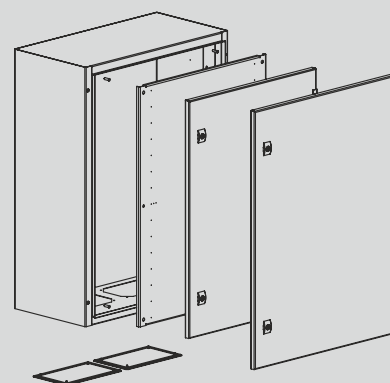
IP  
66



### Technical characteristics

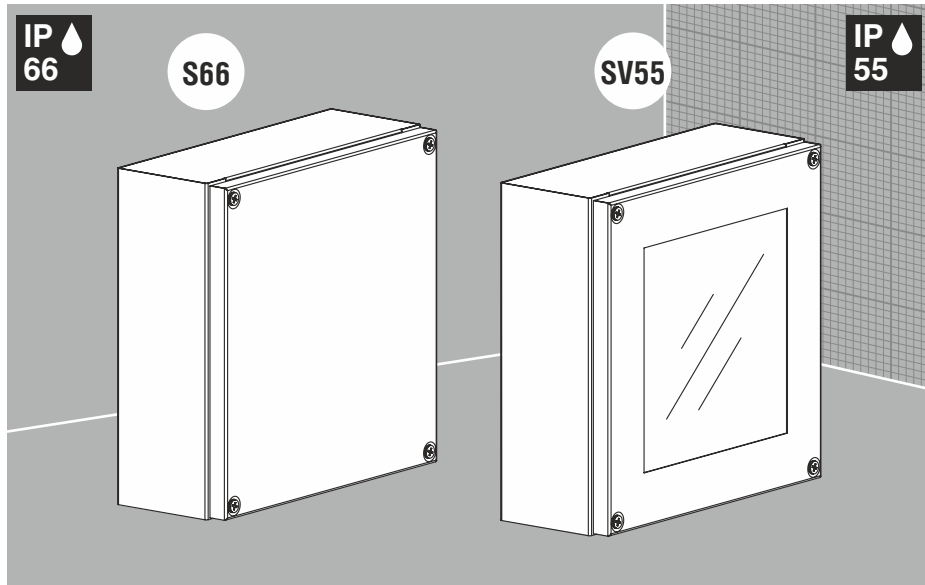
<b>Protection degree:</b>	IP66, IK10
<b>Un, B:</b>	1000
<b>In, A:</b>	100
<b>Load, kg:</b>	100
<b>Type of construction:</b>	welded enclosure
<b>Material:</b>	enclosure, door: sheet steel; mounting plate: sheet steel
<b>Surface:</b>	enclosure: RAL 7035 structured powder coating; mounting plate: galvanized
<b>Sealing:</b>	door and cable entry panel: all-round foamed-in PU seal
<b>Lock:</b>	3 mm double-bit
<b>Hinge:</b>	mounted with 180° opening
<b>Supply includes:</b>	enclosure, mounting plate, inside and outside door with lock, cable entry panel, grounding set, key, packing
<b>Options:</b>	special coloring, special dimensions
<b>Accessories:</b>	detailed information look <b>System Accessories</b>
<b>Drawing:</b>	page №105

Height L, mm	Width B, mm	Depth C, mm	Order No.
500	400	250	<b>LDD66-542</b>
600	400	250	<b>LDD66-642</b>
800	600	250	<b>LDD66-862</b>
1000	600	320	<b>LDD66-1063</b>
1200	600	320	<b>LDD66-1263</b>





## Wall mounted enclosures S66, SV55



### Technical characteristics

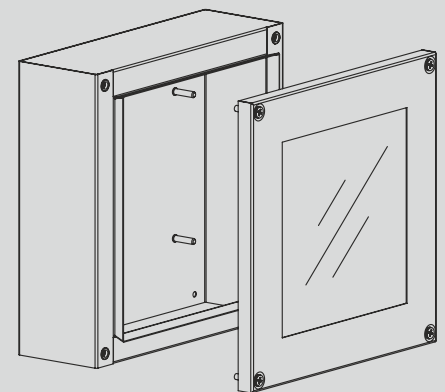
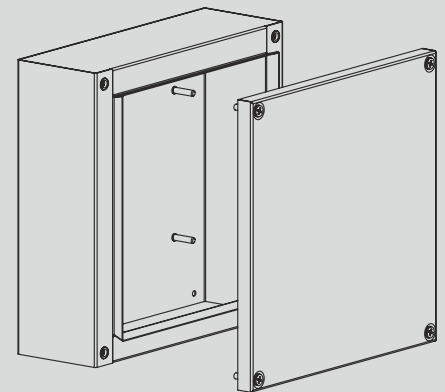
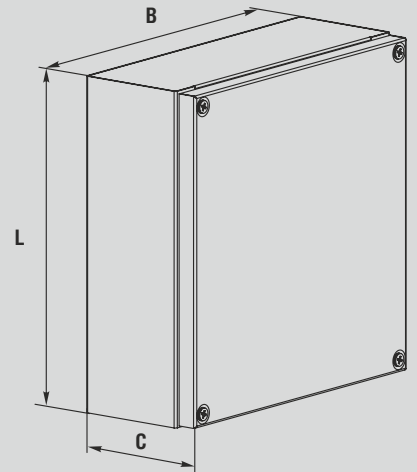
<b>Protection degree:</b>	IP66, IK10
<b>Un, B:</b>	1000
<b>In, A:</b>	100
<b>Load, kg:</b>	100
<b>Type of construction:</b>	welded enclosure
<b>Material:</b>	enclosure, door: sheet steel; mounting plate: sheet steel
<b>Surface:</b>	enclosure: RAL 7035 structured powder coating; mounting plate: galvanized
<b>Sealing:</b>	door and cable entry panel: all-round foamed-in PU seal
<b>Lock:</b>	3 mm double-bit
<b>Hinge:</b>	mounted with 180° opening
<b>Supply includes:</b>	enclosure, mounting plate, door with lock, cable entry panel, grounding set, key, packing.
<b>Options:</b>	special coloring, special dimensions
<b>Accessories:</b>	detailed information look <b>System Accessories</b>
<b>Drawing:</b>	page № 106

### S66

Height L, mm	Width B, mm	Depth C, mm	Order No.
150	150	120	<b>S66-111</b>
150	200	120	<b>S66-121</b>
150	300	120	<b>S66-131</b>
200	200	120	<b>S66-221</b>
200	300	120	<b>S66-231</b>
200	400	120	<b>S66-241</b>
300	300	120	<b>S66-331</b>
300	400	120	<b>S66-341</b>
300	600	120	<b>S66-361</b>
400	400	120	<b>S66-441</b>
400	600	120	<b>S66-461</b>
400	800	120	<b>S66-481</b>

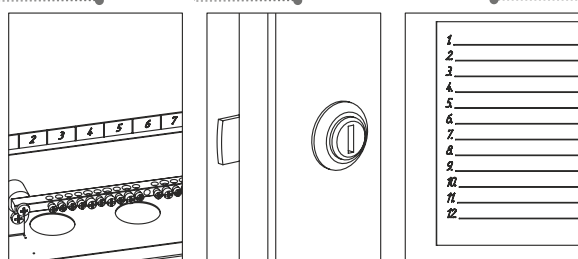
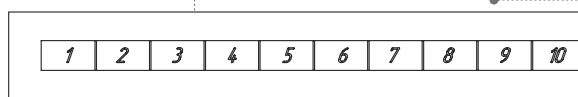
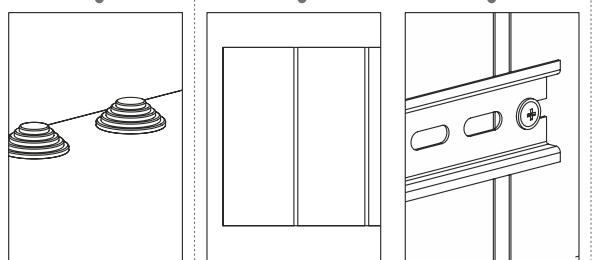
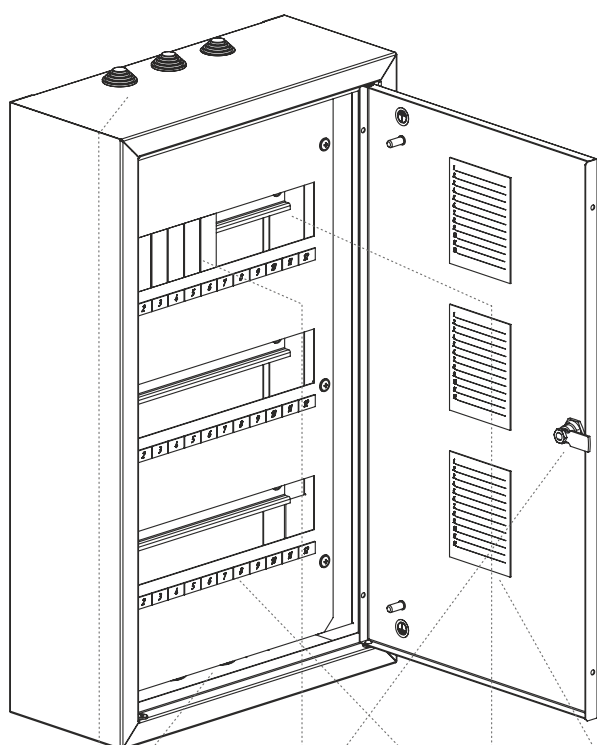
### SV55

Height L, mm	Width B, mm	Depth C, mm	Order No.
150	150	120	<b>SV55-111</b>
150	200	120	<b>SV55-121</b>
150	300	120	<b>SV55-131</b>
200	200	120	<b>SV55-221</b>
200	300	120	<b>SV55-231</b>
200	400	120	<b>SV55-241</b>
300	300	120	<b>SV55-331</b>
300	400	120	<b>SV55-341</b>
300	600	120	<b>SV55-361</b>
400	400	120	<b>SV55-441</b>
400	600	120	<b>SV55-461</b>
400	800	120	<b>SV55-481</b>





## ENCLOSURES FOR MODULAR DEVICES



### Enclosures for modular devices M

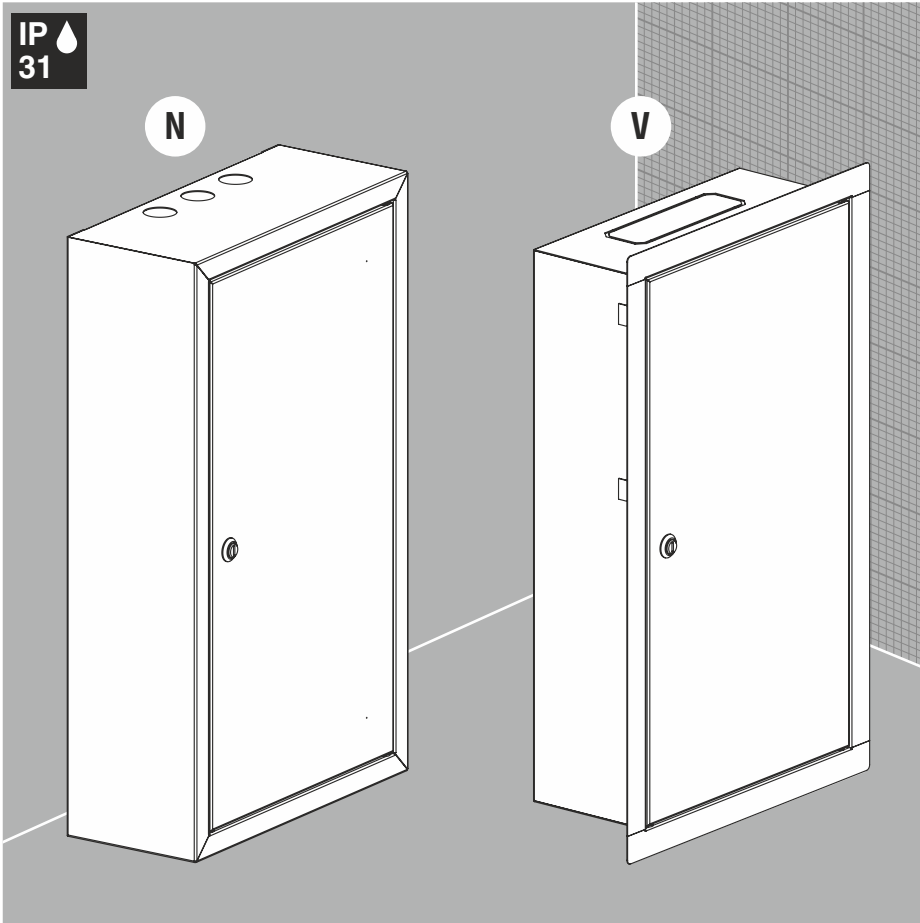
Range of production represents a full set of steel enclosures for the organization of account and distribution of the electric power of low voltage in civil and administration buildings.

#### Enclosures are designed according to the following requirements of panel builders:

- Wide choice of standard sizes
- Protection degree IP31
- Resistance to external mechanical influence of not less IK08
- The welded enclosure and door are made completely of a steel sheet 1,0 mm thick
- A possibility of installation of a cabinet both on a wall, and in a niche
- Special cut-outs for cable entry in the bottom of enclosure, holes in a back part of cabinet for wall mounting
- Easily removable doors with the metal lock
- All details of a cabinet are equipped with grounding plugs
- Existence of all accessories in a set: DIN lath, protective panel, terminal N/PE blocks, wire of grounding, cap of cable inputs, row caps, set of marking stickers
- The anticorrosive covering is reached by phosphatization operation, and the decorative covering is executed by wear proof powder paint of light gray color (RAL7035)



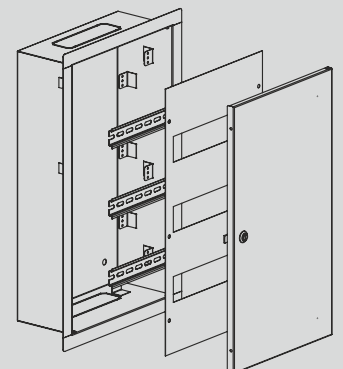
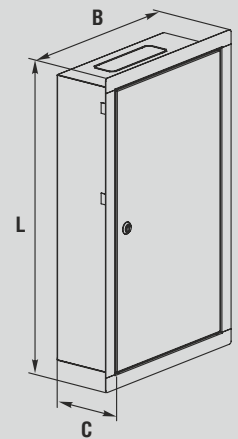
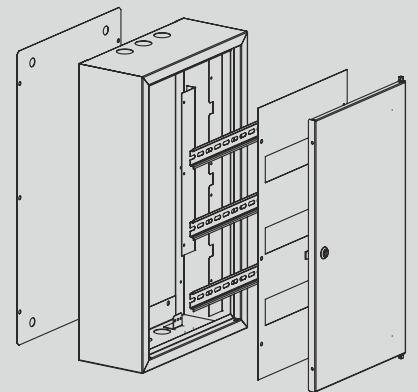
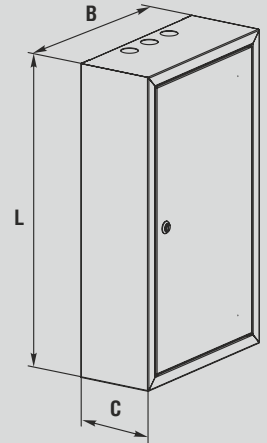
## Wall mounted enclosures for modular devices M



### Technical characteristics

<b>Protection degree:</b>	IP31, IK10
<b>Un, B:</b>	400
<b>In, A:</b>	100
<b>Load, kg:</b>	30
<b>Type of construction:</b>	welded enclosure
<b>Material:</b>	sheet steel
<b>Surface:</b>	RAL 7035 structured powder coating
<b>Lock:</b>	metal, chromeplated, "with secret"
<b>Hinge:</b>	mounted with 180° opening.
<b>Supply includes:</b>	enclosure, door with lock, DIN-lath, protection panel, key, packing
<b>Options:</b>	special coloring, special dimensions
<b>Accessories:</b>	detailed information look <b>System Accessories</b>
<b>Drawing:</b>	page №108, 109

Height L, mm	Width B, mm	Depth C, mm	Order No.
265	310	130	<b>M-12N</b>
395	310	130	<b>M-24N</b>
520	310	130	<b>M-36N</b>
645	310	130	<b>M-48N</b>
520	620	130	<b>M-70N</b>
225	270	120	<b>M-12V</b>
355	270	120	<b>M-24V</b>
480	270	120	<b>M-36V</b>
605	270	120	<b>M-48V</b>
480	545	120	<b>M-70V</b>





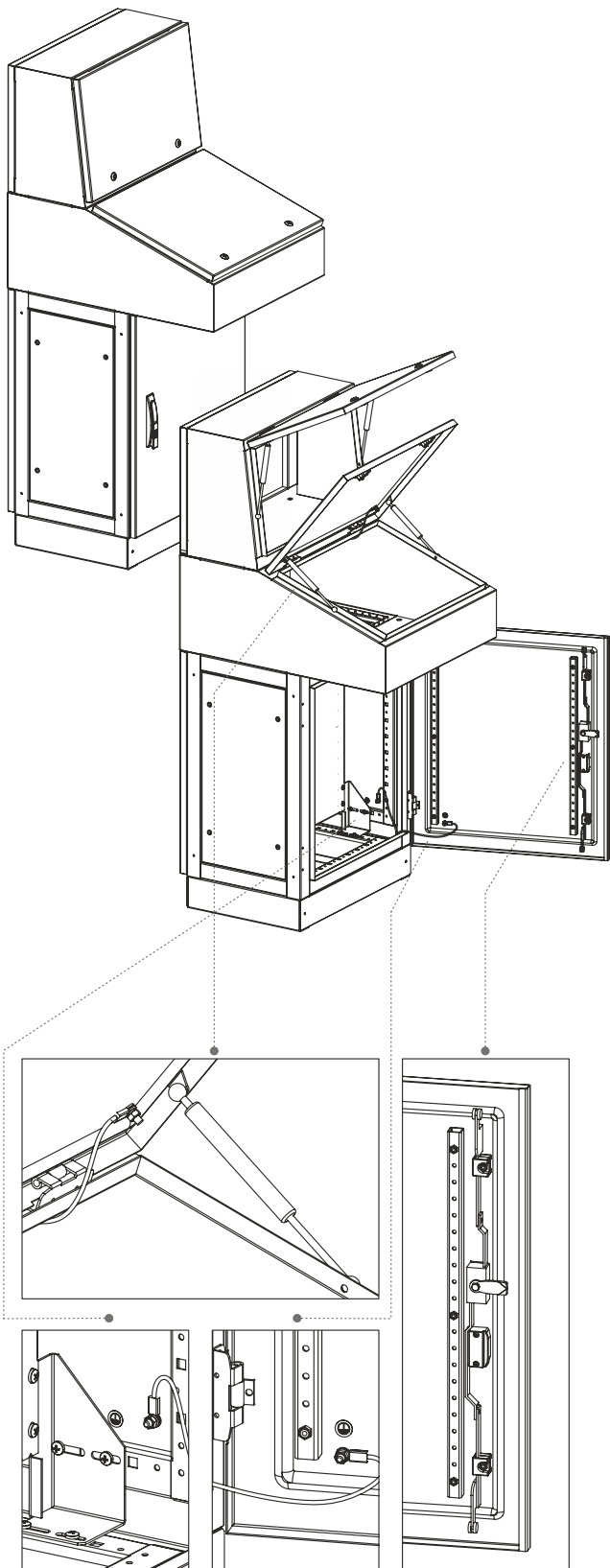
## CONSOLE SYSTEMS

### Console systems XLPUIt

Range of production represents a full set of steel enclosures for control systems and automation for machine engineering. Production finds application in such branches as: machine engineering, automation, food and chemical industry and also in the areas with modern methods of automation of manufacturing.

#### Enclosures are designed according to the following requirements of panel builders:

- Modularity
- Convenience of installation
- Protection degree IP55
- Resistance to external mechanical influence of not less IK10
- A possibility of installation of a cabinet on a plinth 100 and 200 mm high
- All-round foamed-in PU seal against mechanical deformation and influence of the external environment
- Mounting plate from galvanized steel 2.0 mm thick with marking for installation of electrical devices
- The anticorrosive covering is reached by phosphatization operation, and the decorative covering is executed by wear proof powder paint of light gray color (RAL7035)

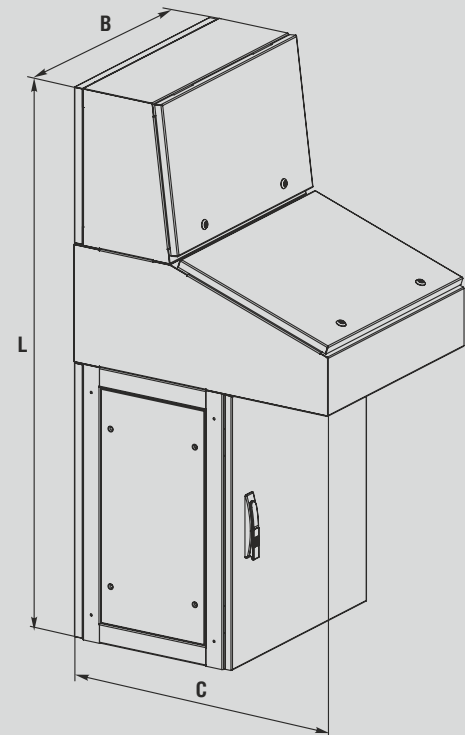
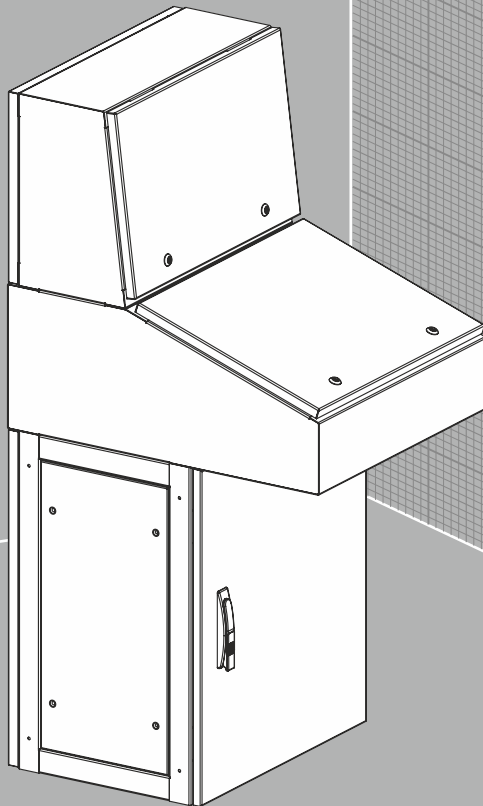






# Console systems XLPUIt

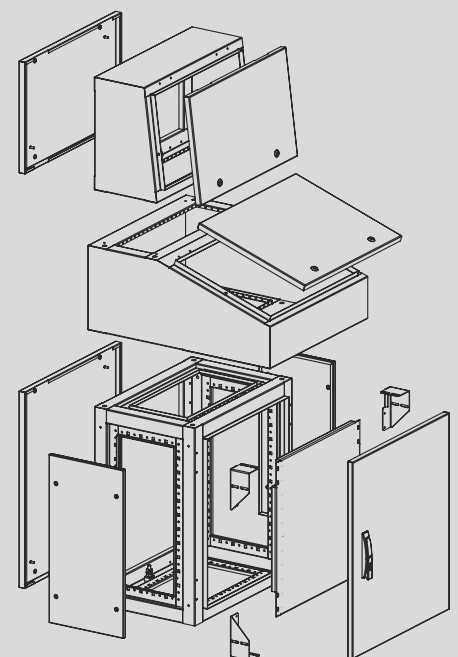
IP 55



## Technical characteristics

- Protection degree:** IP55, IK10
- Type of construction:** sectional
- Material:** sheet steel
- Surface:** RAL 7035 structured powder coating
- Sealing:** all-round foamed-in PU seal
- Supply includes:**
- Top part XLPUI-UP:** enclosure, cover with locks on hinges with a side or top hinge plate (incl. a cover clamp), back wall, cut-out for cable entry, key, packing
- Middle part XLPUI-M:** enclosure, table-top on hinges behind and locks, 2 clamps with automatic fixing, a cover of the top cut-out. Cut-out for cable entry, key, packing
- Lower part XLPUI-DN:** enclosure from above is open, door is single or double with lock, mounting plate. Open basis for cable entry, back wall, side walls, grounding wires, key, packing.
- Options:** special coloring, special dimensions
- Accessories:** detailed information look **System Accessories**
- Drawing:** page №110, 111, 112

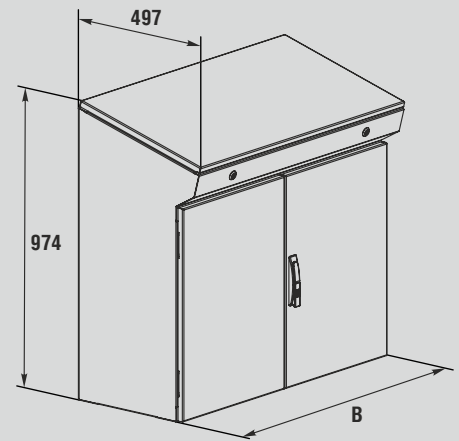
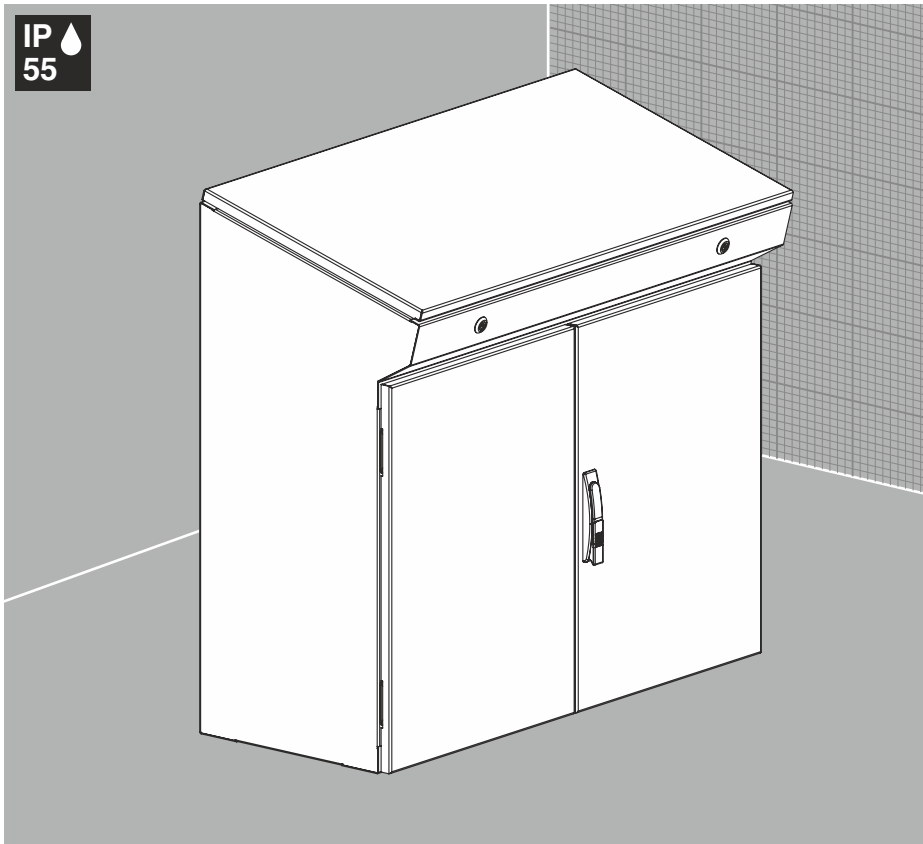
Height L, mm	Width B, mm	Depth C, mm	Order No.
<b>Top part XLPUI-UP</b>			
400	600	300	<b>XLPU-UP462</b>
400	800	300	<b>XLPU-UP482</b>
400	1000	300	<b>XLPU-UP4102</b>
400	1200	300	<b>XLPU-UP4122</b>
400	1400	300	<b>XLPU-UP4142</b>
400	1600	300	<b>XLPU-UP4162</b>
<b>Middle part XLPUI-M</b>			
300	600	700	<b>XLPU-M367</b>
300	800	700	<b>XLPU-M387</b>
300	1000	700	<b>XLPU-M3107</b>
300	1200	700	<b>XLPU-M3127</b>
300	1400	700	<b>XLPU-M3147</b>
300	1600	700	<b>XLPU-M3167</b>
<b>Lower part XLPUI-DN</b>			
700	600	400	<b>XLPU-DN764</b>
700	600	600	<b>XLPU-DN766</b>
700	800	400	<b>XLPU-DN784</b>
700	800	600	<b>XLPU-DN786</b>
700	1000	400	<b>XLPU-DN7104</b>
700	1000	600	<b>XLPU-DN7106</b>
700	1200	400	<b>XLPU-DN7124</b>
700	1200	600	<b>XLPU-DN7126</b>
700	1400	400	<b>XLPU-DN7144</b>
700	1400	600	<b>XLPU-DN7146</b>
700	1600	400	<b>XLPU-DN7164</b>
700	1600	600	<b>XLPU-DN7166</b>





## Console systems XMPUIt

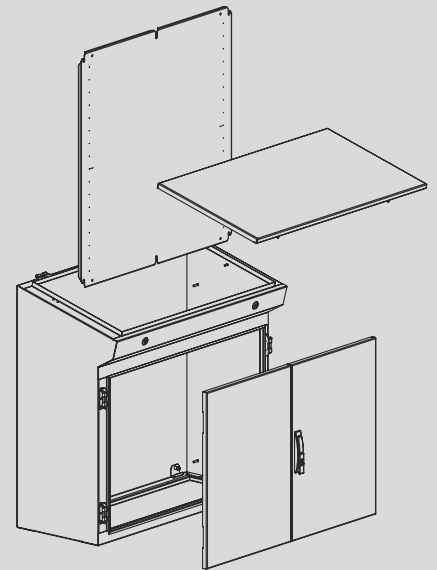
IP 55



### Technical characteristics

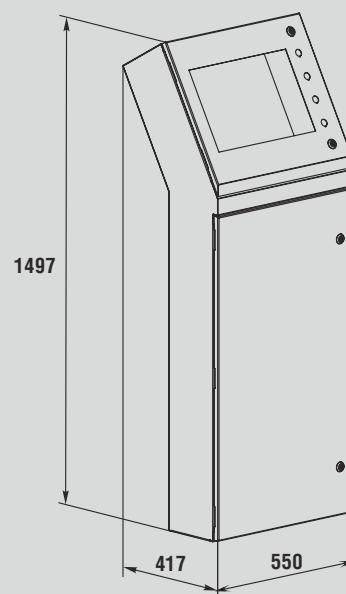
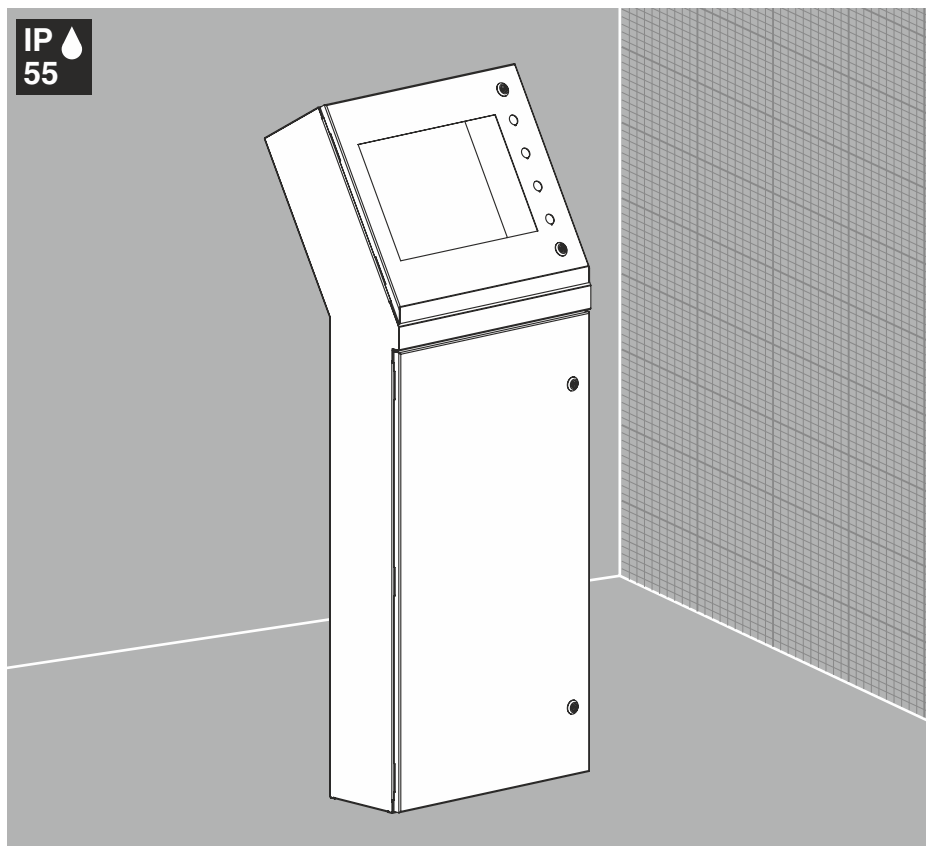
- Protection degree:** IP55, IK10
- Type of construction:** welded enclosure
- Material:** enclosure, door: sheet steel; mounting plate: sheet steel
- Surface:** enclosure: RAL 7035 structured powder coating; mounting plate: galvanized
- Sealing:** all-round foamed-in PU seal
- Lock:** 3 mm double-bit
- Supply includes:** enclosure, mounting plate, door with lock, bottom protection, key, packing
- Options:** special coloring, special dimensions
- Accessories:** detailed information look **System Accessories**
- Drawing:** page №119

Height L, mm	Width B, mm	Depth C, mm	Order No.
974	600	497	<b>XMPUIt-964</b>
974	800	497	<b>XMPUIt-984</b>
974	1000	497	<b>XMPUIt-9104</b>
974	1200	497	<b>XMPUIt-9124</b>





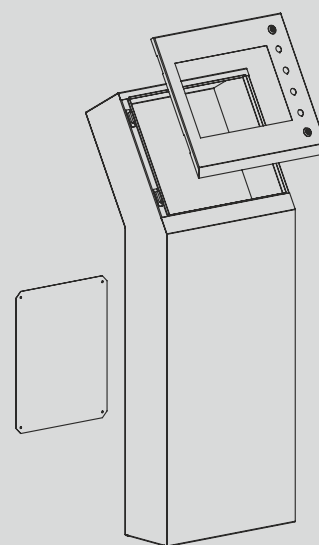
## Console systems IPC-Halter



### Technical characteristics

- Type of construction:** welded enclosure
- Material:** sheet steel
- Surface:** RAL 7035 structured powder coating
- Sealing:** all-round foamed-in PU seal
- Lock:** 3 mm double-bit
- Supply includes:** enclosure, cable entry panel, key, packing
- Options:** special coloring, special dimensions
- Accessories:** detailed information look  
**System Accessories**
- Drawing:** page №120

Height L, mm	Width B, mm	Depth C, mm	Order No.
1497	550	417	IPC-Halter

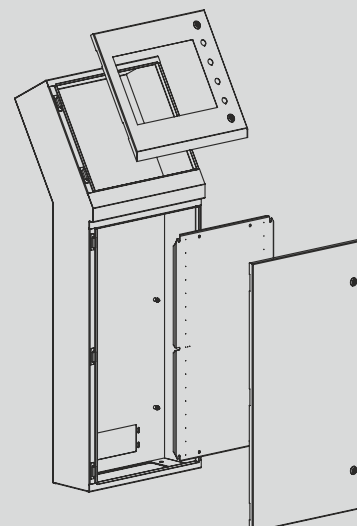


## Console systems IPC-Halter with mounting plate

### Technical characteristics

- Type of construction:** welded enclosure
- Material:** enclosure, door: sheet steel; mounting plate: sheet steel
- Surface:** enclosure: RAL 7035 structured powder coating; mounting plate: galvanized
- Sealing:** all-round foamed-in PU seal
- Lock:** 3 mm double-bit
- Supply includes:** enclosure, mounting plate, door with lock, cable entry panel, key, packing
- Options:** special coloring, special dimensions
- Accessories:** detailed information look  
**System Accessories**
- Drawing:** page №121

Height L, mm	Width B, mm	Depth C, mm	Order No.
1497	550	417	IPC-Halter-A





## 19" SERVER ENCLOSURES FOR THE TELECOMMUNICATIONS EQUIPMENT

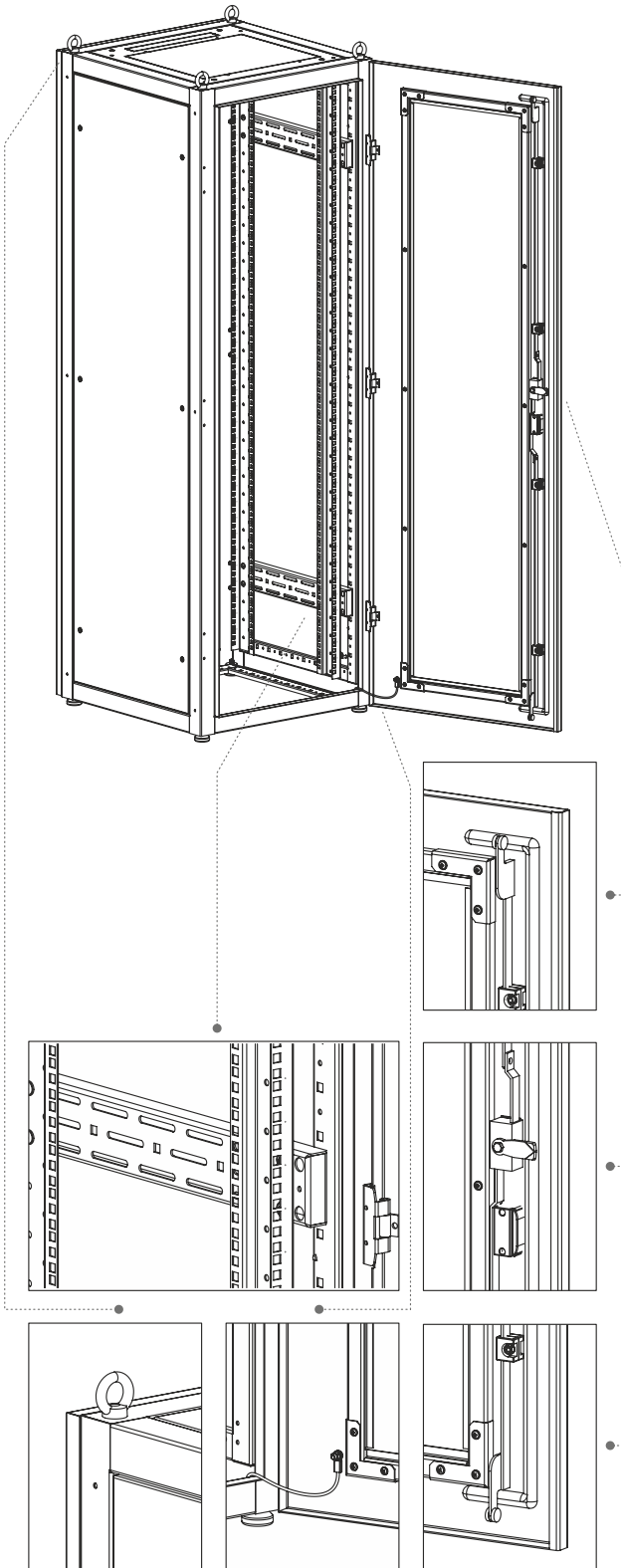
### 19" Server enclosures with viewing door XL-IT

Are used for installation of the passive, active telecommunication equipment.

It is most often used at offices for creation knots of switching and also by IT-providers for creation of home networks.

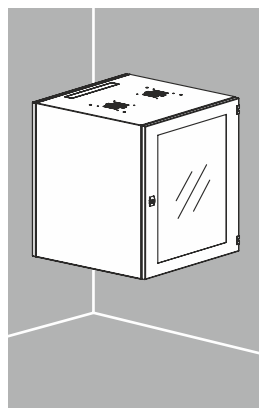
### Enclosures are designed according to the following requirements of panel builders:

- Modern design
- Wide choice of standard sizes
- The welded enclosure is made completely of a steel sheet 1,5 / 2,0 mm thick and punched with a step of 25 mm for installation of the equipment
- Possibility to connect cabinets horizontally
- Protection degree IP20/55
- Resistance to external mechanical influence of not less IK08
- Reversible doors with the angle of opening to 120°
- The viewing door is supplied with the rotary handle and the three-point lock fixing a door in the central, top and lower points, can be replaced with the deaf or the punched door
- The back wall can be replaced with the viewing, punched or deaf door with the three-point lock
- Removable sidewalls
- Positions for the organization of input of cables are provided in a roof, the bottom and a back wall of an enclosure
- Existence in a perforation roof for ensuring free and compulsory ventilation
- Possibility of installation of the block of fans in a framework roof
- An opportunity to position 19" rails at various depth thanks to operation of "the smooth course"
- The frame of a cabinet is mounted on adjustable screw support with a possibility of installation on a plinth or rollers
- The anticorrosive covering is reached by phosphatization operation, and the decorative covering is executed by wear proof powder paint of light gray color (RAL7035)
- Existence of accessories: rails, fans, blocks of sockets, panels caps, etc

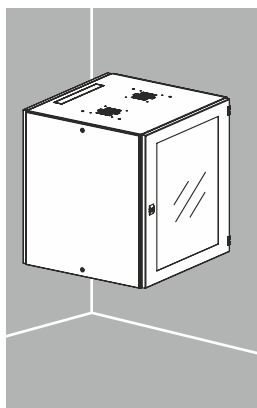




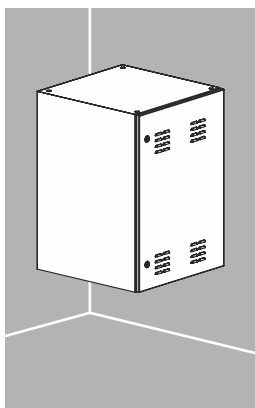
# 19" Server enclosures with viewing door



**X-IP** page 39



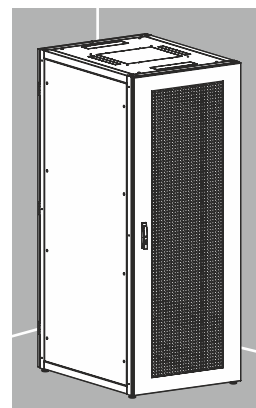
**X-IQ** page 40



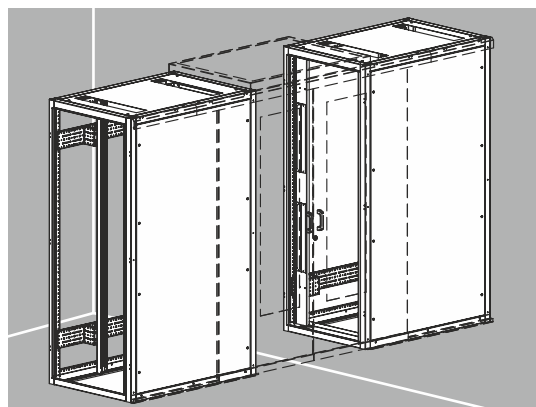
**X-CC** page 42



**XL-IT/XL55-IT** page 30



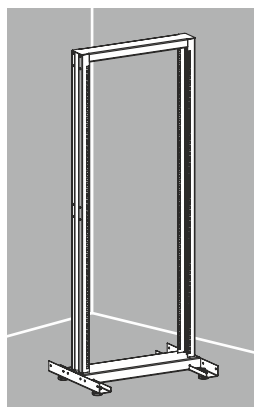
**XL-ID** page 32



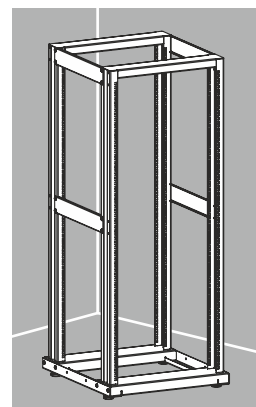
**XL-3D** page 33



**XL-IDC** page 34



**X-I** page 36



**X-IC** page 36

	X-IP	X-IQ	X-CC	XL-IT	XL55-IT
1	IP20 IK08	IP20 IK08	IP66 IK10	IP20 IK08	IP55 IK08
2	steel 1,2 / 1,5 mm, coloring RAL 7035	steel 1,2 / 1,5 mm, coloring RAL 7035	steel 1,2 / 1,5 mm, coloring RAL 7035	steel 1,5 / 2,0 mm, coloring RAL 7035	steel 1,5 / 2,0 mm, coloring RAL 7035
3	steel 1,2 / 1,5 mm, coloring RAL 7035	steel 1,2 / 1,5 mm, coloring RAL 7035	steel 1,2 / 1,5 mm, coloring RAL 7035	steel 1,5 / 2,0 mm, coloring RAL 7035	steel 1,5 / 2,0 mm, coloring RAL 7035
4	steel 1,2 / 1,5 mm, coloring RAL 7035	steel 1,2 / 1,5 mm, coloring RAL 7035	steel 1,2 / 1,5 mm, coloring RAL 7035	steel 1,2 mm, coloring RAL 7035	steel 1,2 mm, coloring RAL 7035
5	standard	standard	standard	standard	standard
6	possible	possible	possible	possible	possible

	XL-ID	XL-3D	XL-IDC	X-I	X-IC
1	IP20 IK08	IP20 IK08	IP55 IK08	-	-
2	steel 1,5 / 2,0 mm, coloring RAL 7035	steel 1,5 / 2,0 mm, coloring RAL 7035	steel 1,5 / 2,0 mm, coloring RAL 7035	steel 1,5 / 2,0 mm, coloring RAL 7035	steel 1,5 / 2,0 mm, coloring RAL 7035
3	steel 1,5 / 2,0 mm, coloring RAL 7035	steel 1,5 / 2,0 mm, coloring RAL 7035	steel 1,5 / 2,0 mm, coloring RAL 7035	-	-
4	steel 1,2 mm, coloring RAL 7035	steel 1,2 mm, coloring RAL 7035	steel 1,2 mm, coloring RAL 7035	-	-
5	standard	standard	standard	standard	standard
6	possible	possible	possible	possible	possible

1 - protection degree, 2 - enclosuregerust, 3 - door, 4 - page wall, rear wall, roof, 5 - accessories, 6 - special color



## 19" Server enclosures with viewing door XL-IT, XL55-IT

IP 20 IP 55



### Technical characteristics

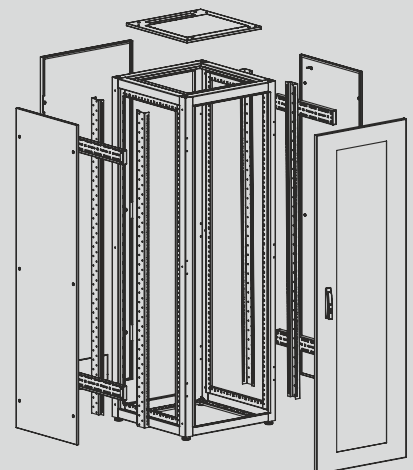
- Protection degree:** IP20, IP55, IK08
- Load, kg:** 600
- Type of construction:** welded framework of steel frames
- Material:** framework: sheet steel; door: sheet steel, glass; walls: sheet steel; 19" profiles: sheet steel.
- Surface:** framework, door and walls: RAL 7035 structured powder coating; 19" profiles: galvanized
- Lock:** 3-point double-bit lock with twist handle
- Hinge:** mounted with 120° opening
- Supply includes:** framework with roof panel, viewing door, back wall, side walls, set for 19" installation, screw support, keys, packing
- Options:** special coloring
- Accessories:** detailed information look **System Accessories**
- Drawing:** page №114

### XL-IT

Montage-Height, HE	Height L, mm	Width B, mm	Depth C, mm	Order No.
37	1800	600	800	<b>XL-IT37U68</b>
42	2000	600	800	<b>XL-IT42U68</b>
46	2200	600	800	<b>XL-IT46U68</b>
42	2000	800	600	<b>XL-IT42U86</b>
42	2000	800	800	<b>XL-IT42U88</b>
46	2200	800	600	<b>XL-IT46U86</b>
46	2200	800	800	<b>XL-IT46U88</b>
24	1200	600	1000	<b>XL-IT24U610</b>
28	1400	600	1000	<b>XL-IT28U610</b>
33	1600	600	1000	<b>XL-IT33U610</b>
37	1800	600	1000	<b>XL-IT37U610</b>
42	2000	600	1000	<b>XL-IT42U610</b>
46	2200	600	1000	<b>XL-IT46U610</b>
42	2000	800	1000	<b>XL-IT42U810</b>
46	2200	800	1000	<b>XL-IT46U810</b>

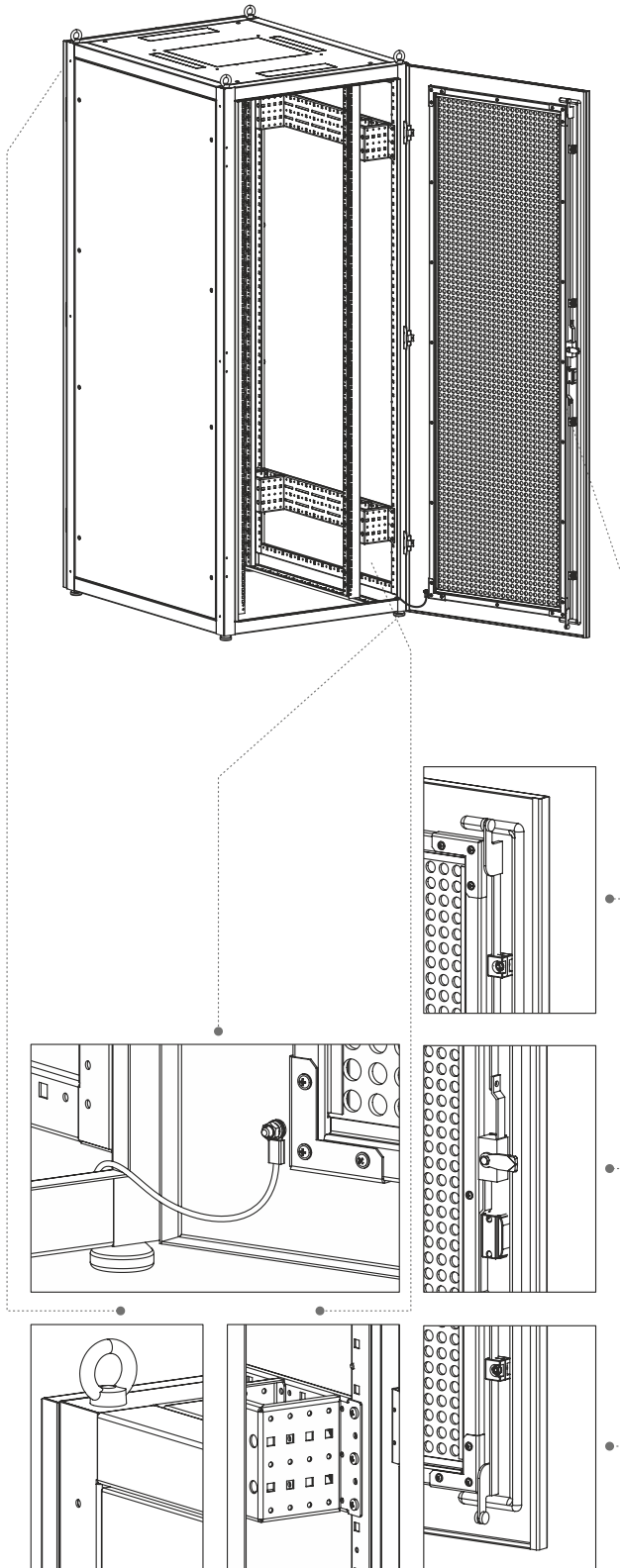
### XL55-IT

Montage-Height, HE	Height L, mm	Width B, mm	Depth C, mm	Order No.
42	2000	600	600	<b>XL55-IT42U66</b>
42	2000	600	800	<b>XL55-IT42U68</b>
42	2000	800	600	<b>XL55-IT42U86</b>





## 19" SERVER ENCLOSURES FOR THE TELECOMMUNICATIONS EQUIPMENT



### 19" Server enclosures XL-ID

Are intended especially for installation of the server hardware and installation of uninterruptible power supply units.

At design of the framework special requirements to operation of the server hardware were considered. It is noticeable in development of the elements giving to XL-ID enclosures the increased durability and effective heat exchange. Modifications with depth up to 1200 mm give the chance to place the dimensional active equipment in cabinets, and high loading capacity allows to install the equipment up to 900 kg.

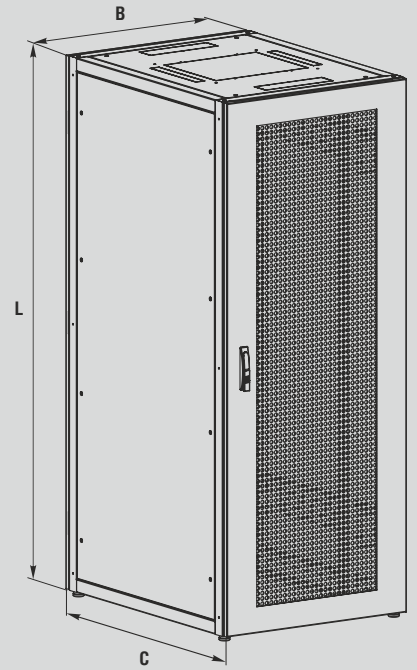
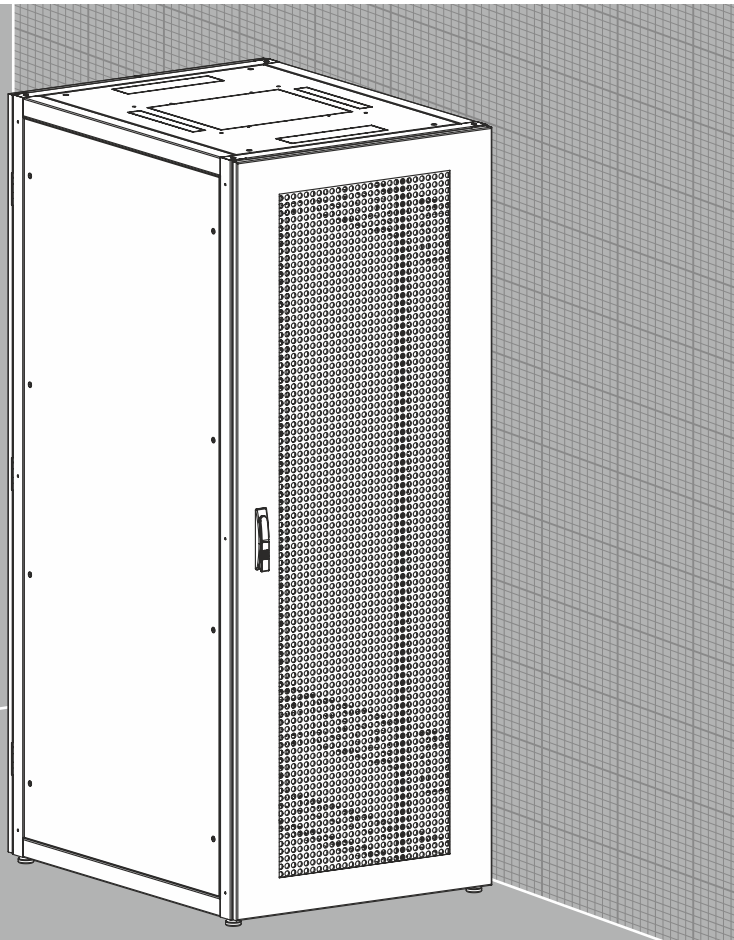
### Enclosures are designed according to the following requirements of panel builders:

- Modern design
- Wide choice of standard sizes
- The welded enclosure is made completely of a steel sheet 1,5 / 2,0 mm thick and punched with a step of 25 mm for installation of the equipment
- Possibility to connect cabinets horizontally
- Resistance to external mechanical influence of not less IK08
- Reversible doors with the angle of opening to 170°
- The ventilating door is supplied with the rotary handle and the three-point lock fixing a door in the central, top and lower points
- Removable sidewalls
- Positions for the organization of input of cables are provided in a roof, the bottom and a back wall of an enclosure
- Existence in a perforation roof for ensuring free and compulsory ventilation
- Possibility of installation of the block of fans in a framework roof
- An opportunity to position 19" rails at various depth thanks to operation of "the smooth course"
- The frame of a cabinet is mounted on adjustable screw support with a possibility of installation on a plinth or rollers
- The anticorrosive covering is reached by phosphatization operation, and the decorative covering is executed by wear proof powder paint of light gray color (RAL7035)
- Existence of accessories: rails, fans, blocks of sockets, panels caps, etc
- A possibility of installation at creation of Data-Center of system of sliding doors and ceiling section for division of air streams (for XL3D)



# 19" Server enclosure XL-ID

IP 20



## Technical characteristics

**Protection degree:** IP20, IK08

**Load, kg:** 900

**Type of construction:** welded framework of steel frames

**Material:** framework: sheet steel; door: sheet steel, walls: sheet steel; 19" profiles: sheet steel

**Surface:** framework, door and walls: RAL 7035 structured powder coating; 19" profiles: galvanized

**Lock:** 3-point double-bit lock with twist handle

**Hinge:** mounted with 120° opening

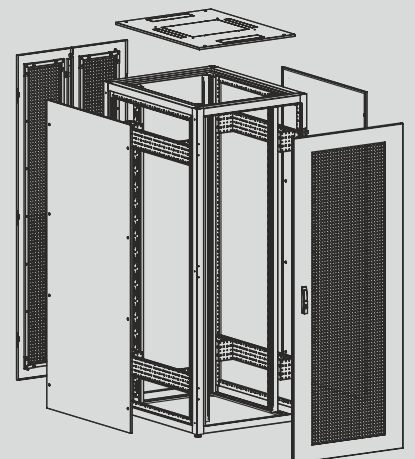
**Supply includes:** framework with roof panel, door, back wall, side walls, set for 19" installation, screw support, keys, packing

**Options:** special coloring

**Accessories:** detailed information look **System Accessories**

**Drawing:** page №116

Montage-Height, HE	Height L, mm	Width B, mm	Depth C, mm	Order No.
42	2000	800	800	<b>XL-ID42U88</b>
46	2200	800	800	<b>XL-ID46U88</b>
42	2000	600	1000	<b>XL-ID42U610</b>
46	2200	600	1000	<b>XL-ID46U610</b>
42	2000	800	1000	<b>XL-ID42U810</b>
46	2200	800	1000	<b>XL-ID46U810</b>
42	2000	600	1200	<b>XL-ID42U612</b>
46	2200	600	1200	<b>XL-ID46U612</b>
42	2000	800	1200	<b>XL-ID42U812</b>
46	2200	800	1200	<b>XL-ID46U812</b>

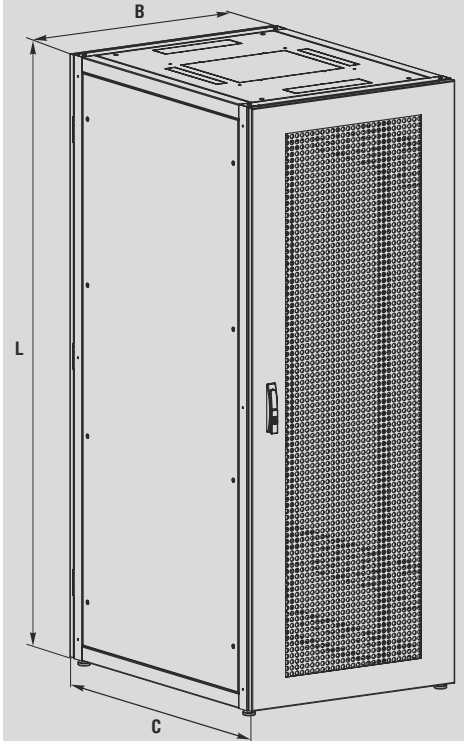
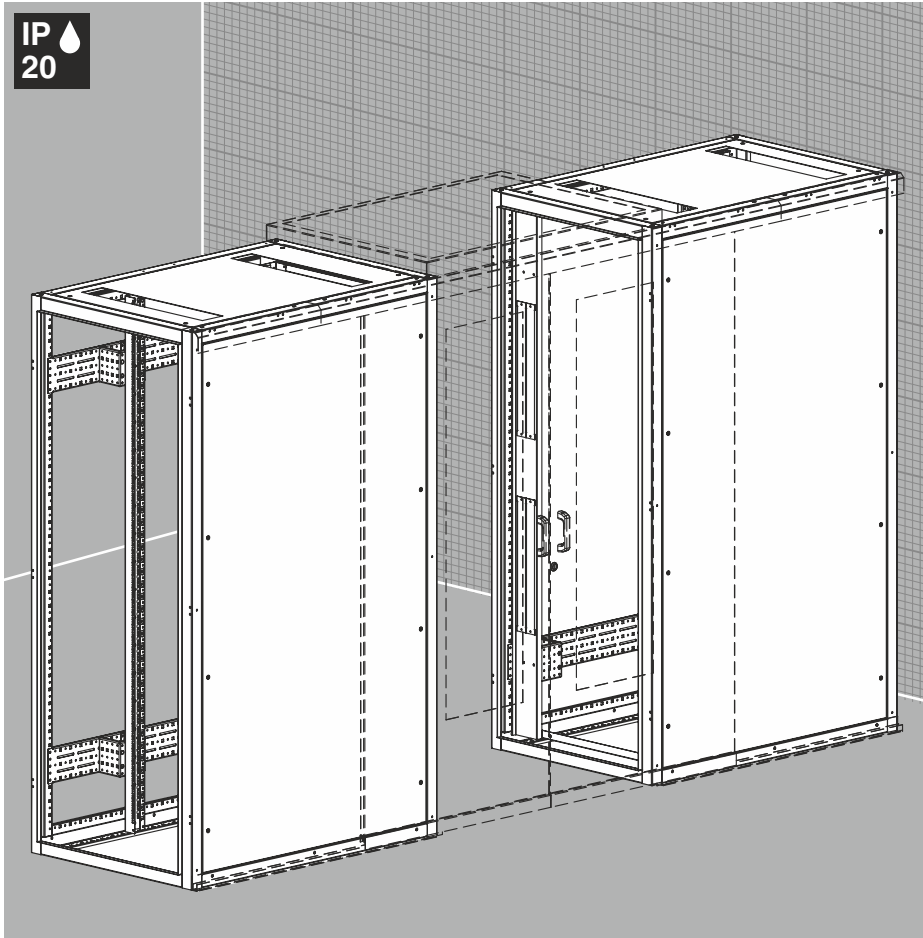






## 19" Server enclosure XL-3D

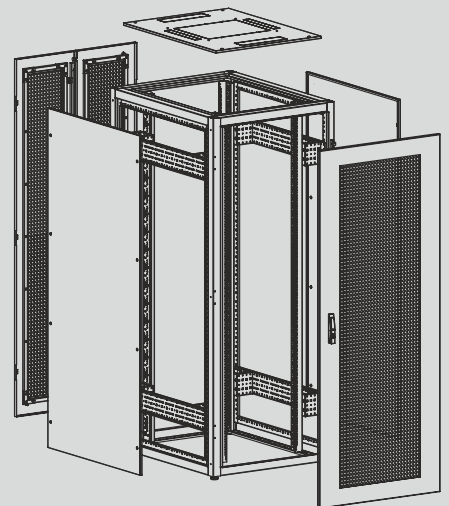
IP  
20



### Technical characteristics

<b>Protection degree:</b>	IP20, IK10
<b>Load, kg:</b>	80
<b>Type of construction:</b>	welded framework of steel frames
<b>Material:</b>	frame, walls and door: sheet steel; 19" profiles: sheet steel
<b>Surface:</b>	frame, walls and door: RAL 7035 structured powder coating; 19" profiles: galvanized
<b>Lock:</b>	3-point double-bit lock with twist handle
<b>Hinge:</b>	mounted with 180° opening.
<b>Supply includes:</b>	framework with roof panel, door, back wall, side walls, set for 19" installation, screw support, keys, packing
<b>Options:</b>	special coloring
<b>Accessories:</b>	detailed information look <b>System Accessories</b>
<b>Drawing:</b>	page №116

Montage- Height, HE	Height L, mm	Width B, mm	Depth C, mm	Order No.
42	2000	600	1200	<b>XL-3D42U612</b>
46	2200	600	1200	<b>XL-3D46U612</b>
42	2000	800	1200	<b>XL-3D42U812</b>
46	2200	800	1200	<b>XL-3D46U812</b>





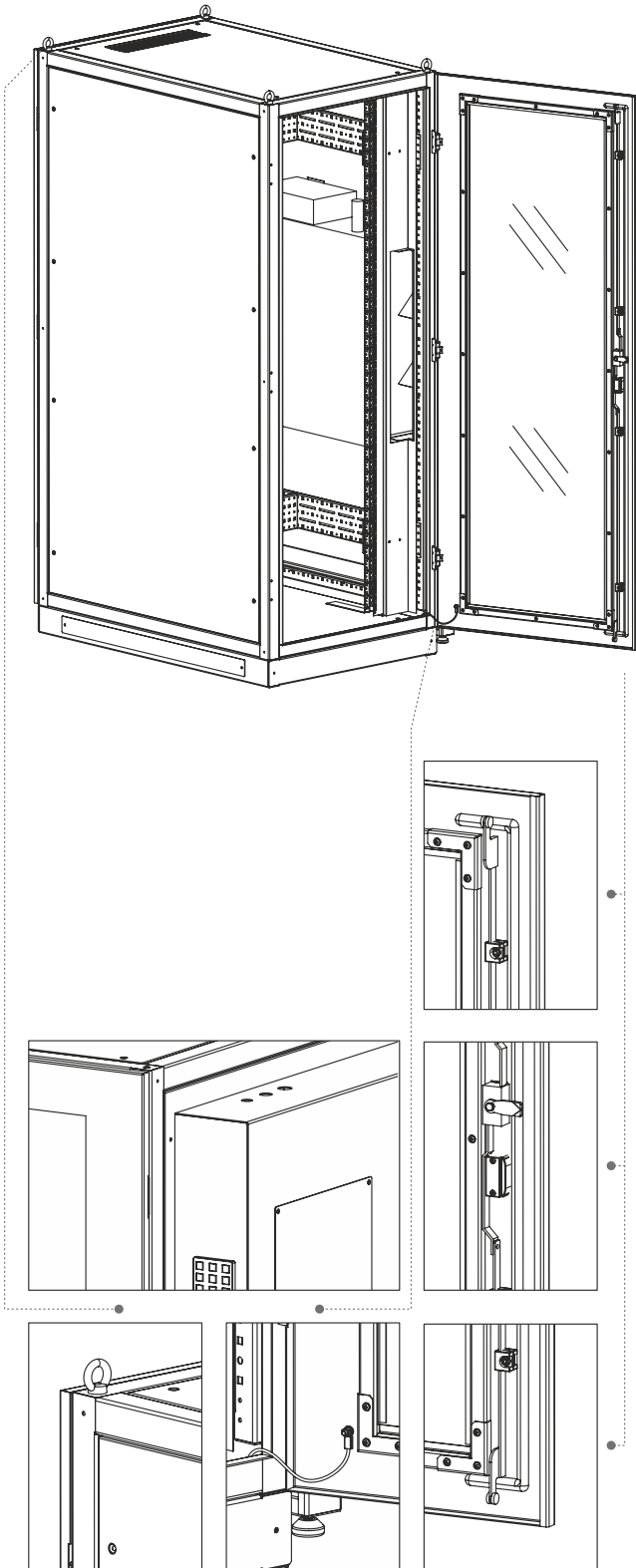
## 19" SERVER ENCLOSURES FOR THE TELECOMMUNICATIONS EQUIPMENT

### Cooling server enclosure XL-IDC

The cooling server cabinet XL-IDS of direct cooling. Uniform system of placement, conditioning and elimination of noise of the server hardware. It is used for installation of the passive, active telecommunication equipment.

### Enclosures are created according to the following requirements of IT specialists:

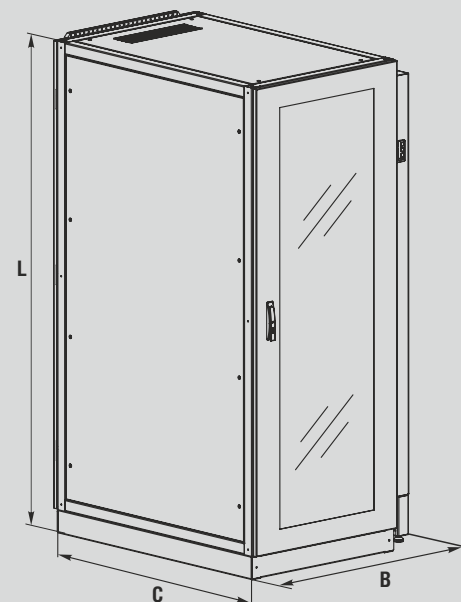
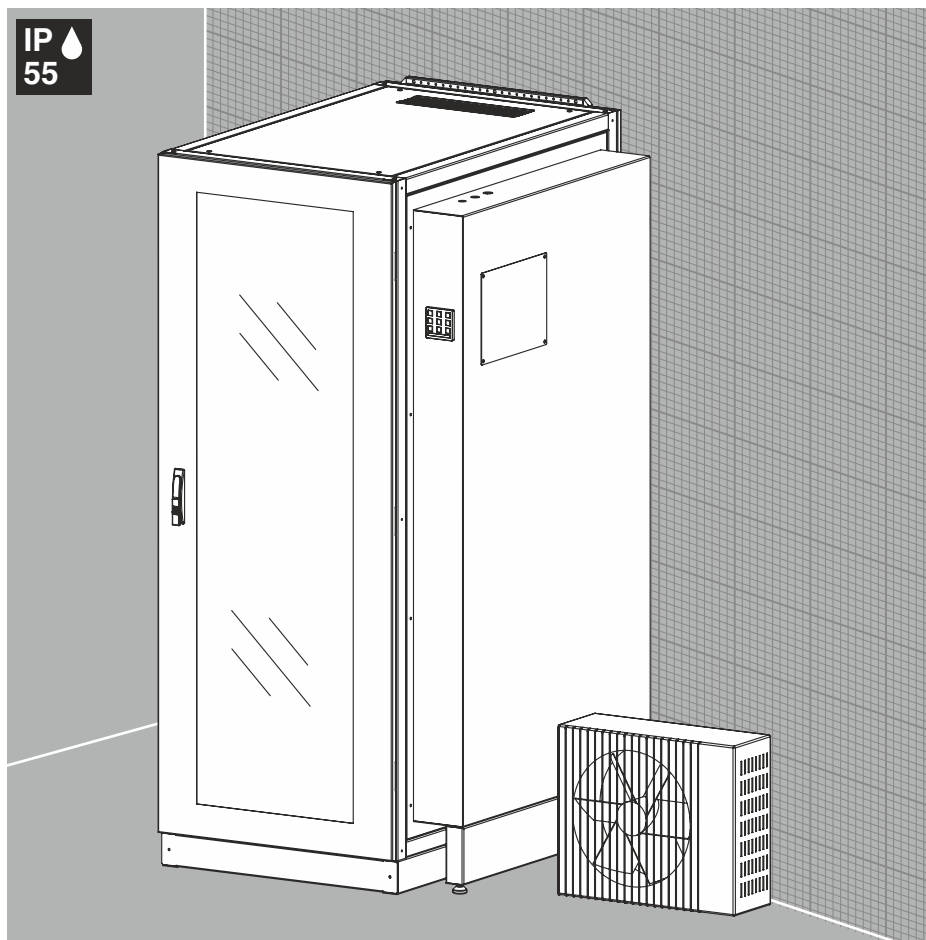
- Modern design
- Wide choice of standard sizes
- Protection degree IP55
- Resistance to external mechanical influence of not less IK08
- Power of cooling and use of the electric power are defined by the current thermal loading
- Reversible doors with the angle of opening to 170°
- Cabinet is mounted on the plinth with 100 mm high
- Removable sidewalls
- Existence in a perforation roof for ensuring free and compulsory ventilation
- An opportunity to install 19" rails at various depth with a step of 25 mm
- All-round foamed-in PU seal against mechanical deformation and influence of the external environment
- The anticorrosive covering is reached by phosphatization operation, and the decorative covering is executed by wear proof powder paint of light gray color (RAL7035)
- Existence of accessories: rails, panel caps, fans, etc





## 19" Server enclosure XL-IDC

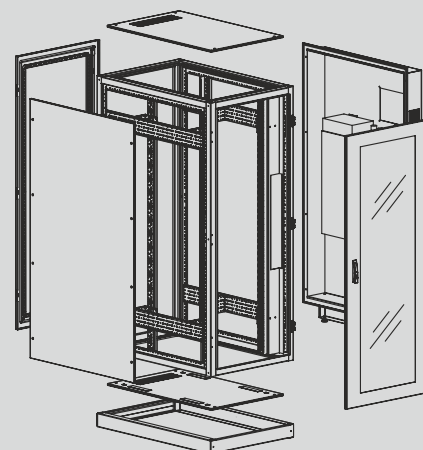
IP  
55



### Technical characteristics

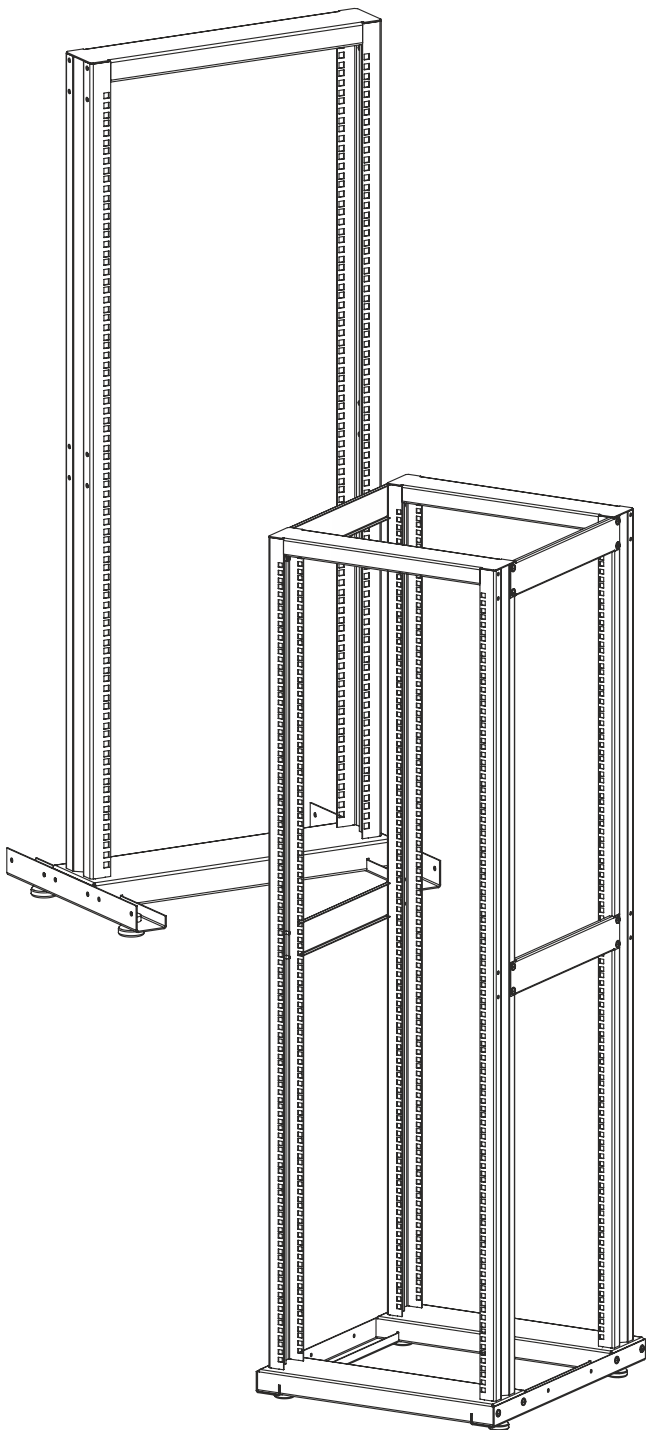
<b>Protection degree:</b>	IP55, IK08
<b>Load, kg:</b>	1540
<b>Type of construction:</b>	welded framework of steel frames
<b>Material:</b>	sheet steel
<b>Surface:</b>	framework, door, walls: RAL 7035 structured powder coating; set for 19" installation: galvanized
<b>Lock:</b>	3-point double-bit lock with twist handle
<b>Hinge:</b>	mounted with 120° opening
<b>Supply includes:</b>	framework with roof panel, viewing door with lock, side walls, cooling device, set for 19" installation, panel for air restriction (2 pcs), document holder, bottom protection, plinth 100 mm, keys, packing
<b>Options:</b>	equipment for support of a microclimate; equipment for the organization of system of monitoring; equipment for the system of automatic gas fire extinguishing; equipment for the system of leak of water and condensate; installation of the cooling system
<b>Accessories:</b>	detailed information look <b>System Accessories</b>
<b>Drawing:</b>	page №117

Montage-Height, HE	Height L, mm	Width B, mm	Depth C, mm	Order No.
42	2000	900	1000	<b>XL-IDC42U810-3.5</b>
42	2000	900	1000	<b>XL-IDC42U810-5.0</b>
42	2000	900	1000	<b>XL-IDC42U810-7.1</b>
42	2000	900	1200	<b>XL-IDC42U812-3.5</b>
42	2000	900	1200	<b>XL-IDC42U812-5.0</b>
42	2000	900	1200	<b>XL-IDC42U812-7.1</b>
42	2000	900	1200	<b>XL-IDC42U812-10.0</b>
42	2000	900	1200	<b>XL-IDC42U812-12.5</b>
42	2000	900	1200	<b>XL-IDC42U812-14.0</b>





## 19" IT-RACKS X-I, X-IC



### 19" IT-racks

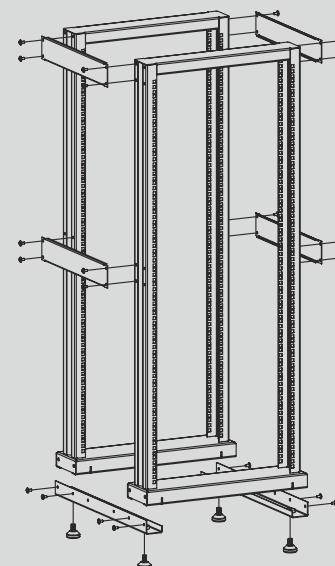
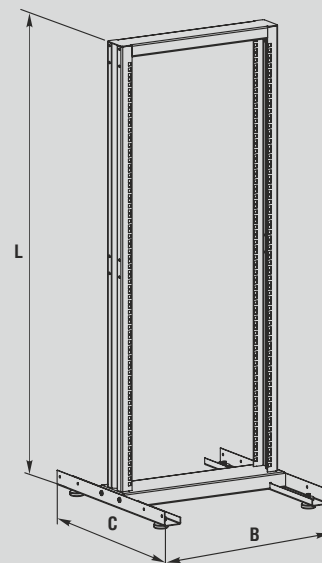
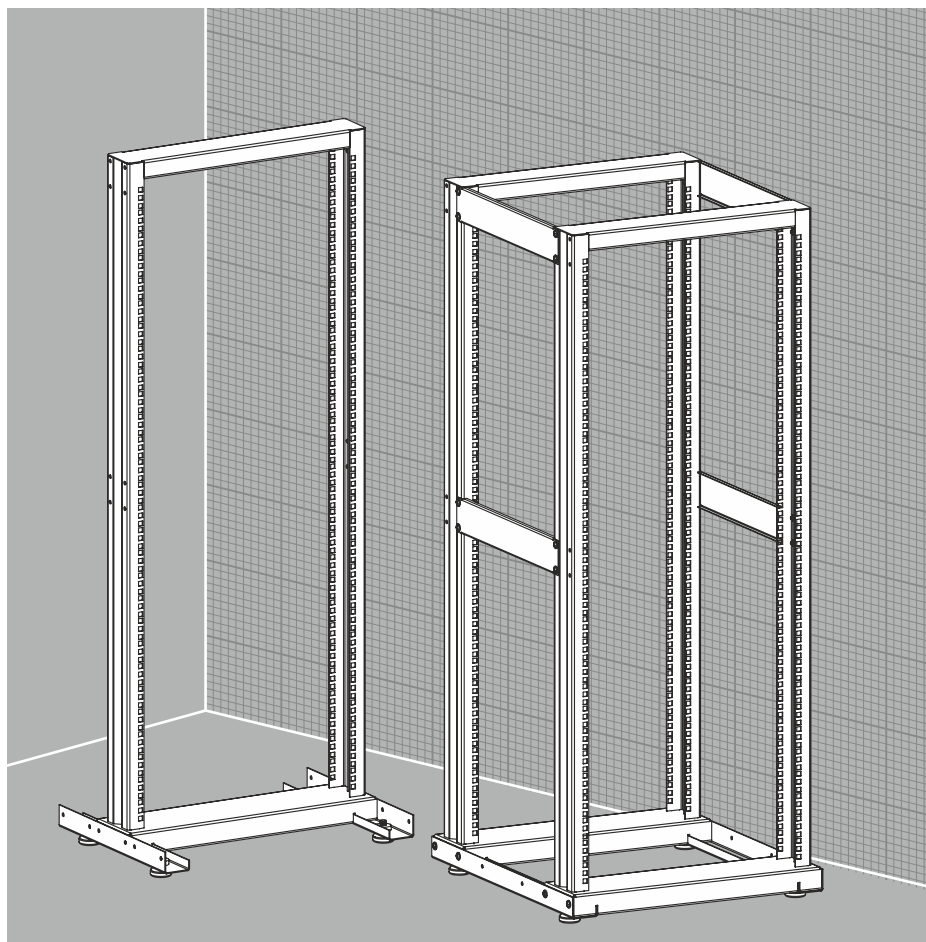
High loading capacity, convenience of installation and operation of the equipment, low cost in comparison with enclosures, does IT-racks by the universal economic decision for installation passive and active 19" the telecommunication equipment which isn't demanding additional protection. Are installed in switching knots with limited right of access.

#### Enclosures are created according to the following requirements of IT specialists:

- Modern design
- Wide choice of standard sizes
- The high rigidity of a rack is provided by means of forward and back welded frames
- The distance between frames is regulated by shift on the punched support with a step of 200 mm
- Additional strength of a rack is given by 4 couples of horizontal crossing points connecting frames in the top and central part
- All conducting parts of a rack are grounded among themselves
- Support of a rack are mounted on adjustable screw support with a possibility of installation on rollers
- The anticorrosive covering is reached by phosphatization operation, and the decorative covering is executed by wear proof powder paint of light gray color (RAL7035)
- Existence of accessories: rails, fans, blocks of sockets, panels caps, etc
- Delivery in unassembled form



## 19" IT-racks X-I, X-IC



### Technical characteristics

<b>Load, kg:</b>	300
<b>Material:</b>	frame and basis: sheet steel
<b>Surface:</b>	frame and sheet steel: RAL 7035 structured powder coating
<b>Supply includes:</b>	frame, basis, screw support, packing
<b>Options:</b>	special coloring
<b>Accessories:</b>	detailed information look <b>System Accessories</b>
<b>Drawing:</b>	page N°118

Montage-Height, HE	Height L, mm	Width, mm	Depth C, mm	Order No.
28	1400	550	600	X-I28U66
33	1600	550	600	X-I33U66
37	1800	550	600	X-I37U66
42	2000	550	600	X-I42U66
28	1400	550	600	X-IC28U66
33	1600	550	600	X-IC33U66
37	1800	550	600	X-IC37U66
42	2000	550	600	X-IC42U66
46	2200	550	600	X-IC46U66
28	1400	550	800	X-IC28U68
33	1600	550	800	X-IC33U68
37	1800	550	800	X-IC37U68
42	2000	550	800	X-IC42U68
46	2200	550	800	X-IC46U68
50	2400	550	600	X-IC50U66
50	2400	550	800	X-IC50U68



## 19" WALL MOUNTED ENCLOSURES FOR THE TELECOMMUNICATIONS EQUIPMENT

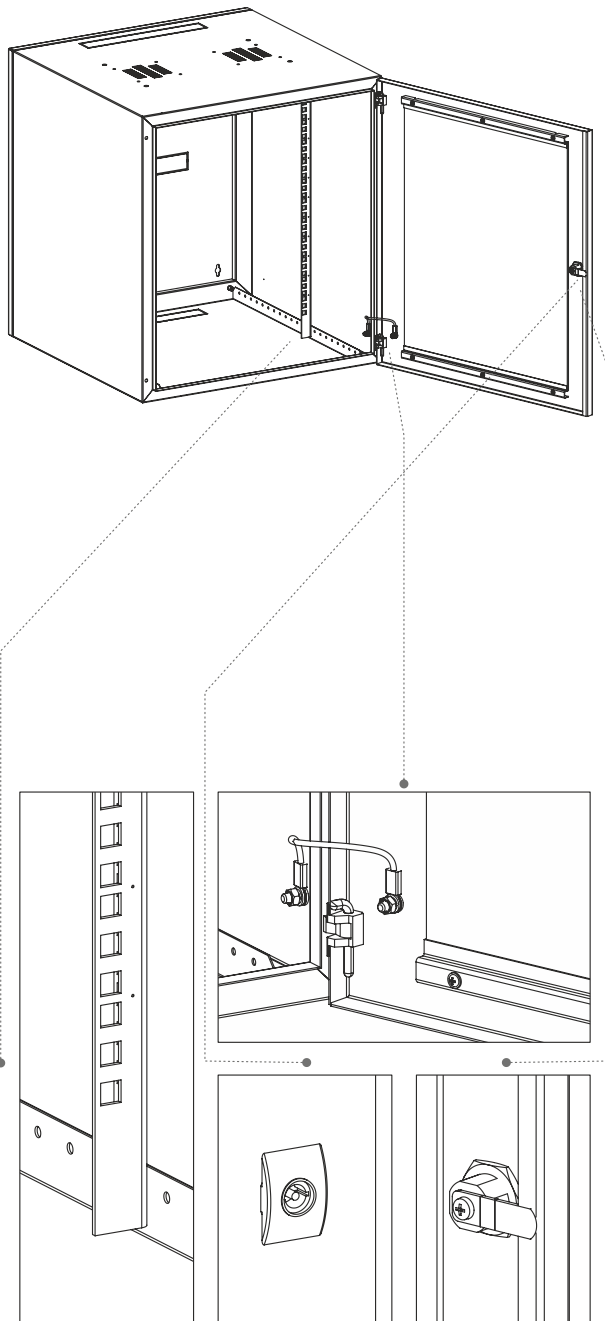
### 19" Wall-mounted enclosures X-IP, X-IQ

Are used for installation of the passive, active telecommunication equipment.

It is most often used at offices for creation knots of switching and also by IT-providers for creation of home networks.

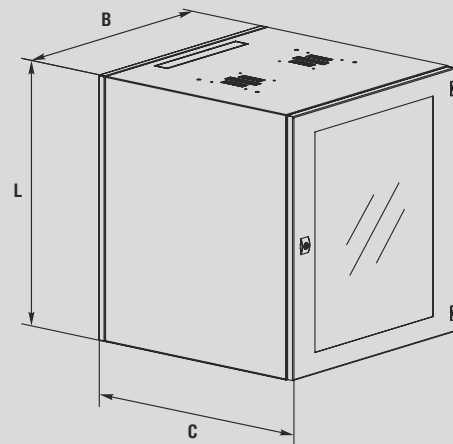
#### Enclosures are created according to the following requirements of IT specialists:

- Modern design
- Wide choice of standard sizes
- Protection degree IP20
- Resistance to external mechanical influence of not less IK08
- Reversible doors with the angle of opening to 180°
- The viewing door is supplied with two-point double-bit lock
- Removable sidewalls
- Positions for the organization of input of cables are provided in a roof, the bottom and a back wall of an enclosure
- Existence in a perforation roof for ensuring free and compulsory ventilation
- An opportunity to install 19" rails at various depth with a step of 25 mm
- The anticorrosive covering is reached by phosphatization operation, and the decorative covering is executed by wear proof powder paint of light gray color (RAL7035)
- Existence of accessories: rails, panel caps, fans, etc



## 19" Wall mounted enclosures X-IP

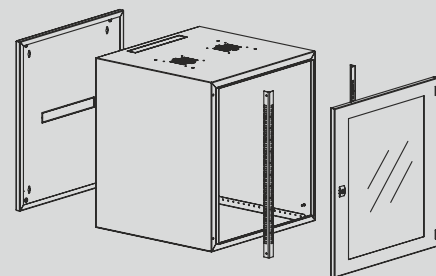
IP  
20



### Technical characteristics

<b>Protection degree:</b>	IP20, IK08
<b>Load, kg:</b>	45
<b>Type of construction:</b>	welded enclosure
<b>Material:</b>	enclosure: sheet steel; door: sheet steel, glass; walls: sheet steel; 19" profiles: sheet steel.
<b>Surface:</b>	enclosure and door: RAL 7035 structured powder coating; 19" profiles: galvanized
<b>Lock:</b>	3 mm double-bit
<b>Hinge:</b>	mounted with 180° opening
<b>Supply includes:</b>	enclosure, viewing door with lock, 19" profiles (2 pcs.), key, packing
<b>Options:</b>	special coloring
<b>Accessories:</b>	detailed information look <b>System Accessories</b>
<b>Drawing:</b>	page №120

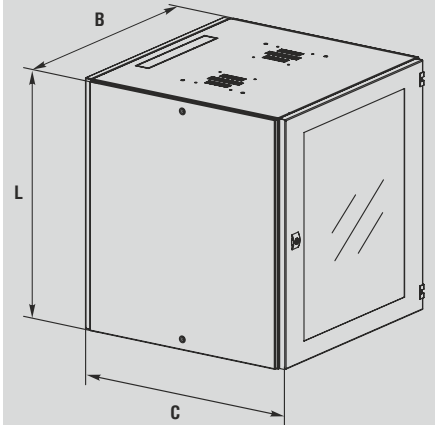
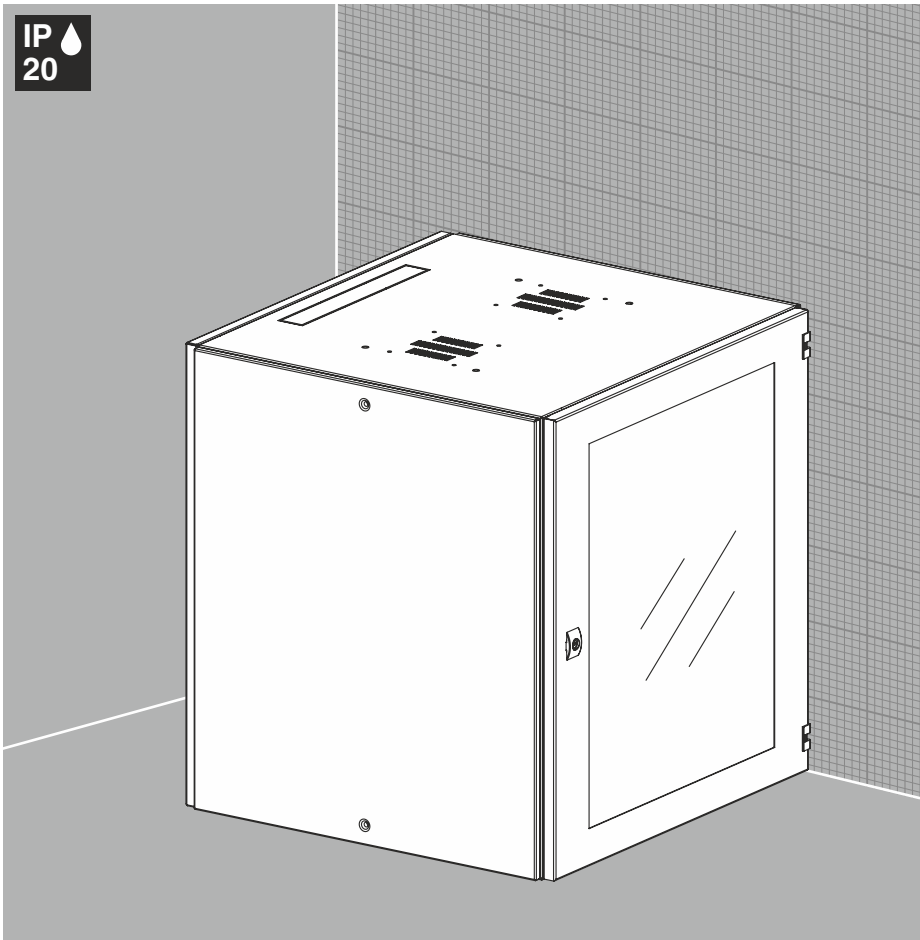
Montage- Height, HE	Height L, mm	Width B, mm	Depth C, mm	Order No.
4	250	600	400	<b>X-IP4U64</b>
6	350	600	400	<b>X-IP6U64</b>
6	350	600	600	<b>X-IP6U66</b>
9	500	600	400	<b>X-IP9U64</b>
9	500	600	600	<b>X-IP9U66</b>
12	650	600	400	<b>X-IP12U64</b>
12	650	600	600	<b>X-IP12U66</b>
15	800	600	400	<b>X-IP15U64</b>
15	800	600	600	<b>X-IP15U66</b>
18	950	600	400	<b>X-IP18U64</b>
18	950	600	600	<b>X-IP18U66</b>





## 19" Wall mounted enclosures X-IQ

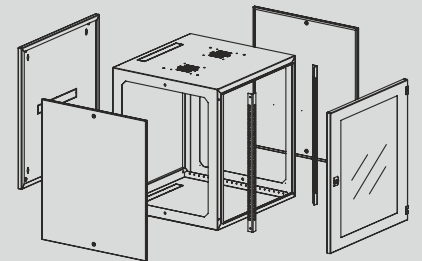
IP  
20



### Technical characteristics

<b>Protection degree:</b>	IP20, IK08
<b>Load, kg:</b>	45
<b>Type of construction:</b>	welded enclosure
<b>Material:</b>	enclosure: sheet steel; door: sheet steel, glass; 19" profiles: sheet steel
<b>Surface:</b>	enclosure and door: RAL 7035 structured powder coating; 19" profiles: galvanized
<b>Lock:</b>	3 mm double-bit
<b>Hinge:</b>	mounted with 180° opening
<b>Supply includes:</b>	enclosure, viewing door with lock, 19" profiles (2 pcs.), key, packing
<b>Options:</b>	special coloring
<b>Accessories:</b>	detailed information look <b>System Accessories</b>
<b>Drawing:</b>	page №121

Montage- Height, HE	Height L, mm	Width B, mm	Depth C, mm	Order No.
4	250	625	400	<b>X-IQ4U64</b>
6	350	625	400	<b>X-IQ6U64</b>
6	350	625	600	<b>X-IQ6U66</b>
9	500	625	400	<b>X-IQ9U64</b>
9	500	625	600	<b>X-IQ9U66</b>
12	650	625	400	<b>X-IQ12U64</b>
12	650	625	600	<b>X-IQ12U66</b>
15	750	625	400	<b>X-IQ15U64</b>
15	750	625	600	<b>X-IQ15U66</b>
18	850	625	400	<b>X-IQ18U64</b>
18	850	625	600	<b>X-IQ18U66</b>







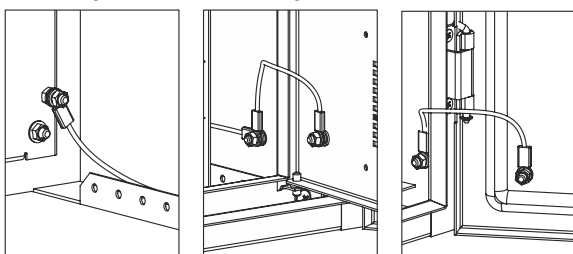
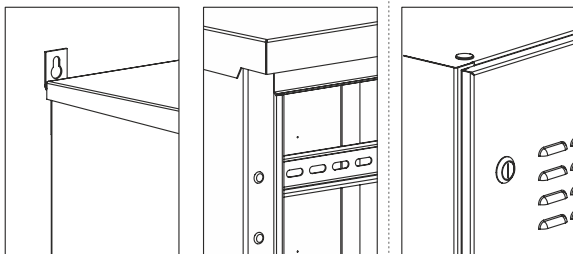
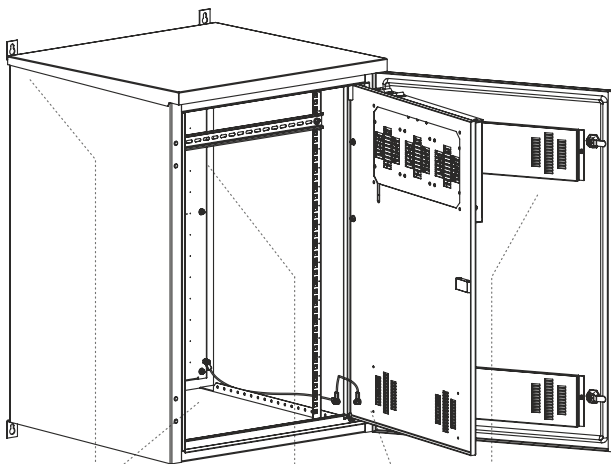
## CLIMATE WALL-MOUNTED ENCLOSURES X-CC

### Climate wall-mounted enclosures X-CC

All-weather cabinets with the microclimate control system. Are used for installation of the passive, active telecommunication equipment.

#### Enclosures are created according to the following requirements of IT specialists:

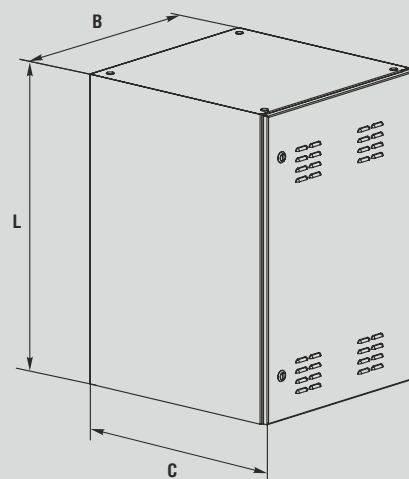
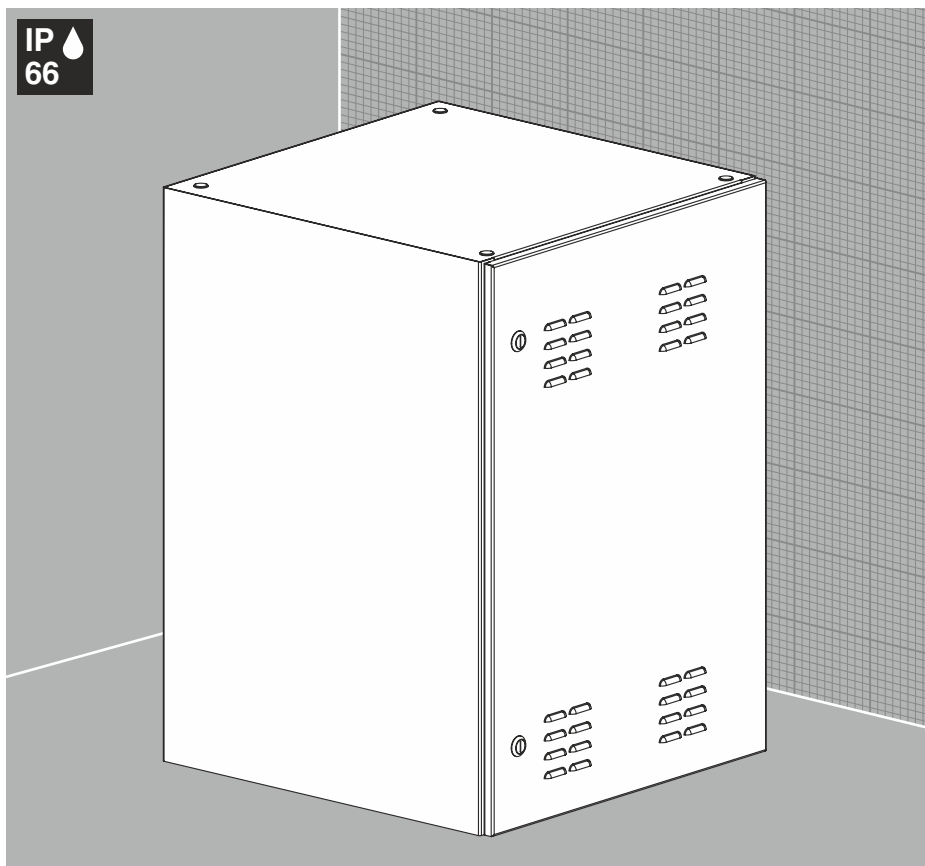
- Modern design
- Wide choice of standard sizes
- Protection degree IP66
- Resistance to external mechanical influence of not less IK10
- All-round foamed-in PU seal against mechanical deformation and influence of the external environment
- The anticorrosive covering is reached by phosphatization operation, and the decorative covering is executed by wear proof powder paint of light gray color (RAL7035)
- Existence of accessories: mounting panels, rain roofs, fans, etc





## 19" Wall mounted enclosures X-CC

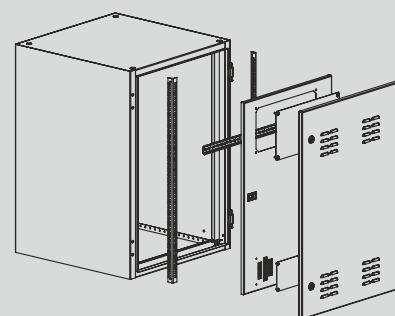
IP  
66

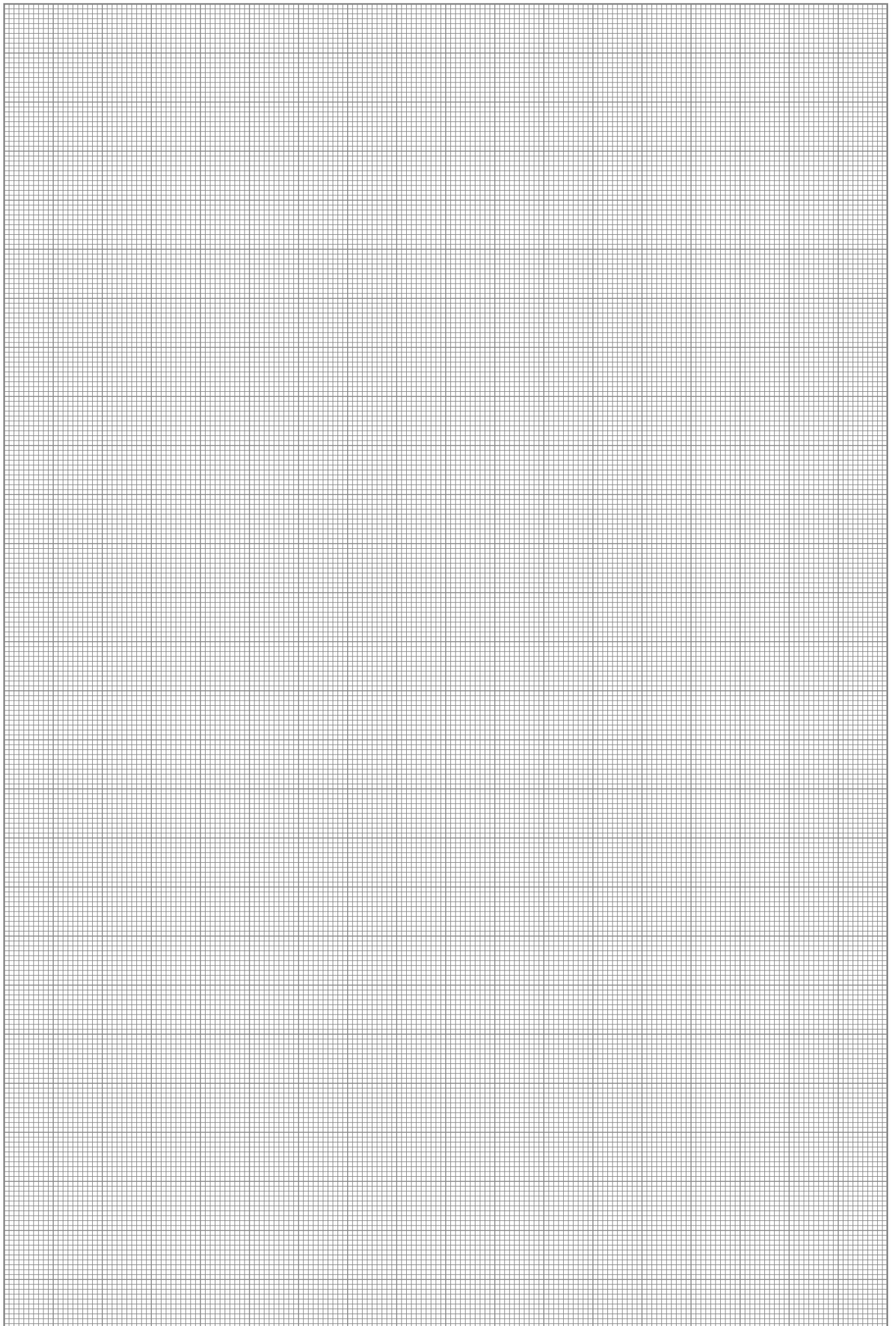


### Technical characteristics

<b>Protection degree:</b>	IP66, IK10
<b>Un, B:</b>	1000
<b>In, A:100</b>	Load, kg:80
<b>Type of construction:</b>	welded enclosure
<b>Material:</b>	sheet steel
<b>Surface:</b>	enclosure: RAL 7035 structured powder coating; mounting plate: galvanized
<b>Sealing:</b>	all-round foamed-in PU seal
<b>Lock:</b>	3 mm double-bit
<b>Hinge:</b>	mounted with 180° opening
<b>Supply includes:</b>	enclosure, door external with blinds, an inside door with perforation, pockets with the filtering element and heater, the system of installation 19", a DIN lath, set of steel caps, sealing glands of cable entry, grounding set, packing.
<b>Options:</b>	mounting plate, fans, filters, thermostat, rain roof
<b>Accessories:</b>	detailed information look <b>System Accessories</b>
<b>Drawing:</b>	page N°119

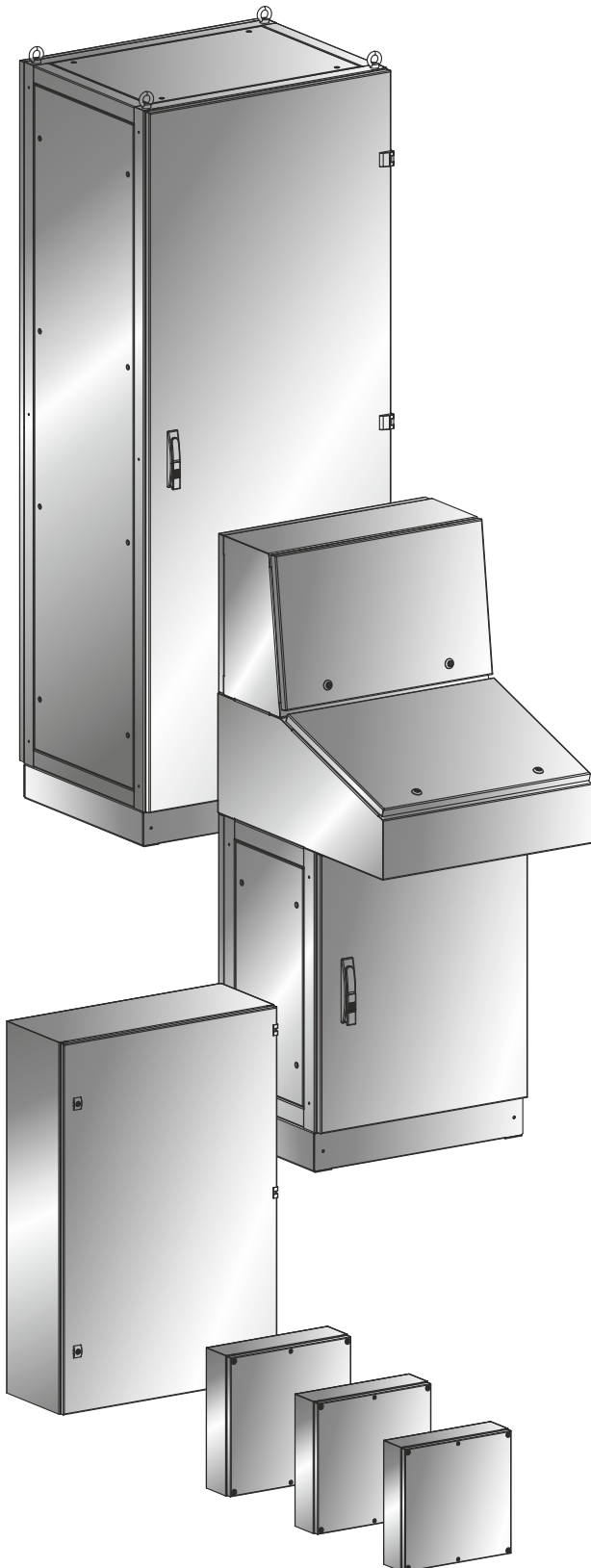
Montage-Height, HE	Height L, mm	Width B, mm	Depth C, mm	Order No.
6	350	600	600	<b>X-CC6U66</b>
9	500	600	600	<b>X-CC9U66</b>
12	650	600	600	<b>X-CC12U66</b>
15	750	600	600	<b>X-CC15U66</b>
18	850	600	600	<b>X-CC18U66</b>







## STAINLESS STEEL ENCLOSURES



## Stainless steel enclosures

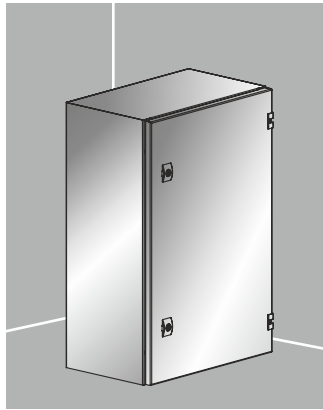
Range of production represents a full set of stainless steel enclosures for control systems and automation in places with hostile environment. Stainless steel enclosures system has found application in such areas as: power distribution, automation, food and chemical industry and also in the areas with modern methods of automation of manufacturing; civil engineering and infrastructures.

### Enclosures are designed according to the following requirements of panel builders:

- Wide choice of standard sizes
- Protection degree IP55/66
- Resistance to external mechanical influence of not less IK08
- The welded enclosure is made completely of a steel sheet 1,5 / 2,0 mm thick and punched with a step of 25 mm for installation of the equipment
- The door is made of stainless steel 2.0 mm thick, the roof panel, back and sidewalls from steel 1.5 mm thick. Doors can be steel continuous, two-fold or with an insert from the tempered glass 4.0 mm thick
- Reversible doors with the three-point lock with double-bit and the strengthening frame from a galvanized pipe with openings for installation, with the angle of opening to 120°
- The symmetry of enclosures allows to connect frames simply and quickly – at the left, on the right
- A possibility of installation of a cabinet on a plinth 100 and 200 mm high
- All-round foamed-in PU seal against mechanical deformation and influence of the external environment
- Galvanized assembly plates and panels with a marking for positioning of the equipment
- All details of a cabinet are equipped with grounding plugs
- Convenient and fast installation
- Wide choice of additional options

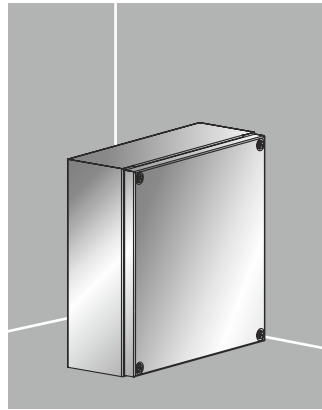


# Stainless steel enclosures



**LS66**

page 50



**SS66**

page 51



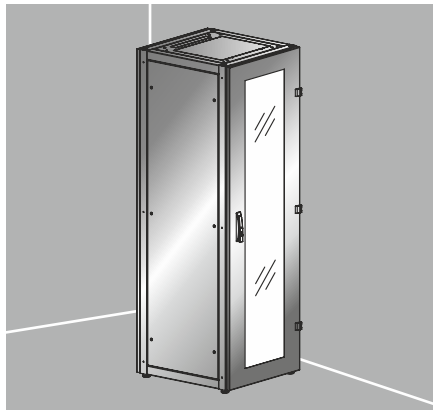
**XLS55**

page 46



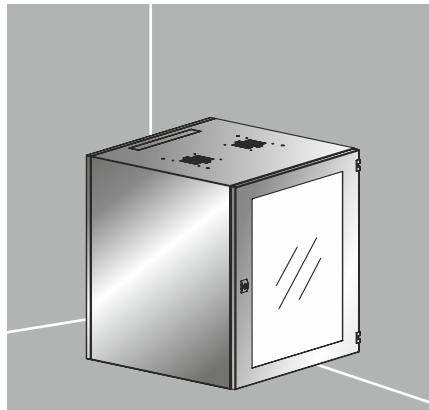
**XLDS55**

page 47



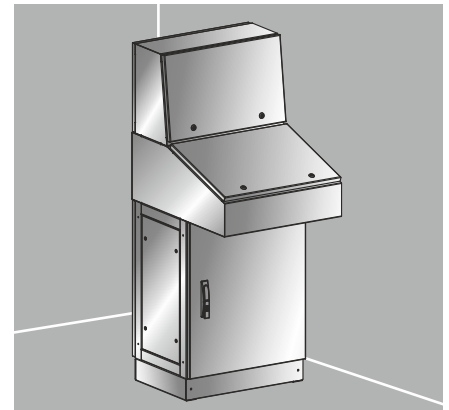
**XLS-IT**

page 52



**XS-IP**

page 53



**XLSPUIT**

page 54

	LS66	SS66	XLS55	XLDS55
1	IP66, IK10	IP66, IK10	IP55, IK10	IP55, IK10
2	Stainless steel 1,5/2,0 mm	Stainless steel 1,0 mm	Stainless steel 1,5/2,0 mm	Stainless steel 1,5/2,0 mm
3	steel 2,0 mm, galvanized	possible	-	steel 2,0 mm, galvanized
4	standard	standard	standard	standard
5	possible	possible	possible	possible

	XLS-IT	XS-IP	XLSPUIT
1	IP55, IK10	IP20, IK10	IP55, IK10
2	Stainless steel 1,5/2,0 mm	Stainless steel 1,5 mm	Stainless steel 1,5/2,0 mm
3	steel 2,0 mm, galvanized	-	-
4	standard	standard	standard
5	possible	possible	possible

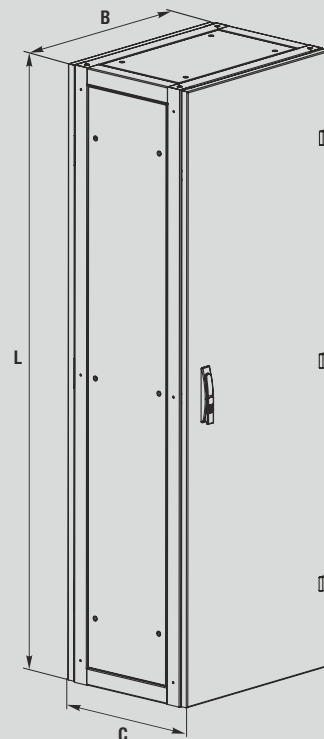
1 - protection degree, 2 - housing, 3 - mounting plate, 4 - accessories, 5 - special sizes



## Power distribution enclosures from stainless steel XLS55

**INOX**  
AISI 304

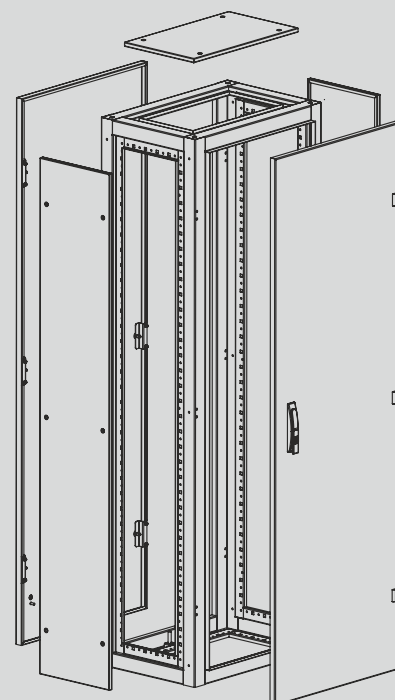
**IP**  
55



### Technical characteristics

<b>Protection degree:</b>	IP55, IK10
<b>Un, B:</b>	1000
<b>In, A:</b>	2500
<b>Load, kg:</b>	800
<b>Type of construction:</b>	welded framework of steel frames
<b>Material:</b>	framework, door, walls: stainless steel AISI 304
<b>Surface:</b>	framework, door, walls: brushed, grain 180
<b>Sealing:</b>	all-round foamed-in PU seal
<b>Lock:</b>	3 mm double-bit
<b>Hinge:</b>	mounted with 120° opening
<b>Supply includes:</b>	framework with roof panel, door with lock, back wall, side walls, grounding set, key, packing
<b>Options:</b>	special dimensions, AISI 316L
<b>Accessories:</b>	detailed information look <b>System Accessories</b>
<b>Drawing:</b>	page N°88

Height L, mm	Width B, mm	Depth C, mm	Order No.
1400	600	400	<b>XLS55-1464</b>
1400	600	600	<b>XLS55-1466</b>
1400	800	600	<b>XLS55-1484</b>
1400	800	600	<b>XLS55-1886</b>
1600	600	400	<b>XLS55-1664</b>
1600	600	600	<b>XLS55-1666</b>
1600	800	400	<b>XLS55-1684</b>
1600	800	600	<b>XLS55-1686</b>
1800	600	400	<b>XLS55-1864</b>
1800	600	600	<b>XLS55-1866</b>
1800	800	400	<b>XLS55-1884</b>
1800	800	600	<b>XLS55-1886</b>
2000	600	400	<b>XLS55-2064</b>
2000	600	600	<b>XLS55-2066</b>
2000	800	400	<b>XLS55-2084</b>
2000	800	600	<b>XLS55-2086</b>

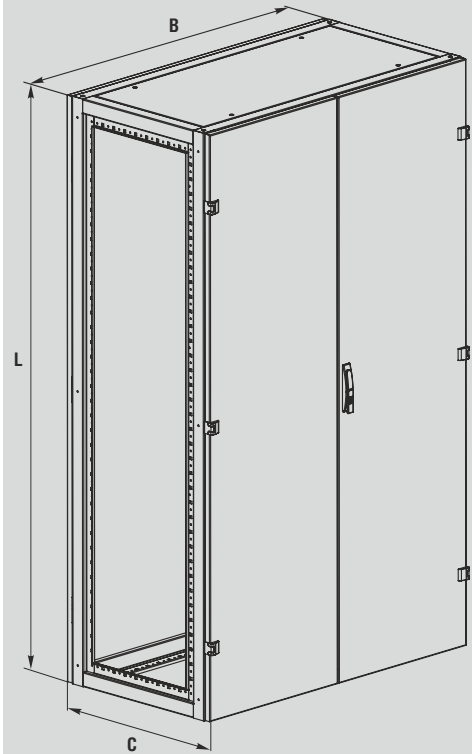
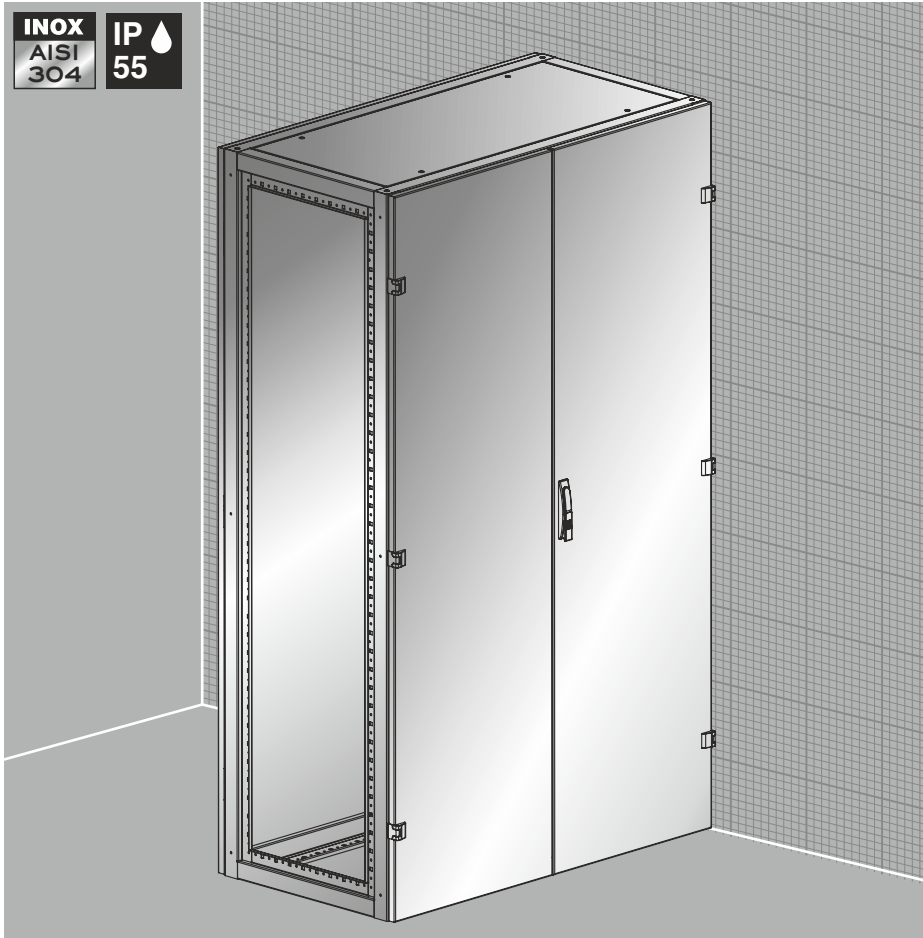




## Power distribution enclosures from stainless steel XLDS55

**INOX**  
AISI 304

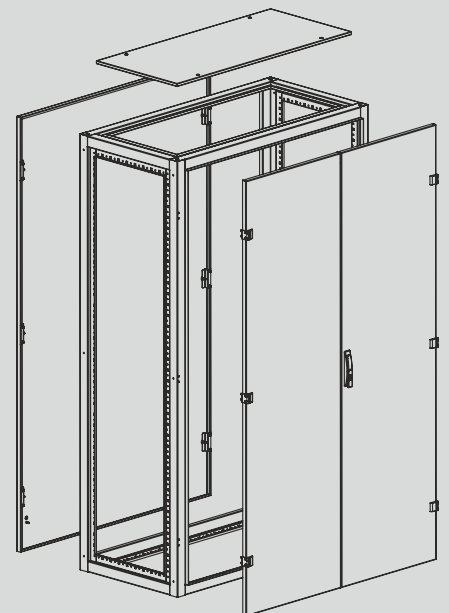
**IP**  
55



### Technical characteristics

- Un, B:** 1000
- In, A:** 2500
- Load, kg:** 800
- Type of construction:** welded framework of steel frames
- Material:** framework, door, walls: stainless steel AISI 304
- Surface:** framework, door, walls: brushed, grain 180; mounting plate: galvanized
- Sealing:** all-round foamed-in PU seal
- Lock:** 3 mm double-bit
- Hinge:** mounted with 120° opening
- Supply includes:** framework with roof panel, double leaf door with lock, back wall, side walls, grounding set, key, packing
- Options:** special dimensions, AISI 316L
- Accessories:** detailed information look **System Accessories**
- Drawing:** page №90

Height L, mm	Width B, mm	Depth C, mm	Order No.
2000	1000	400	<b>XLDS55-20104</b>
2000	1000	600	<b>XLDS55-20106</b>
2000	1200	400	<b>XLDS55-20124</b>
2000	1200	600	<b>XLDS55-20126</b>

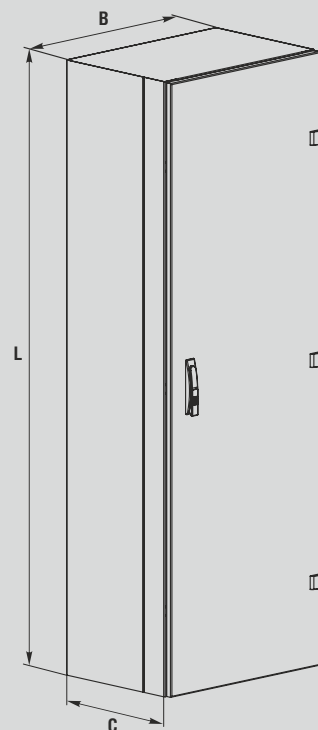




## Power distribution enclosures from stainless steel XMS66

**INOX**  
AISI  
304

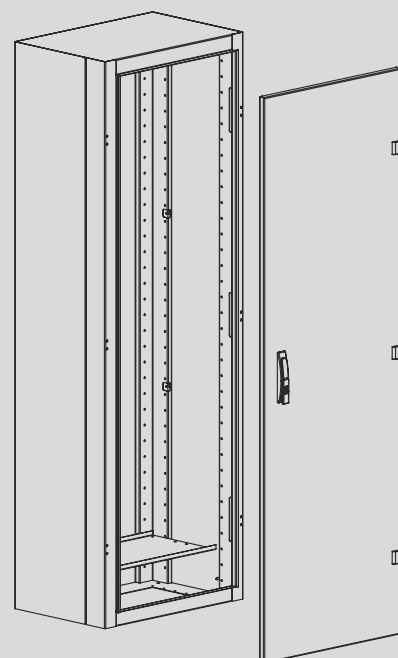
**IP**  
66



### Technical characteristics

<b>Protection degree:</b>	IP66, IK10
<b>Un, B:</b>	1000
<b>In, A:</b>	2500
<b>Load, kg:</b>	800
<b>Type of construction:</b>	welded enclosure
<b>Material:</b>	stainless steel AISI 304
<b>Surface:</b>	brushed, grain 180
<b>Sealing:</b>	all-round foamed-in PU seal
<b>Lock:</b>	3 mm double-bit
<b>Hinge:</b>	mounted with 120° opening
<b>Supply includes:</b>	enclosure, door with lock, bottom protection, grounding set, key, packing
<b>Options:</b>	AISI 316L
<b>Accessories:</b>	detailed information look <b>System Accessories</b>
<b>Drawing:</b>	page N°101

Height L, mm	Width B, mm	Depth C, mm	Order No.
1600	600	400	<b>XMS66-1664</b>
1800	600	400	<b>XMS66-1864</b>
1800	800	400	<b>XMS66-1884</b>
1800	1000	400	<b>XMS66-18104</b>
2000	600	400	<b>XMS66-2064</b>
2000	800	400	<b>XMS66-2084</b>
2000	800	600	<b>XMS66-2086</b>



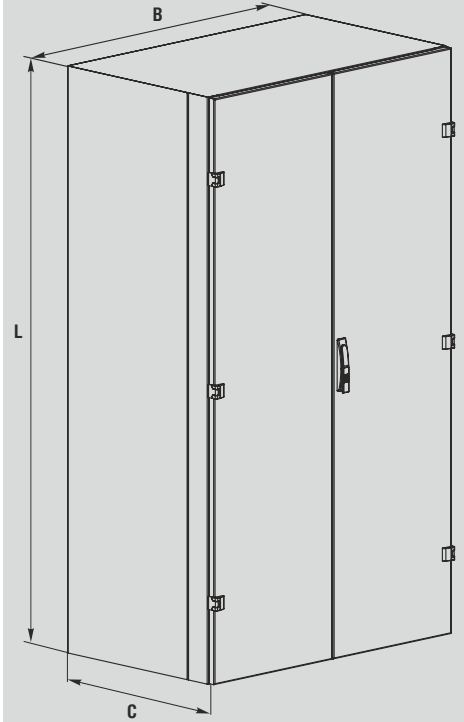
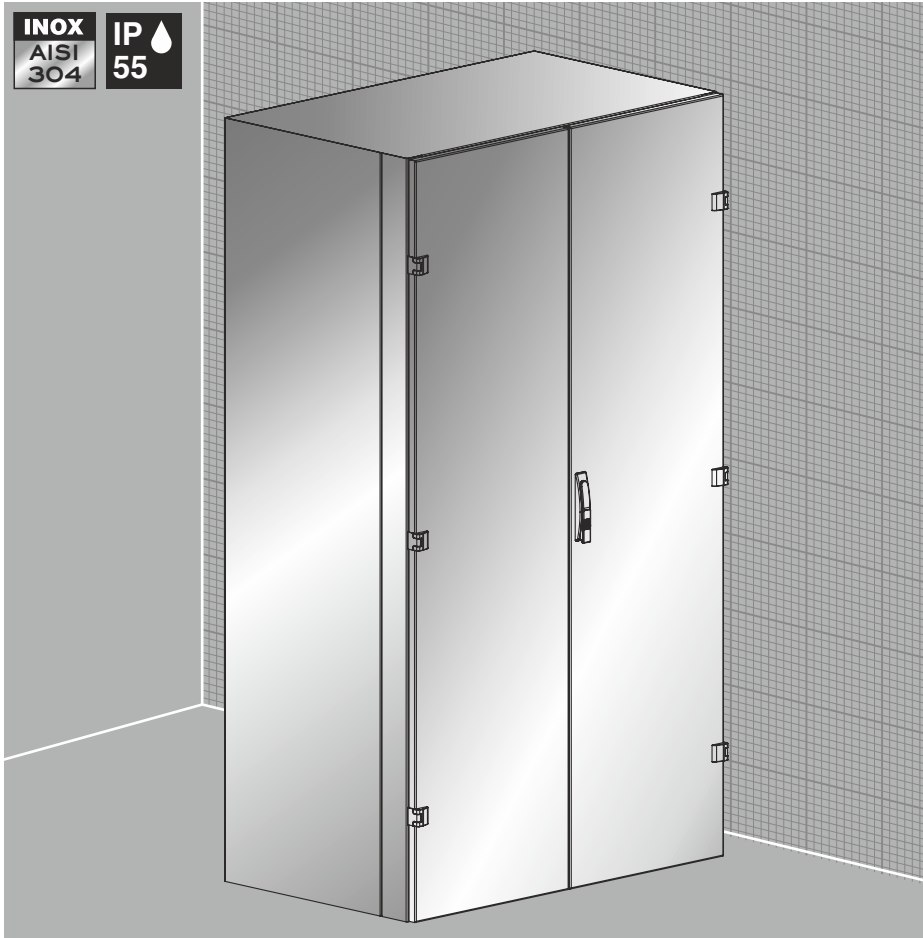




## Power distribution enclosures from stainless steel XMDS55

**INOX**  
AISI 304

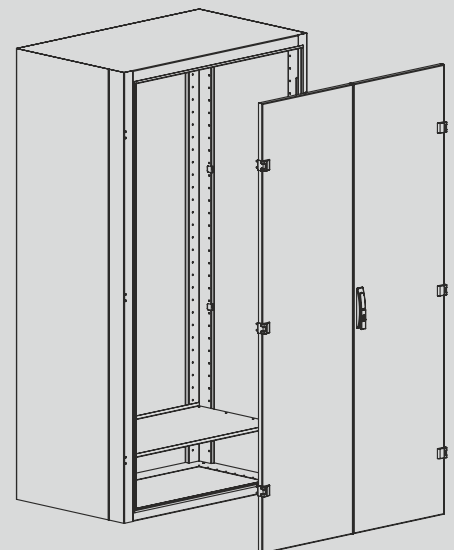
**IP**  
55



### Technical characteristics

- Protection degree:** IP55, IK10
- Un, B:** 1000
- In, A:** 2500
- Load, kg:** 800
- Type of construction:** welded enclosure
- Material:** stainless steel AISI 304
- Surface:** brushed, grain 180
- Sealing:** all-round foamed-in PU seal
- Lock:** 3 mm double-bit
- Hinge:** mounted with 120° opening
- Supply includes:** enclosure, door with lock, bottom protection, grounding set, key, packing
- Options:** AISI 316L
- Accessories:** detailed information look  
**System Accessories**
- Drawing:** page N°103

Height L, mm	Width B, mm	Depth C, mm	Order No.
1600	1200	400	<b>XMDS55-16124</b>
1800	1200	400	<b>XMDS55-18124</b>
2000	1200	400	<b>XMDS55-20124</b>

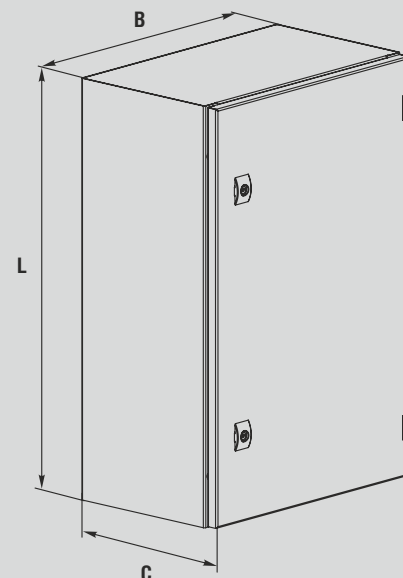




## Compact enclosures from stainless steel LS66

**INOX**  
AISI  
304

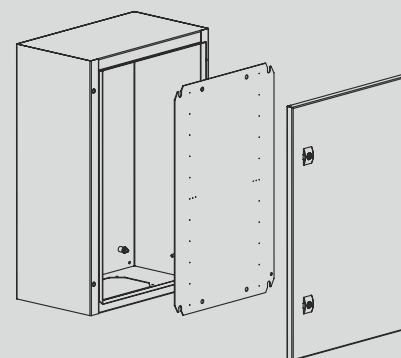
**IP**  
66



### Technical characteristics

<b>Protection degree:</b>	IP66, IK10
<b>Un, B:</b>	1000
<b>In, A:</b>	100
<b>Load, kg:</b>	100
<b>Type of construction:</b>	welded enclosure
<b>Material:</b>	enclosure, door: stainless steel; mounting plate: sheet steel
<b>Surface:</b>	enclosure and door: brushed, grain 180; mounting plate: galvanized
<b>Sealing:</b>	all-round foamed-in PU seal
<b>Lock:</b>	3 mm double-bit
<b>Hinge:</b>	mounted with 180° opening
<b>Supply includes:</b>	enclosure, mounting plate, double leaf door with lock, grounding set, key, packing
<b>Options:</b>	special dimensions, AISI 316L
<b>Accessories:</b>	detailed information look System Accessories
<b>Drawing:</b>	page N°100

Height L, mm	Width B, mm	Depth C, mm	Order No.
300	200	180	LS66-321
300	300	180	LS66-331
300	300	250	LS66-332
300	400	250	LS66-342
400	300	180	LS66-431
400	300	250	LS66-432
400	400	180	LS66-441
400	400	250	LS66-442
400	400	320	LS66-443
400	500	250	LS66-452
400	600	250	LS66-462
500	400	180	LS66-541
500	400	250	LS66-542
600	400	180	LS66-641
600	400	250	LS66-642
600	500	250	LS66-652
600	600	180	LS66-661
600	600	250	LS66-662
600	600	320	LS66-663
600	800	320	LS66-683
800	600	250	LS66-862
800	600	320	LS66-863
800	800	250	LS66-882
800	800	320	LS66-883
1000	600	320	LS66-1063
1000	800	250	LS66-1082
1000	800	320	LS66-1083
1200	600	320	LS66-1263
1200	800	320	LS66-1283
1200	600	400	LS66-1264
1200	800	400	LS66-1284
1400	600	320	LS66-1463
1400	800	320	LS66-1483

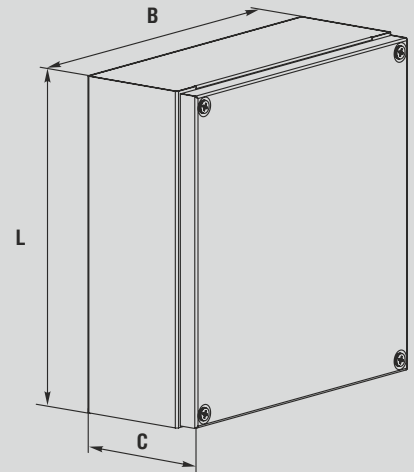
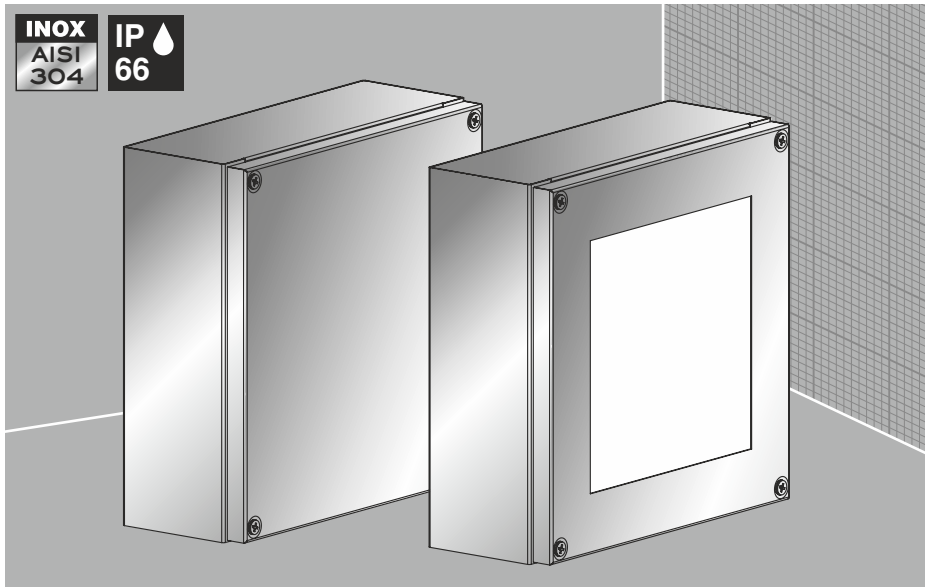




# Wall mounted enclosures from stainless steel SS66, SSV55

**INOX**  
AISI 304

**IP**  
66



## Technical characteristics

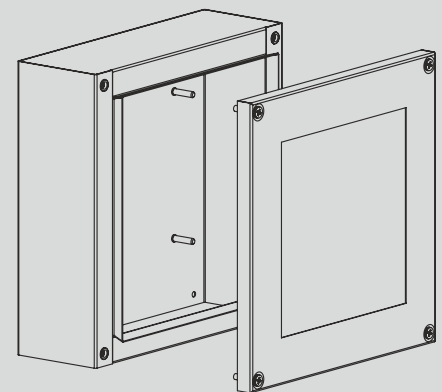
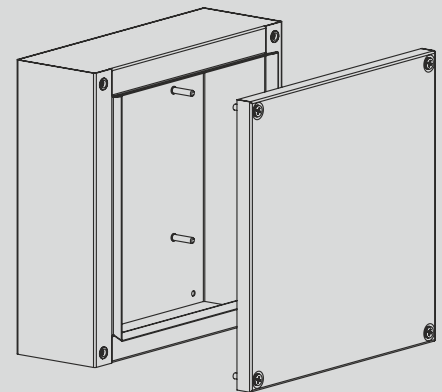
- Protection degree:** IP66, IK10
- Un, B:** 1000
- In, A:** 100
- Load, kg:** —
- Type of construction:** welded enclosure
- Material:** enclosure and cover: stainless steel
- Surface:** enclosure and cover: brushed, grain 180
- Sealing:** cover: all-round foamed-in PU seal
- Lock:** —
- Hinge:** —
- Supply includes:** enclosure, cover, packing
- Options:** special dimensions, AISI 316L
- Accessories:** detailed information look **System Accessories**
- Drawing:** page №106, 107

## SS66

Height L, mm	Width B, mm	Depth C, mm	Order No.
150	150	120	<b>SS66-111</b>
150	200	120	<b>SS66-121</b>
150	300	120	<b>SS66-131</b>
200	200	120	<b>SS66-221</b>
200	300	120	<b>SS66-231</b>
200	400	120	<b>SS66-241</b>
300	300	120	<b>SS66-331</b>
300	400	120	<b>SS66-341</b>
300	600	120	<b>SS66-361</b>
400	400	120	<b>SS66-441</b>
400	600	120	<b>SS66-461</b>
400	800	120	<b>SS66-481</b>

## SSV55

Height L, mm	Width B, mm	Depth C, mm	Order No.
200	200	120	<b>SSV55-221</b>
200	300	120	<b>SSV55-231</b>
200	400	120	<b>SSV55-241</b>
300	300	120	<b>SSV55-331</b>
300	400	120	<b>SSV55-341</b>
300	600	120	<b>SSV55-361</b>
400	400	120	<b>SSV55-441</b>
400	600	120	<b>SSV55-461</b>
400	800	120	<b>SSV55-481</b>





## 19" Server enclosures with viewing door from stainless steel XLS-IT

**INOX**  
AISI  
304

**IP** **20**

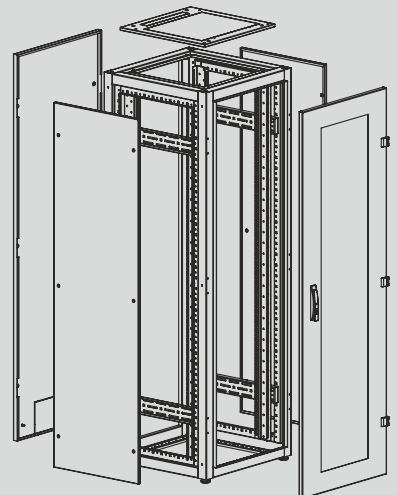
**IP** **55**



### Technical characteristics

<b>Protection degree:</b>	IP20, IP55, IK08
<b>Load, kg:</b>	600
<b>Type of construction:</b>	welded framework of steel frames
<b>Material:</b>	framework, door, walls: stainless steel AISI 304; 19" profiles: sheet steel
<b>Surface:</b>	framework, door and walls: brushed, grain 180; 19" profiles: galvanized
<b>Lock:</b>	3-point double-bit lock with twist handle
<b>Hinge:</b>	mounted with 120° opening
<b>Supply includes:</b>	framework with roof panel, viewing door, back wall, side walls, set for 19" installation, screw support, keys, packing
<b>Options:</b>	AISI 316L
<b>Accessories:</b>	detailed information look System Accessories
<b>Drawing:</b>	page №114

Montage-Height, HE	Height L, mm	Width B, mm	Depth C, mm	Order No.
42	2000	600	600	<b>XLS-IT42U66</b>
42	2000	600	800	<b>XLS-IT42U68</b>
42	2000	600	1000	<b>XLS-IT42U610</b>

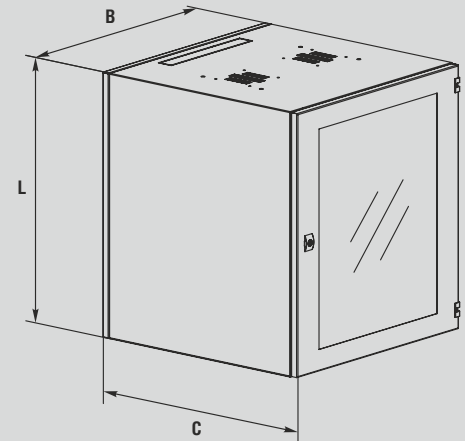




# 19" Wall mounted enclosures from Stainless steel XS-IP

**INOX**  
AISI 304

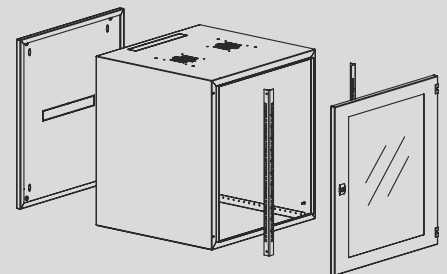
**IP 20**



## Technical characteristics

- Protection degree:** IP20, IK08
- Load, kg:** 45
- Type of construction:** welded enclosure
- Material:** enclosure, door, walls: stainless steel AISI 304;  
19" profiles: sheet steel
- Surface:** enclosure and door: brushed, grain 180;  
19" profiles: galvanized
- Lock:** 3 mm double-bit
- Hinge:** mounted with 180° opening
- Supply includes:** enclosure, viewing door with lock, 19" profiles (2 pcs.), key, packing
- Options:** AISI 316L
- Accessories:** detailed information look **System Accessories**
- Drawing:** page №120

Montage-Height, HE	Height L, mm	Width B, mm	Depth C, mm	Order No.
4	250	600	400	<b>XS-IP4U64</b>
6	350	600	400	<b>XS-IP6U64</b>
6	350	600	600	<b>XS-IP6U66</b>
9	500	600	400	<b>XS-IP9U64</b>
9	500	600	600	<b>XS-IP9U66</b>
12	650	600	400	<b>XS-IP12U64</b>
12	650	600	600	<b>XS-IP12U66</b>
15	800	600	400	<b>XS-IP15U64</b>
15	800	600	600	<b>XS-IP15U66</b>
18	950	600	400	<b>XS-IP18U64</b>
18	950	600	600	<b>XS-IP18U66</b>

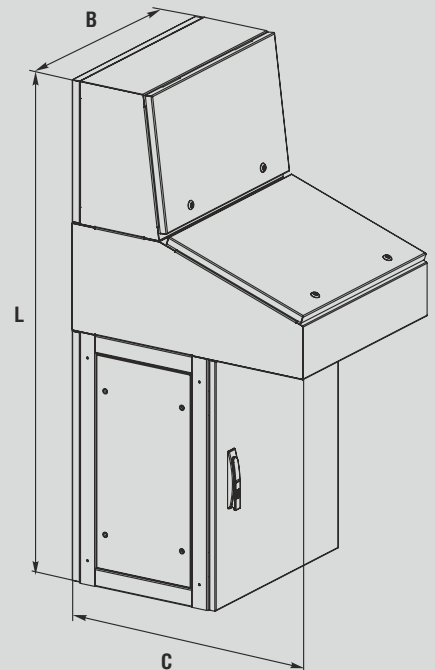
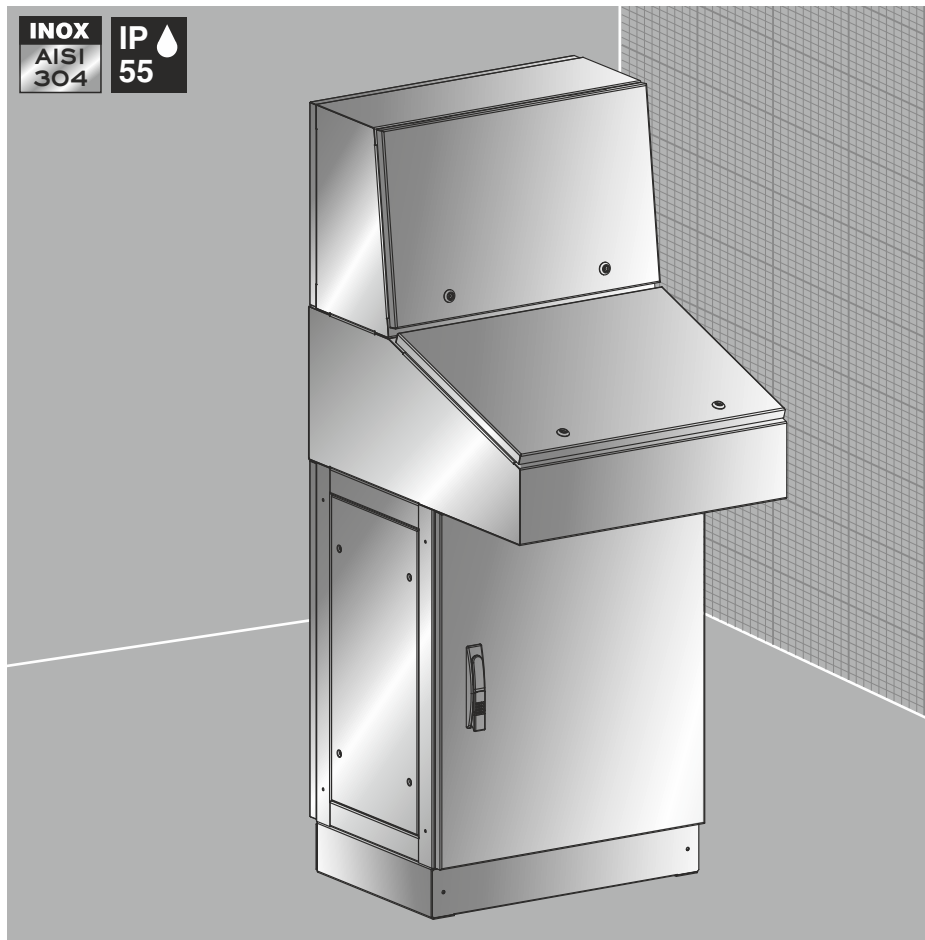




## Console system from stainless steel XLSPUit

**INOX**  
AISI  
304

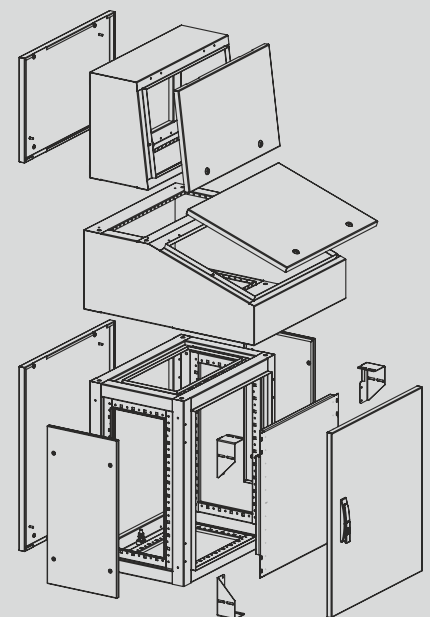
**IP**  
55



### Technical characteristics

<b>Protection degree:</b>	IP55, IK10
<b>Type of construction:</b>	sectional
<b>Material:</b>	stainless steel AISI 304
<b>Surface:</b>	brushed, grain 180
<b>Sealing:</b>	all-round foamed-in PU seal
<b>Supply includes:</b>	
<b>Top part XLPU-UP:</b>	enclosure, cover with locks on hinges with a side or top hinge plate (incl. a cover clamp), back wall, cut-out for cable entry, key, packing
<b>Middle part XLPU-M:</b>	enclosure, table-top on hinges behind and locks, 2 clamps with automatic fixing, a cover of the top cut-out. Cut-out for cable entry, key, packing
<b>Lower part XLPU-DN:</b>	enclosure from above is open, door is single or double with lock, mounting plate. Open basis for cable entry, back wall, side walls, grounding wires, key, packing.
<b>Options:</b>	AISI 316L
<b>Accessories:</b>	detailed information look <b>System Accessories</b>
<b>Drawing:</b>	page №110, 111, 112

Height L, mm	Width B, mm	Depth, mm	Order No.
<b>Top part XLPU-UP</b>			
400	600	250	<b>XLSPU-UP462</b>
400	800	250	<b>XLSPU-UP482</b>
400	1000	250	<b>XLSPU-UP4102</b>
400	1200	250	<b>XLSPU-UP4122</b>
400	1400	250	<b>XLSPU-UP4142</b>
400	1600	250	<b>XLSPU-UP4162</b>
<b>Middle part XLPU-M</b>			
300	600	700	<b>XLSPU-M367</b>
300	800	700	<b>XLSPU-M387</b>
300	1000	700	<b>XLSPU-M3107</b>
300	1200	700	<b>XLSPU-M3127</b>
300	1400	700	<b>XLSPU-M3147</b>
300	1600	700	<b>XLSPU-M3167</b>
<b>Lower part XLPU-DN</b>			
700	600	400	<b>XLSPU-DN764</b>
700	600	600	<b>XLSPU-DN766</b>
700	800	400	<b>XLSPU-DN784</b>
700	800	600	<b>XLSPU-DN786</b>
700	1000	400	<b>XLSPU-DN7104</b>
700	1000	600	<b>XLSPU-DN7106</b>
700	1200	400	<b>XLSPU-DN7124</b>
700	1200	600	<b>XLSPU-DN7126</b>
700	1400	400	<b>XLSPU-DN7144</b>
700	1400	600	<b>XLSPU-DN7146</b>
700	1600	400	<b>XLSPU-DN7164</b>
700	1600	600	<b>XLSPU-DN7166</b>



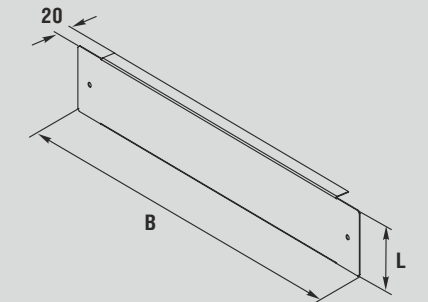
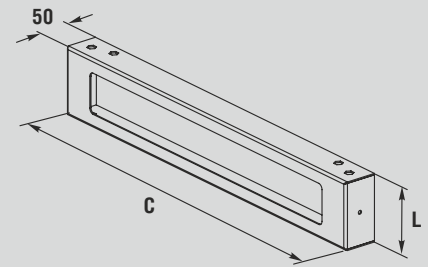
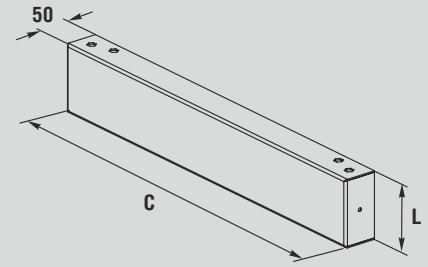
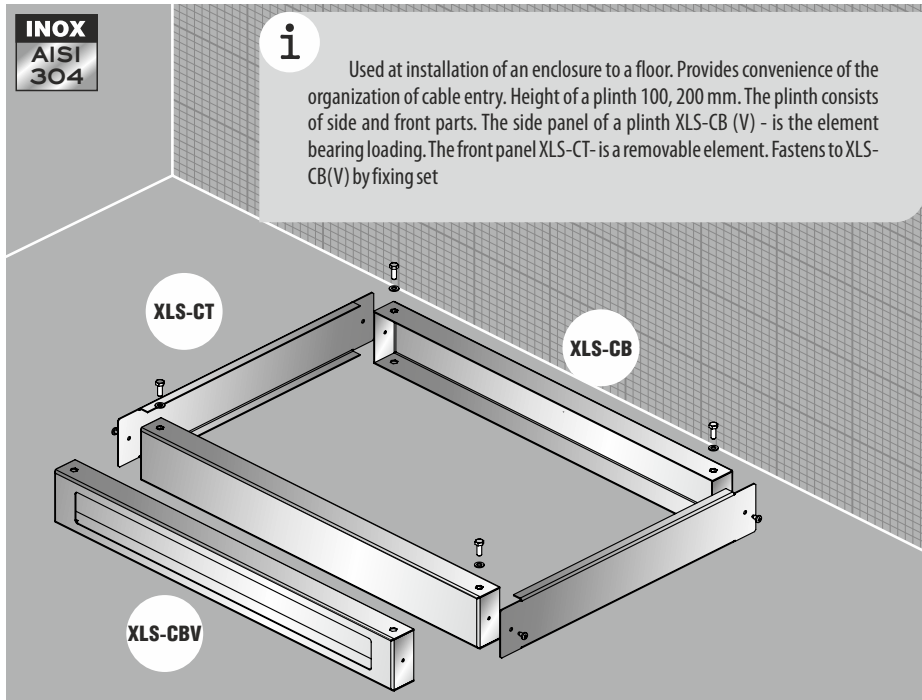


## Base system XLS-CB, XLS-CBV, XLS-CT

**INOX**  
AISI  
304



Used at installation of an enclosure to a floor. Provides convenience of the organization of cable entry. Height of a plinth 100, 200 mm. The plinth consists of side and front parts. The side panel of a plinth XLS-CB (V) - is the element bearing loading. The front panel XLS-CT - is a removable element. Fastens to XLS-CB(V) by fixing set



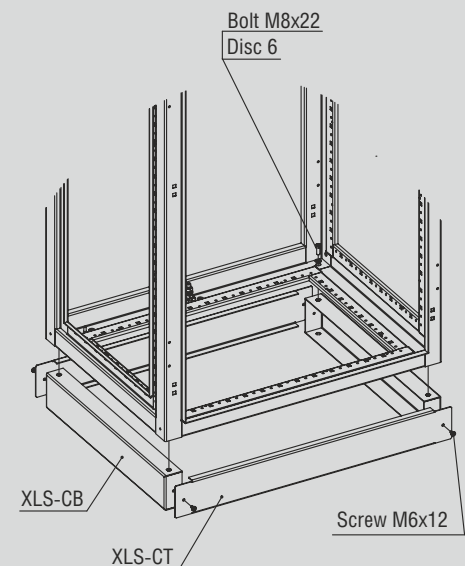
Order No.	Depth (enclosure), mm	Dimensions (panel)		Weight, kg	Packaging unit, piece
		C, mm	L, mm		
XLS-CB14	400	396	100	2,68	2
XLS-CB16	600	596	100	3,90	2
XLS-CB18	800	796	100	5,08	2
XLS-CB24	400	396	200	4,22	2
XLS-CB26	600	596	200	6,06	2
XLS-CB28	800	796	200	7,88	2

XLS-CBV14	400	396	100	2,10	2
XLS-CBV16	600	596	100	2,94	2
XLS-CBV18	800	796	100	3,78	2
XLS-CBV24	400	396	200	3,08	2
XLS-CBV26	600	596	200	4,18	2
XLS-CBV28	800	796	200	5,26	2

Order No.	Width (enclosure), mm	Dimensions (panel)		Weight, kg	Packaging unit, piece
		B, mm	L, mm		
XLS-CT14	400	400	100	0,78	2
XLS-CT16	600	600	100	1,20	2
XLS-CT18	800	800	100	1,60	2
XLS-CT110	1000	1000	100	2,02	2
XLS-CT112	1200	1200	100	2,44	2
XLS-CT24	400	400	200	2,08	2
XLS-CT26	600	600	200	3,18	2
XLS-CT28	800	800	200	4,28	2
XLS-CT210	1000	1000	200	5,36	2
XLS-CT212	1000	1000	200	6,44	2

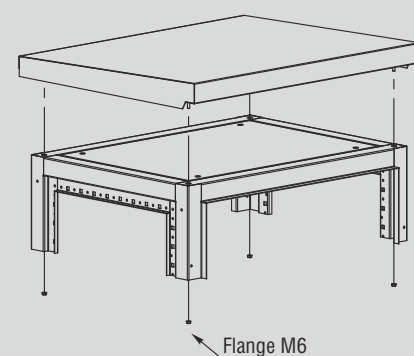
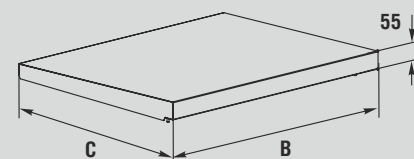
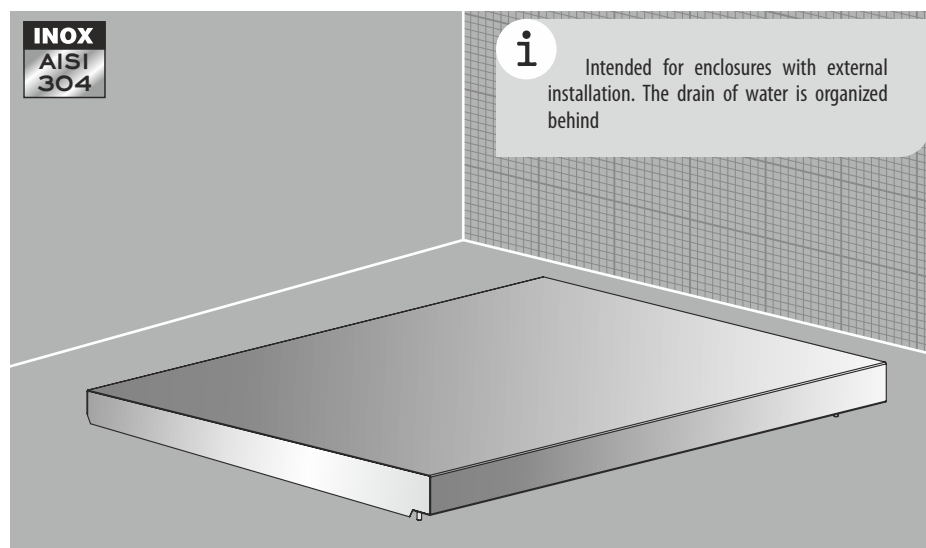
### Technical characteristics

- Material:** Stainless steel (AISI304)  
**Surface:** brushed, grain 180  
**Supply includes:** 2 base panel + installation kit, packaging





## Rain roof made of stainless steel XLS-DK, LS-DK



Order No.	Dimensions (enclosure)		Dimensions (rain roof)		Weight, kg	Packaging unit, piece
	Width, mm	Depth, mm	B, mm	C, mm		
XLS-DK64	600	400	620	470	3,61	1
XLS-DK66	600	600	620	670	4,81	1
XLS-DK84	800	400	820	470	4,96	1
XLS-DK86	800	600	820	670	6,61	1
XLS-DK104	1000	400	1020	470	6,73	1
XLS-DK106	1000	600	1020	670	8,42	1
XLS-DK124	1200	400	1220	470	8,55	1
XLS-DK126	1200	600	1220	670	10,69	1

Order No.	Dimensions (enclosure)		Dimensions (rain roof)		Weight, kg	Packaging unit, piece
	Width, mm	Depth, mm	B, mm	C, mm		
LS-DK62	600	250	610	275	1,92	1
LS-DK63	600	320	610	345	2,38	1
LS-DK64	600	400	610	425	3,06	1
LS-DK82	800	250	810	275	2,44	1
LS-DK83	800	320	810	345	3,02	1
LS-DK84	800	400	810	425	3,85	1

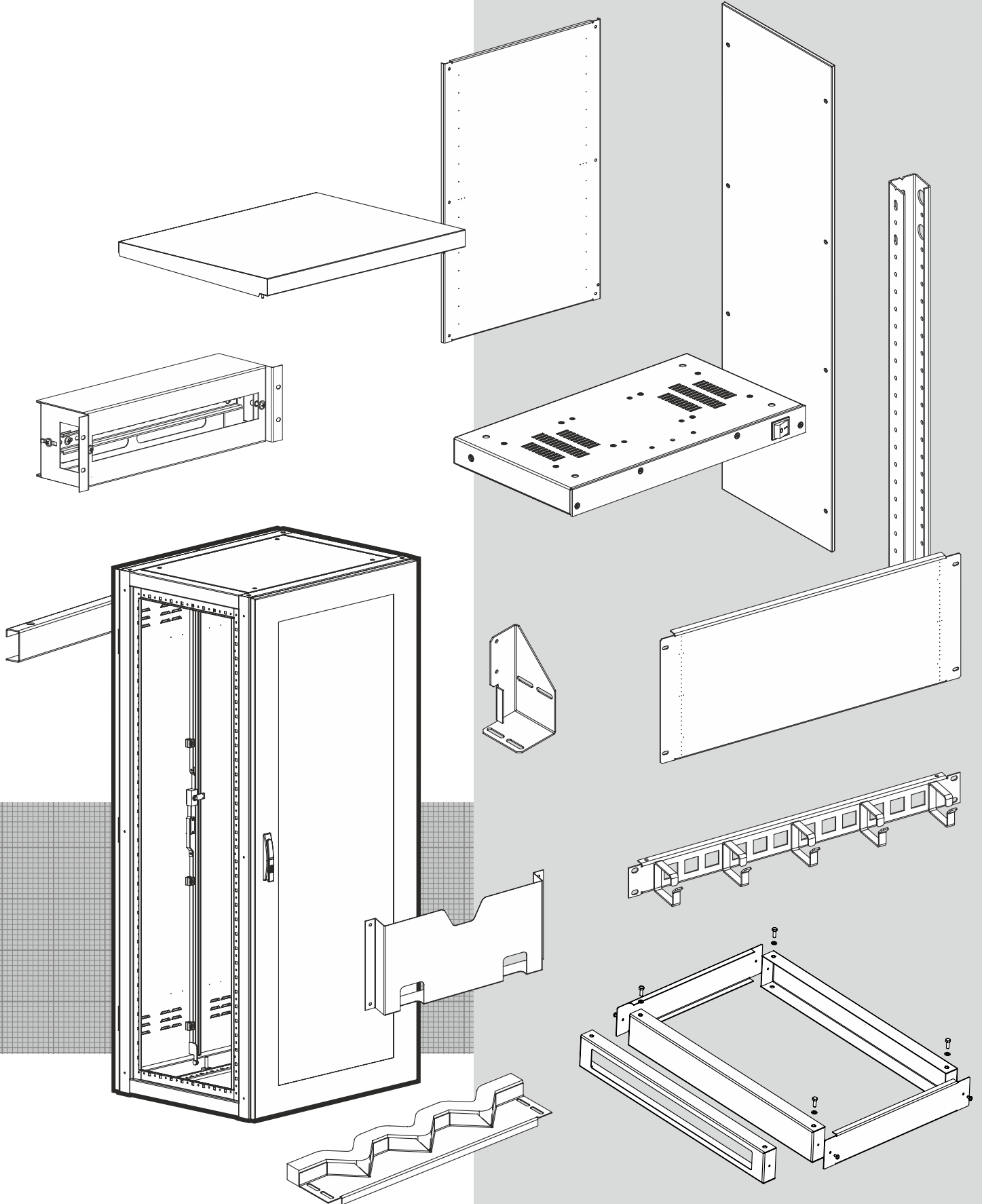
### Technical characteristics

<b>Material:</b>	Stainless steel (AISI304)
<b>Surface:</b>	brushed, grain 180
<b>Supply includes:</b>	Roof + installation set, packaging



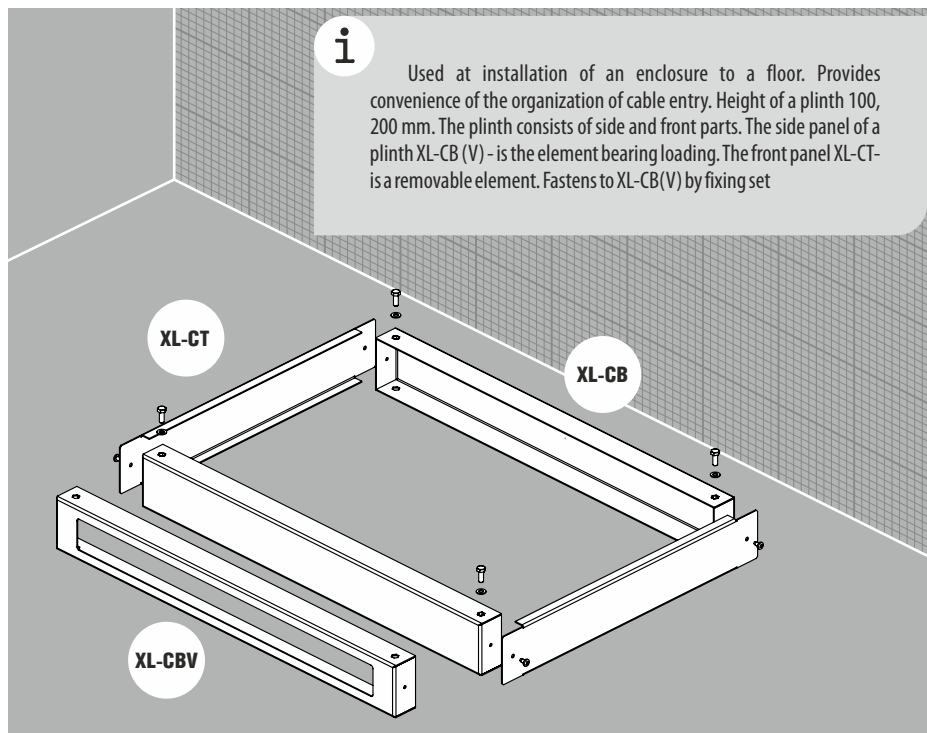


# SYSTEM ACCESSORIES



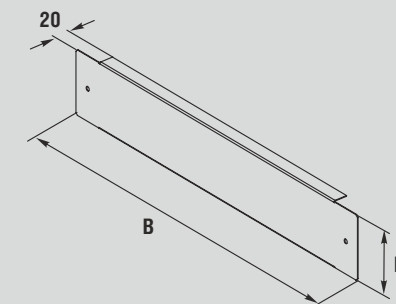
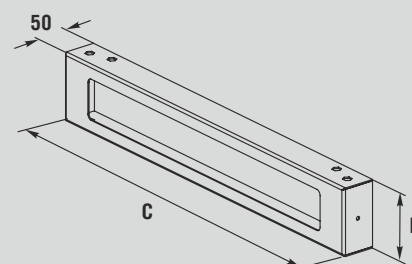
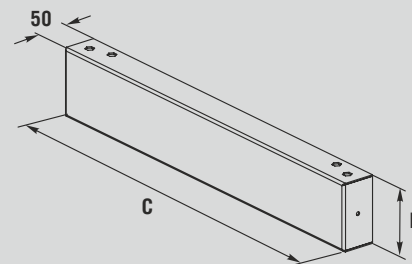


## Plinth XL-CB, XL-CBV, XL-CT



**i**

Used at installation of an enclosure to a floor. Provides convenience of the organization of cable entry. Height of a plinth 100, 200 mm. The plinth consists of side and front parts. The side panel of a plinth XL-CB (V) - is the element bearing loading. The front panel XL-CT - is a removable element. Fastens to XL-CB(V) by fixing set

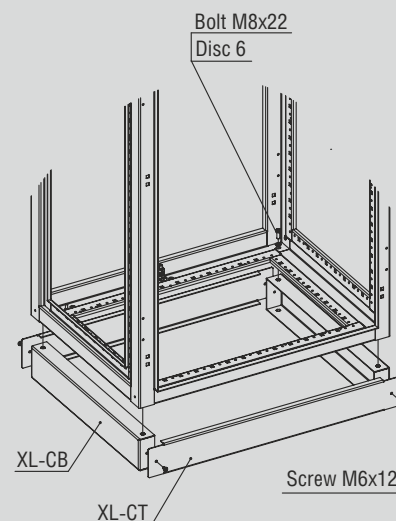


Order No.	Depth (enclosure), mm	Dimensions (panel)		Weight, kg	Packaging unit, piece
		C, mm	L, mm		
XL-CB14	400	396	100	2,68	2
XL-CB16	600	596	100	3,90	2
XL-CB18	800	796	100	5,08	2
XL-CB110	1000	996	100	6,28	2
XL-CB112	1200	1196	100	7,50	2
XL-CB24	400	396	200	4,22	2
XL-CB26	600	596	200	6,06	2
XL-CB28	800	796	200	7,88	2
XL-CB210	1000	996	200	9,72	2
XL-CB212	1200	1196	200	11,56	2
XL-CBV14	400	396	100	2,10	2
XL-CBV16	600	596	100	2,94	2
XL-CBV18	800	796	100	3,78	2
XL-CBV110	1000	996	100	4,60	2
XL-CBV112	1200	1196	100	5,44	2
XL-CBV24	400	396	200	3,08	2
XL-CBV26	600	596	200	4,18	2
XL-CBV28	800	796	200	5,26	2
XL-CBV210	1000	996	200	6,36	2
XL-CBV212	1200	1196	200	7,44	2

Order No.	Depth (enclosure), mm	Dimensions (panel)		Weight, kg	Packaging unit, piece
		B, mm	L, mm		
XL-CT14	400	400	100	0,78	2
XL-CT16	600	600	100	1,20	2
XL-CT18	800	800	100	1,60	2
XL-CT110	1000	1000	100	2,02	2
XL-CT112	1200	1200	100	2,44	2
XL-CT24	400	400	200	2,08	2
XL-CT26	600	600	200	3,18	2
XL-CT28	800	800	200	4,28	2
XL-CT210	1000	1000	200	5,36	2
XL-CT212	1000	1000	200	6,44	2

### Technical characteristics

- Material:** sheet steel
- Surface:** powder-coated RAL 7035
- Supply includes:** socket panel + mounting set, package

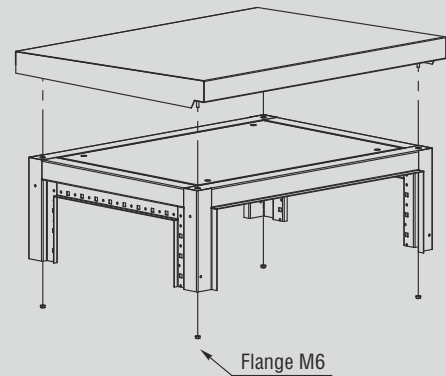
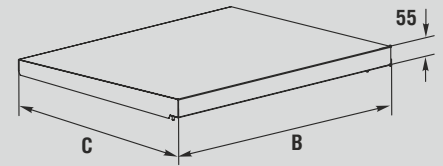
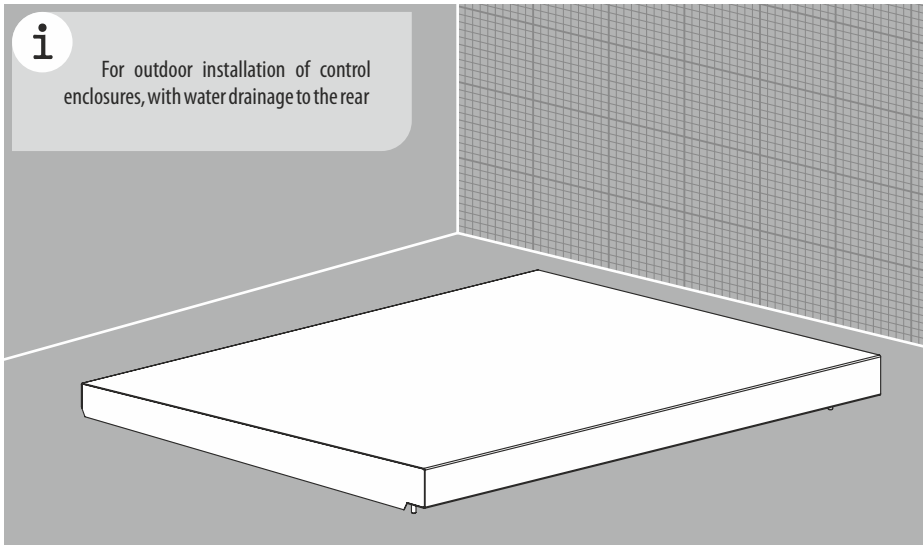




## Rain roof XL-DK, L-DK

**i**

For outdoor installation of control enclosures, with water drainage to the rear

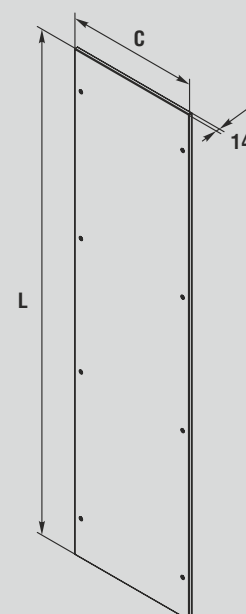
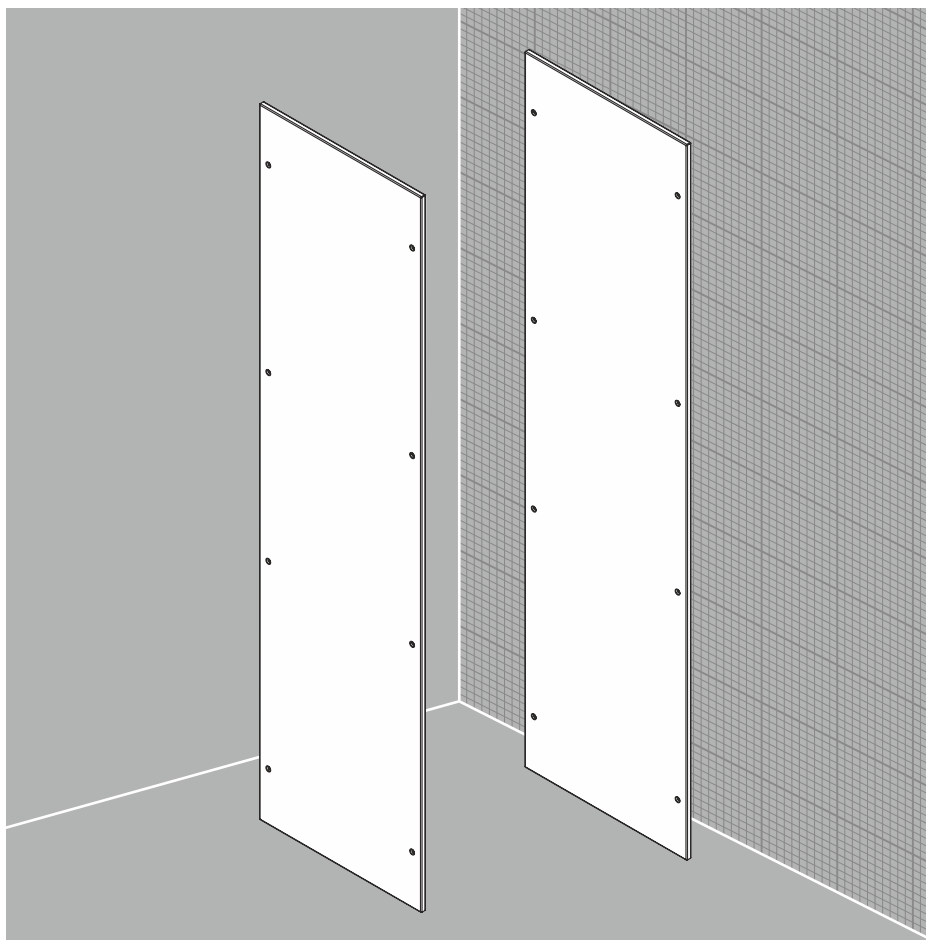


Order No.	Depth (enclosure), mm		Dimensions (rain roof)		Weight, kg	Packaging unit, piece
	Width, mm	Depth, mm	B, mm	C, mm		
<b>XL-DK64</b>	600	400	620	470	3,80	1
<b>XL-DK66</b>	600	600	620	670	5,06	1
<b>XL-DK84</b>	800	400	820	470	5,22	1
<b>XL-DK86</b>	800	600	820	670	6,96	1
<b>XL-DK104</b>	1000	400	1020	470	7,09	1
<b>XL-DK106</b>	1000	600	1020	670	8,86	1
<b>XL-DK124</b>	1200	400	1220	470	9,00	1
<b>XL-DK126</b>	1200	600	1220	670	11,25	1
<b>L-DK62</b>	600	250	610	275	1,92	1
<b>L-DK63</b>	600	320	610	345	2,38	1
<b>L-DK64</b>	600	400	610	425	3,06	1
<b>L-DK82</b>	800	250	810	275	2,44	1
<b>L-DK83</b>	800	320	810	345	3,02	1
<b>L-DK84</b>	800	400	810	425	3,85	1
<b>CC-DK66</b>	600	600	610	625	4,41	1

### Technical characteristics

<b>Material:</b>	sheet steel
<b>Surface:</b>	powder-coated RAL 7035
<b>Supply includes:</b>	roof + mounting set, package

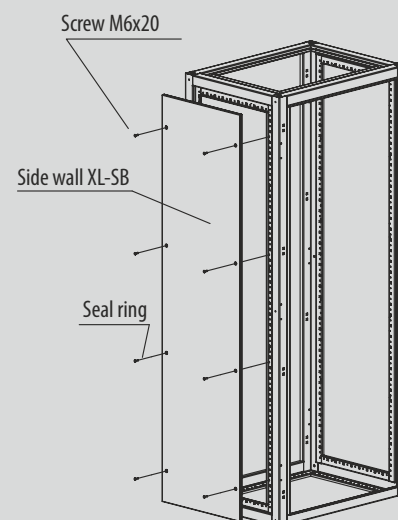
## Side walls XL55-SB



Order No.	Dimensions (enclosure)		Dimensions (wall)		Weight, kg	Packaging unit, piece
	Height, mm	Depth, mm	L, mm	C, mm		
<b>XL55-SB144</b>	1400	400	1296	296	7,48	2
<b>XL55-SB146</b>	1400	600	1296	496	11,91	2
<b>XL55-SB164</b>	1600	400	1496	296	8,59	2
<b>XL55-SB166</b>	1600	600	1496	496	13,69	2
<b>XL55-SB184</b>	1800	400	1696	296	9,72	2
<b>XL55-SB186</b>	1800	600	1696	496	15,46	2
<b>XL55-SB188</b>	1800	800	1696	696	21,21	2
<b>XL55-SB204</b>	2000	400	1896	296	10,82	2
<b>XL55-SB206</b>	2000	600	1896	496	17,24	2
<b>XL55-SB208</b>	2000	800	1896	696	23,67	2
<b>XL55-SB224</b>	2200	400	2096	296	11,97	2
<b>XL55-SB226</b>	2200	600	2096	496	19,01	2
<b>XL55-SB228</b>	2200	800	2096	696	26,10	2

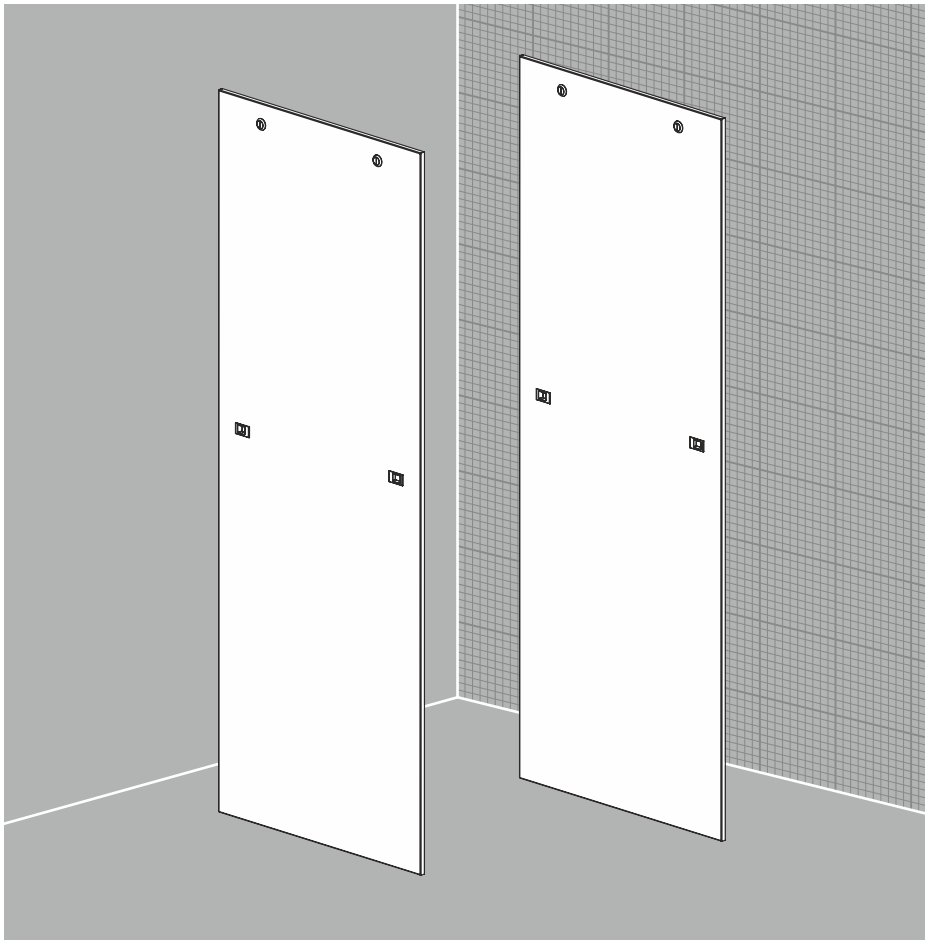
### Technical characteristics

<b>Protection degree:</b>	IP55
<b>Material:</b>	sheet steel
<b>Surface:</b>	powder-coated RAL 7035
<b>Sealing:</b>	all-round foamed-in PU seal
<b>Supply includes:</b>	side walls, grounding set, mounting set, package





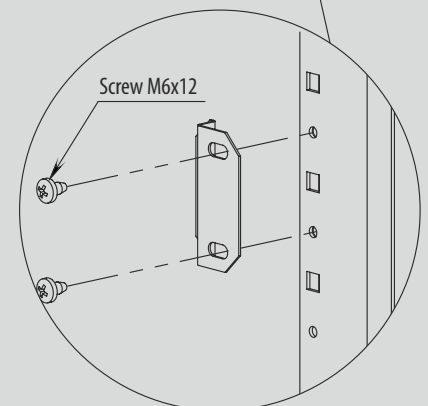
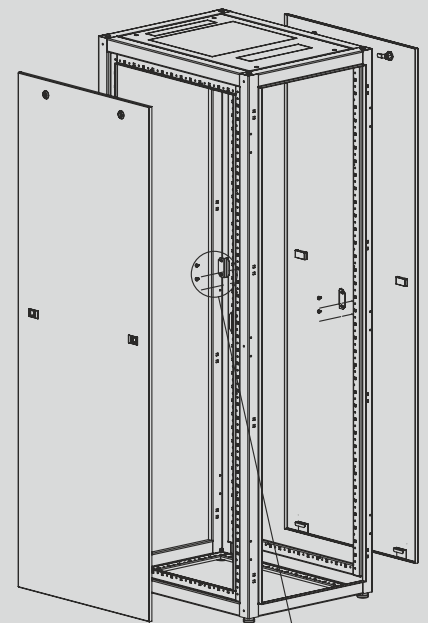
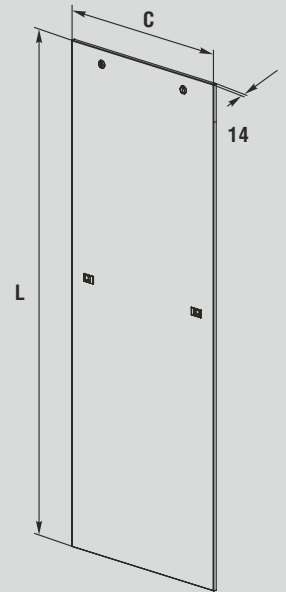
## Side walls XLIT-SB



Order No.	Dimensions (enclosure)			Dimensions (wall)		Weight, kg	Packaging unit, piece
	Montage-Height, HE	Height, mm	Depth, mm	L, mm	C, mm		
XLIT-SB42U6	42	2000	600	1896	496	10,84	2
XLIT-SB42U8	42	2000	800	1896	696	17,24	2
XLIT-SB42U10	42	2000	1000	1896	896	23,64	2
XLIT-SB42U12	42	2000	1200	1896	1096	30,04	2
XLIT-SB46U6	46	2200	600	2096	496	19,03	2
XLIT-SB46U8	46	2200	800	2096	696	25,87	2
XLIT-SB46U10	46	2200	1000	2096	896	32,72	2
XLIT-SB46U12	46	2200	1200	2096	1096	39,56	2

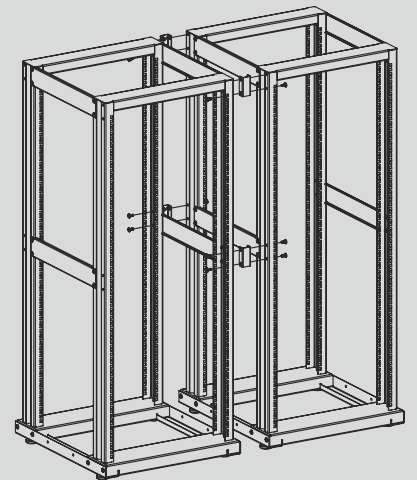
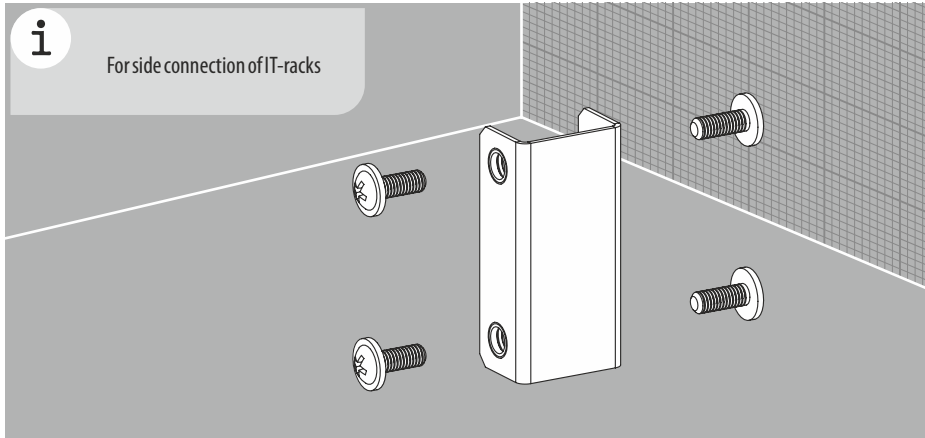
### Technical characteristics

- Protection degree:** IP55
- Material:** sheet steel
- Surface:** powder-coated RAL 7035
- Sealing:** all-round foamed-in PU seal
- Supply includes:** side walls, grounding set, mounting set, package





## Connection set SK-IC

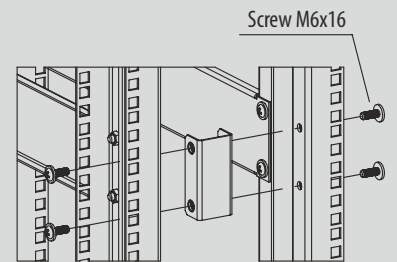
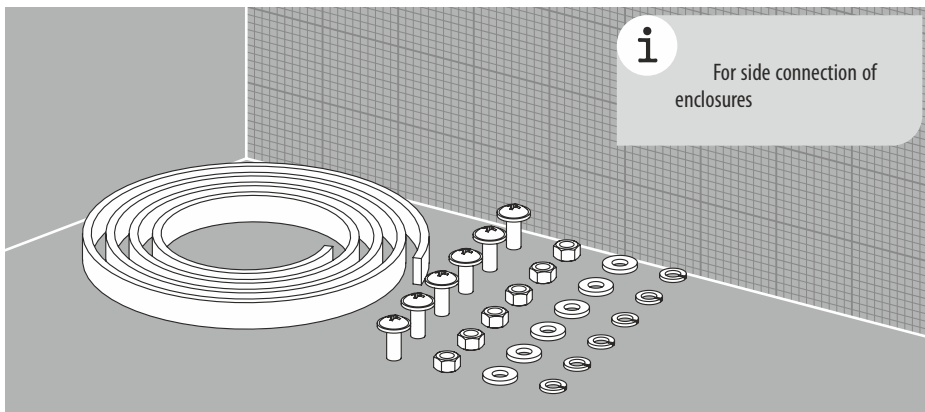


### Technical characteristics

**Material:** sheet steel  
**Surface:** powder-coated RAL 7035  
**Supply includes:** connection and mounting set, package

Order No.	Packaging unit, piece	Weight, kg
<b>SK-IC</b>	4	0,35

## Connection set SK-XL55

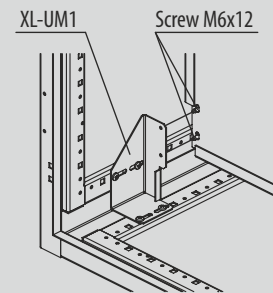
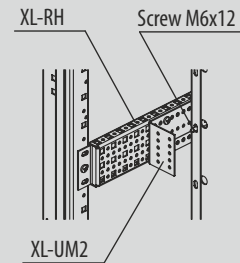
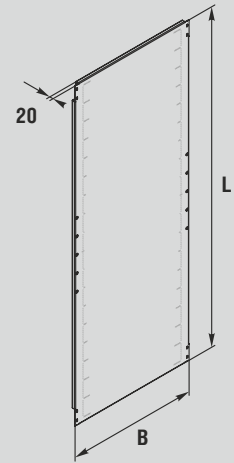
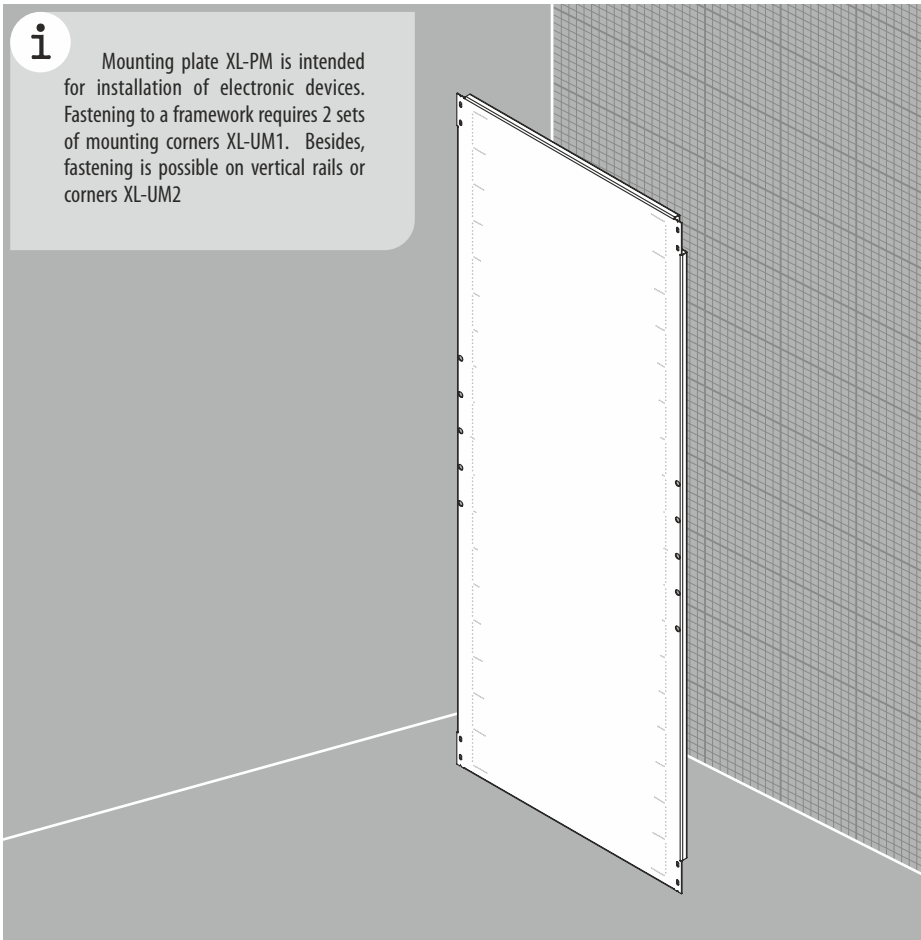


Order No.	Packaging unit, piece	Weight, kg
<b>SK-XL55</b>	1	0,18



# Mounting plate XL-PM

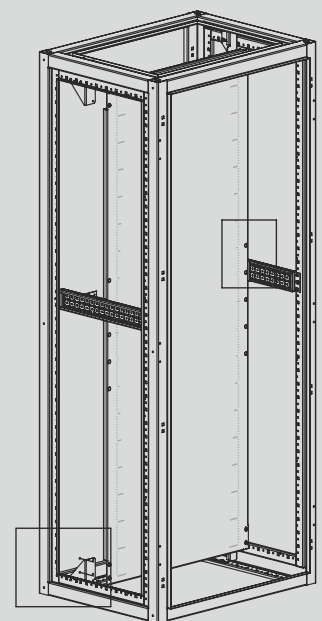
**i** Mounting plate XL-PM is intended for installation of electronic devices. Fastening to a framework requires 2 sets of mounting corners XL-UM1. Besides, fastening is possible on vertical rails or corners XL-UM2



Order No.	Dimensions (enclosure)		Dimensions (plate)		Weight, kg	Packaging unit, piece
	Height, mm	Width, mm	L, mm	B, mm		
XL-PM146	1400	600	1250	514	11,63	1
XL-PM148	1400	800	1250	714	15,75	1
XL-PM166	1600	600	1450	514	13,46	1
XL-PM168	1600	800	1450	714	18,20	1
XL-PM186	1800	600	1650	514	15,28	1
XL-PM188	1800	800	1650	714	20,84	1
XL-PM1810	1800	1000	1650	914	26,26	1
XL-PM1812	1800	1200	1650	1114	31,67	1
XL-PM204	2000	400	1850	314	11,12	1
XL-PM206	2000	600	1850	514	17,11	1
XL-PM208	2000	800	1850	714	23,31	1
XL-PM2010	2000	1000	1850	914	29,10	1
XL-PM2012	2000	1200	1850	1114	35,40	1
XL-PM226	2200	600	2050	514	18,93	1
XL-PM228	2200	800	2050	714	25,55	1
XL-PM2210	2200	1000	2050	914	32,16	1
XL-PM2212	2200	1200	2050	1114	38,28	1

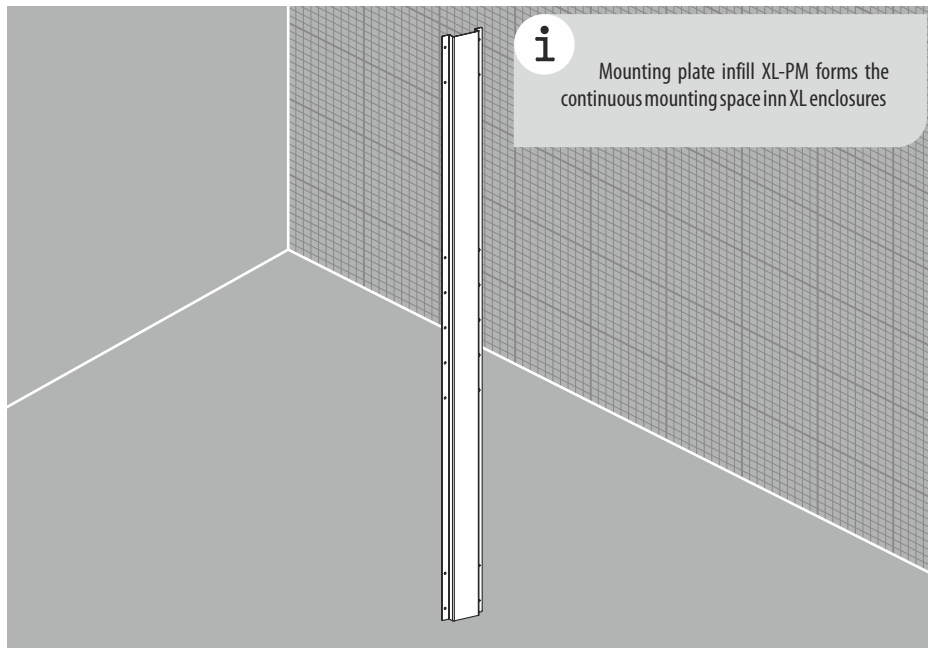
## Technical characteristics

- Material:** sheet steel
- Surface:** zinc-plated
- Supply includes:** mounting plate + mounting set , package





## Mounting plate infill XL-PM

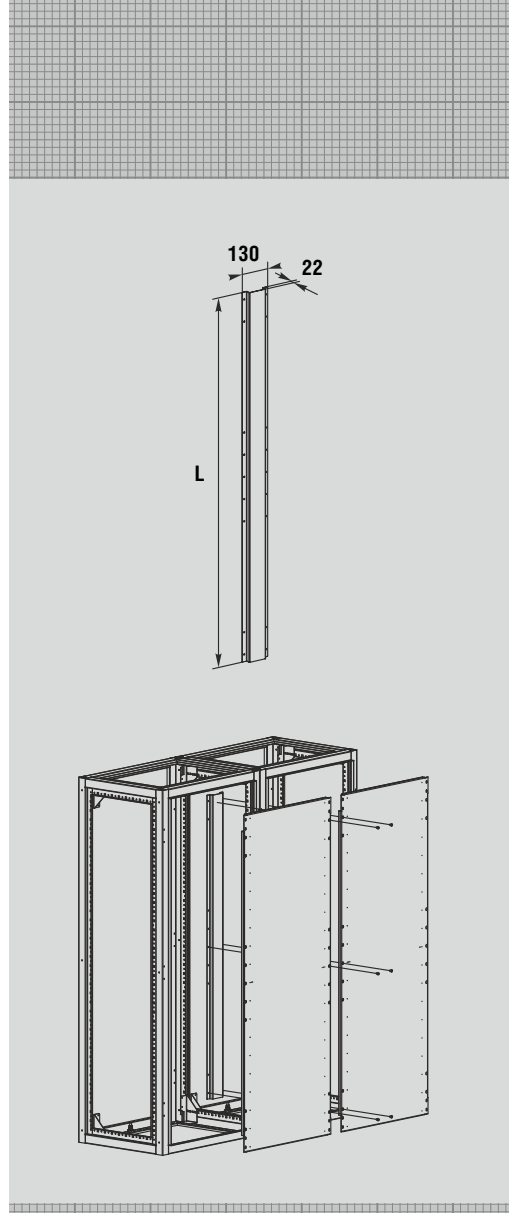


Mounting plate infill XL-PM forms the continuous mounting space inn XL enclosures

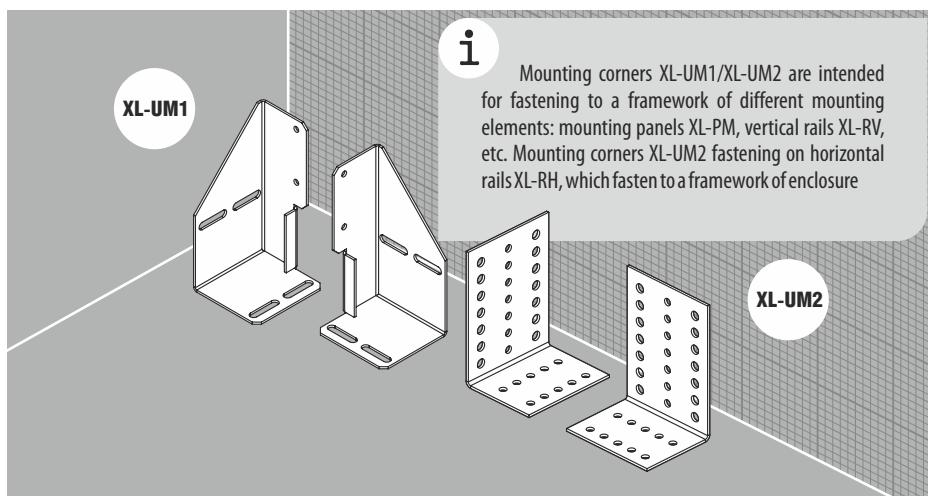
### Technical characteristics

**Material:** sheet steel  
**Surface:** zinc-plated  
**Supply includes:** mounting plate + mounting set, package

Order No.	Height (enclosure), mm	L, mm	Weight, kg
<b>XL-PM14</b>	1400	1066	2,77
<b>XL-PM16</b>	1600	1266	3,30
<b>XL-PM18</b>	1800	1466	3,82
<b>XL-PM20</b>	2000	1666	4,34
<b>XL-PM22</b>	2200	1866	4,86



## Mounting corner XL-UM1, XL-UM2



Mounting corners XL-UM1/XL-UM2 are intended for fastening to a framework of different mounting elements: mounting panels XL-PM, vertical rails XL-RV, etc. Mounting corners XL-UM2 fastening on horizontal rails XL-RH, which fasten to a framework of enclosure

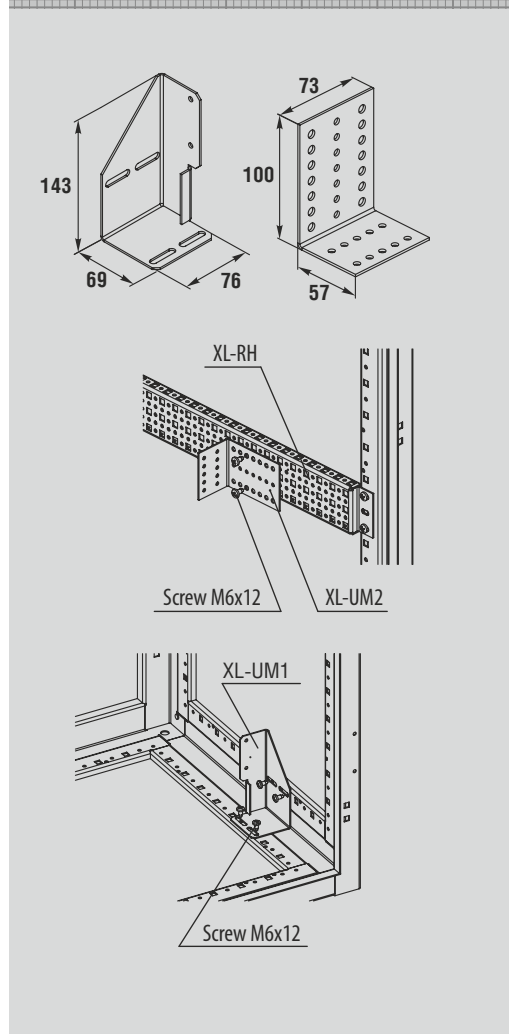
**XL-UM1**

**XL-UM2**

### Technical characteristics

**Material:** sheet steel  
**Surface:** zinc-plated  
**Supply includes:** mounting corner, 2 pcs. + mounting set, package

Order No.	Weight, kg	Packaging unit, piece
<b>XL-UM1</b>	0,60	2
<b>XL-UM2</b>	0,32	2



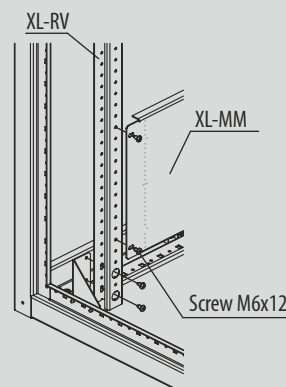
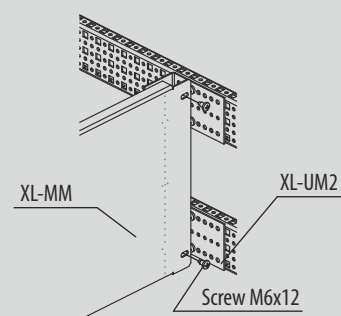
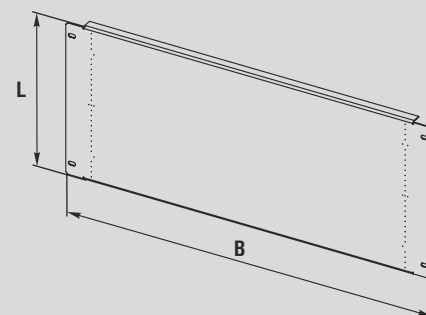
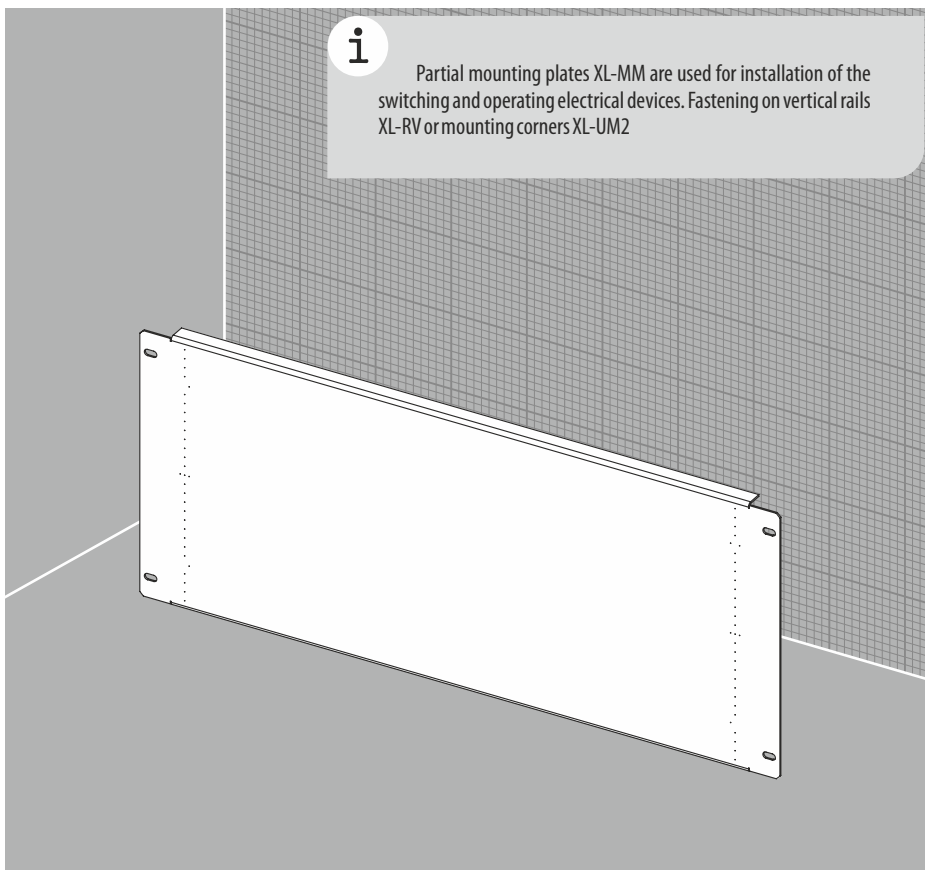




## Partial mounting plate XL-MM

**i**

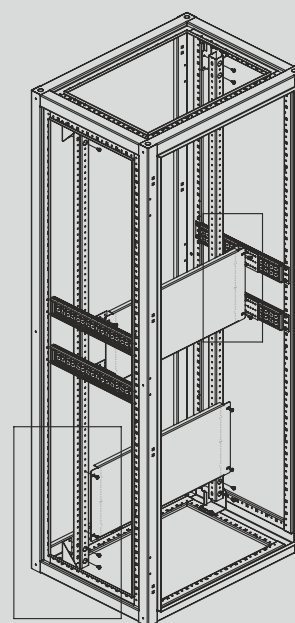
Partial mounting plates XL-MM are used for installation of the switching and operating electrical devices. Fastening on vertical rails XL-RV or mounting corners XL-UM2



Order No.	Width (enclosure), mm	Dimensions (partial mounting plate)		Weight, kg	Packaging unit, piece
		Height L, mm	Width B, mm		
XL-MM14	400	100	314	0,46	1
XL-MM16	600	100	514	0,77	1
XL-MM18	800	100	714	1,08	1
XL-MM110	1000	100	914	1,40	1
XL-MM112	1200	100	1114	1,73	1
XL-MM24	400	200	314	0,82	1
XL-MM26	600	200	514	1,38	1
XL-MM28	800	200	714	1,92	1
XL-MM210	1000	200	914	2,47	1
XL-MM212	1200	200	1114	3,04	1
XL-MM34	400	300	314	1,19	1
XL-MM36	600	300	514	1,97	1
XL-MM38	800	300	714	2,75	1
XL-MM310	1000	300	914	3,54	1
XL-MM312	1200	300	1114	4,36	1
XL-MM44	400	400	314	1,57	1
XL-MM46	600	400	514	2,60	1
XL-MM48	800	400	714	3,59	1
XL-MM410	1000	400	914	4,61	1
XL-MM412	1200	400	1114	5,67	1
XL-MM54	400	500	314	1,93	1
XL-MM56	600	500	514	3,18	1
XL-MM58	800	500	714	4,43	1
XL-MM510	1000	500	914	5,68	1
XL-MM512	1200	500	1114	6,93	1

### Technical characteristics

<b>Material:</b>	sheet steel
<b>Surface:</b>	zinc-plated
<b>Supply includes:</b>	mounting panel + mounting set, package

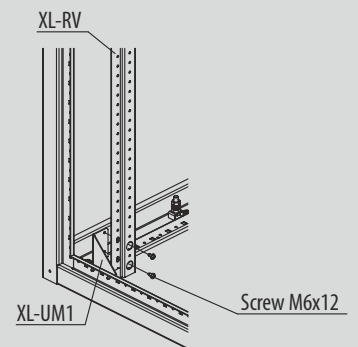
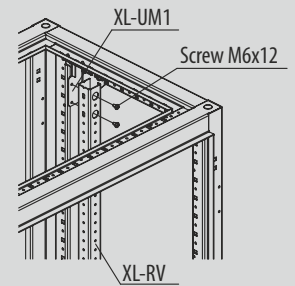
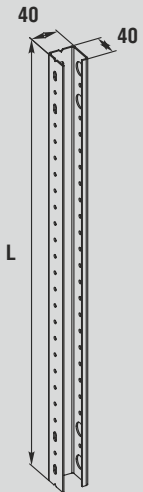
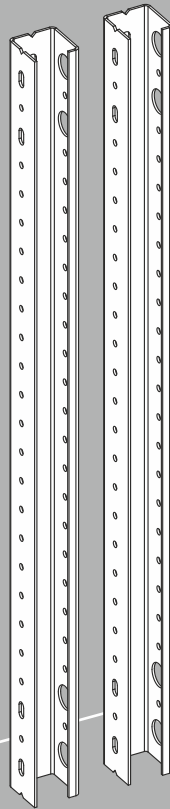




## Vertical rail XL-RV

**i**

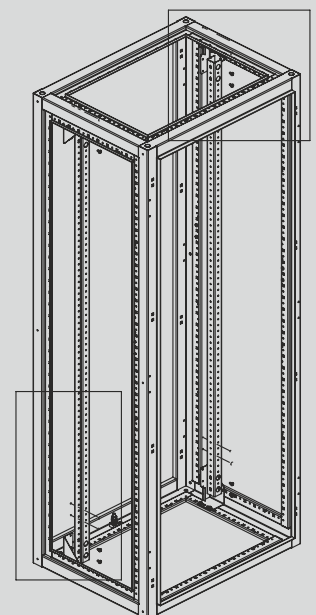
Vertical rails XL-RV are used for installation of the mounting parts, providing installation of electrical devices. Fastening on mounting corners XL-UM1/XL-UM2 and horizontal rails XL-RH



### Technical characteristics

**Material:** sheet steel  
**Surface:** zinc-plated  
**Supply includes:** vertical rail, 2 pcs. mounting set, package

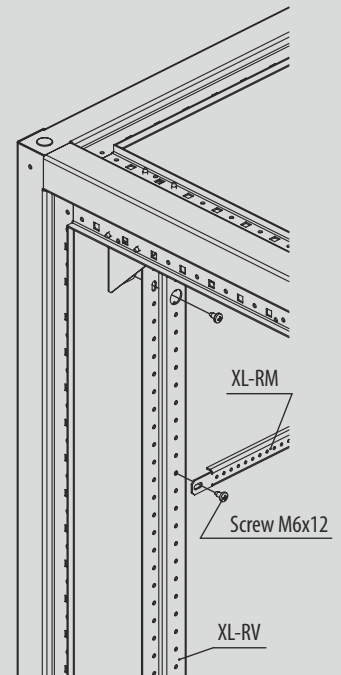
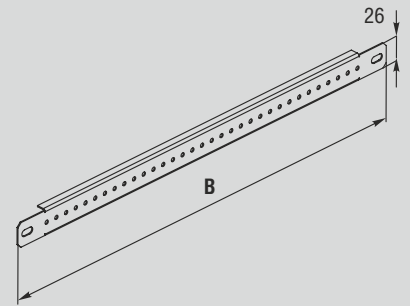
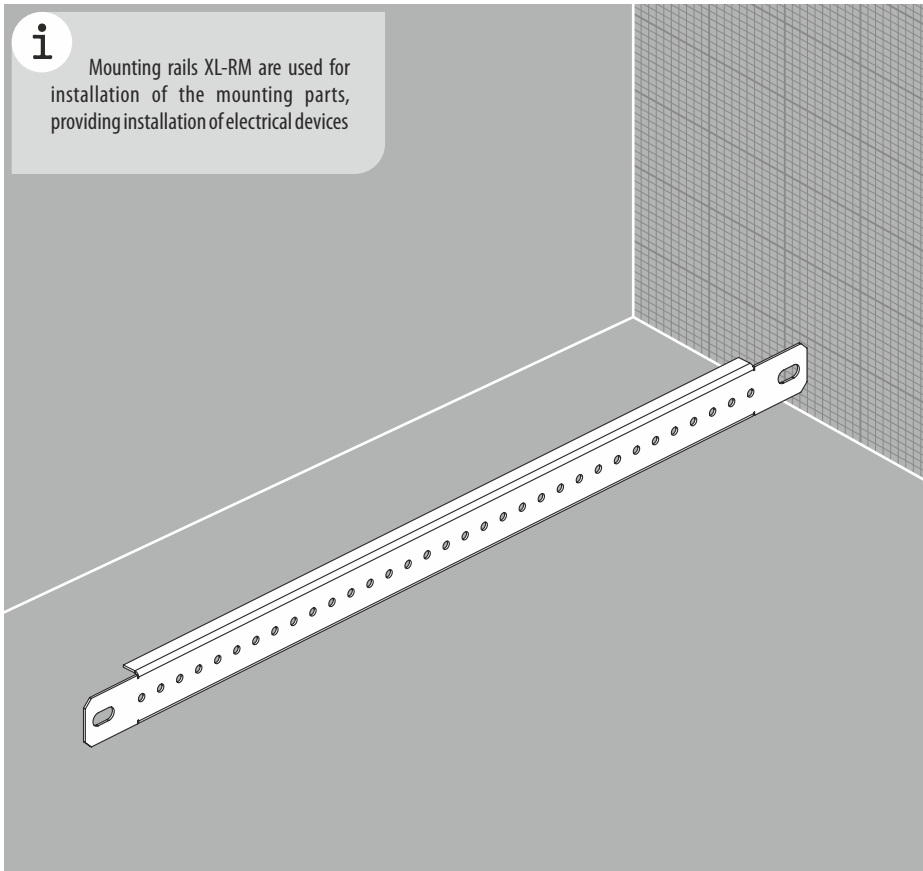
Order No.	Height (enclosure), mm	Height (rail) L, mm	Weight, kg	Packaging unit, piece
<b>XL-RV12</b>	1400	1250	2,53	2
<b>XL-RV14</b>	1600	1450	2,94	2
<b>XL-RV16</b>	1800	1650	3,35	2
<b>XL-RV18</b>	2000	1850	3,76	2
<b>XL-RV20</b>	2200	2050	4,17	2





# Mounting rail XL-RM

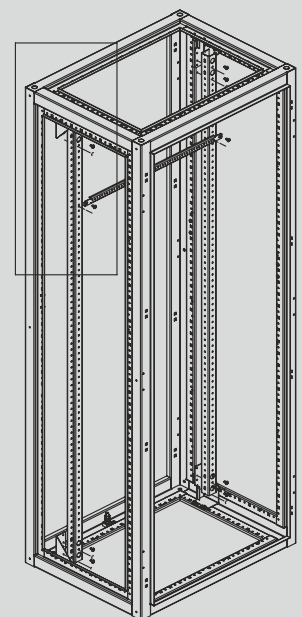
**i** Mounting rails XL-RM are used for installation of the mounting parts, providing installation of electrical devices



### Technical characteristics

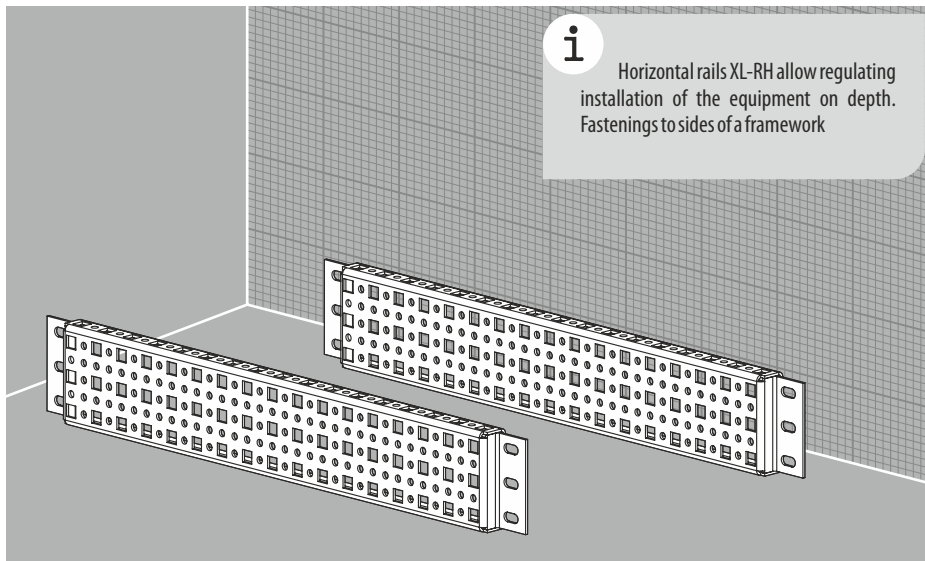
- Material:** sheet steel
- Surface:** zinc-plated
- Supply includes:** mounting rail, 6 pcs. + mounting set, package

Order No.	Width (enclosure), mm	Length (rail) B, mm	Weight, kg	Packaging unit, piece
<b>XL-RM4</b>	400	314	0,96	6
<b>XL-RM6</b>	600	514	1,68	6
<b>XL-RM8</b>	800	714	2,40	6
<b>XL-RM10</b>	1000	914	3,12	6
<b>XL-RM12</b>	1200	1114	3,84	6





## Horizontal rail XL-RH

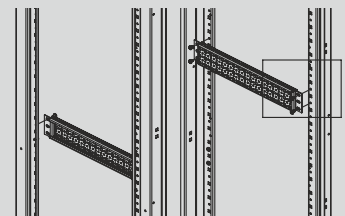
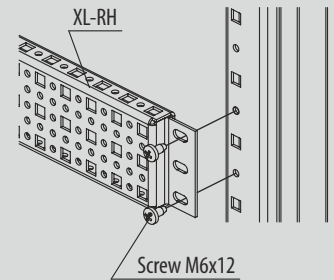
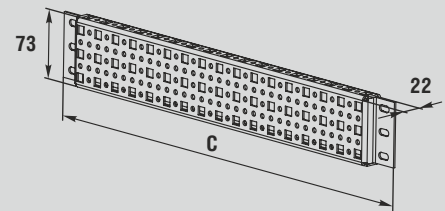


**i** Horizontal rails XL-RH allow regulating installation of the equipment on depth. Fastenings to sides of a framework

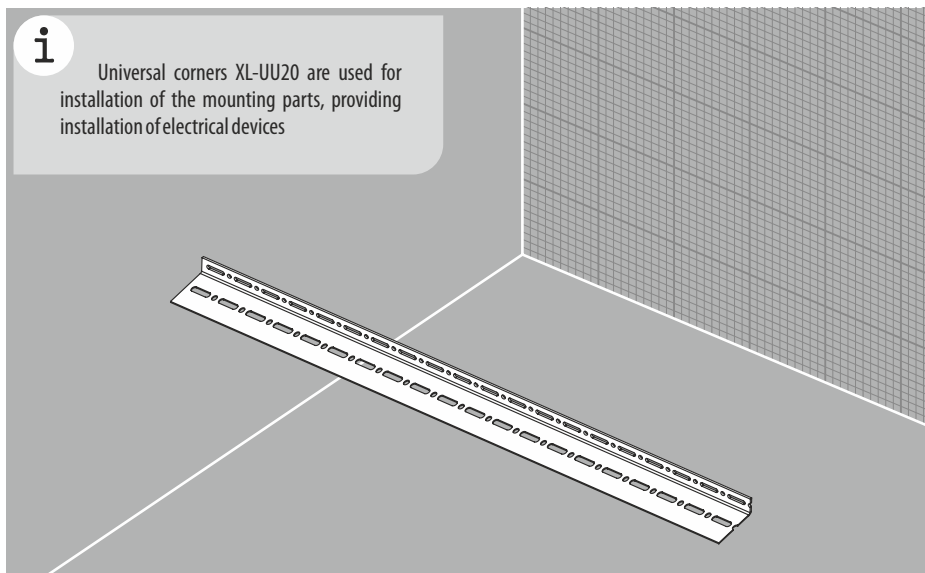
### Technical characteristics

- Material:** sheet steel
- Surface:** zinc-plated
- Supply includes:** horizontal rail, 2 pcs. + mounting set, package

Order No.	Depth (enclosure), mm	Length (rail) C, mm	Weight, kg	Packaging unit, piece
<b>XL-RH4</b>	400	276	0,66	2
<b>XL-RH6</b>	600	476	1,14	2
<b>XL-RH8</b>	800	676	1,60	2



## Universal corner XL-UU20

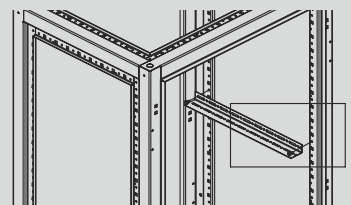
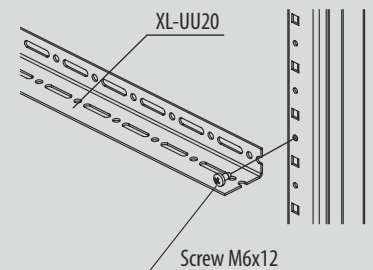
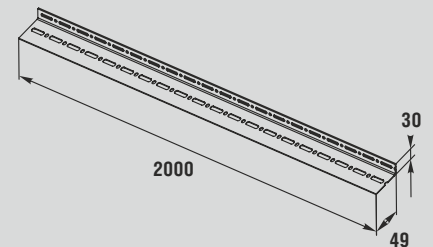


**i** Universal corners XL-UU20 are used for installation of the mounting parts, providing installation of electrical devices

### Technical characteristics

- Material:** sheet steel
- Surface:** zinc-plated
- Supply includes:** universal corner + mounting set, package

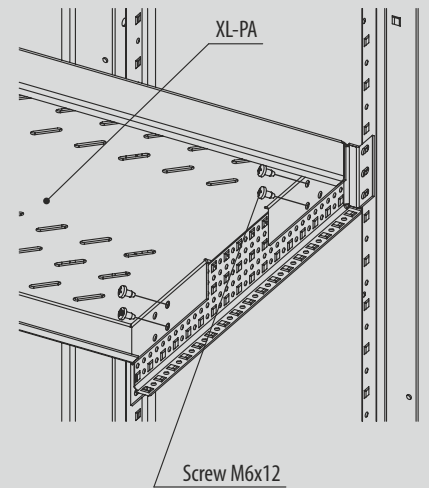
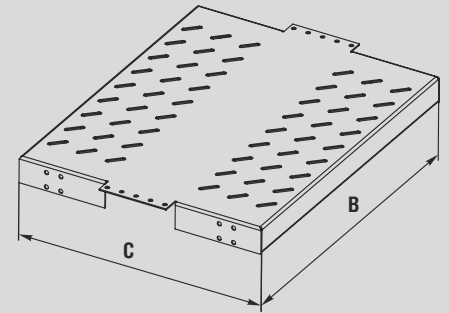
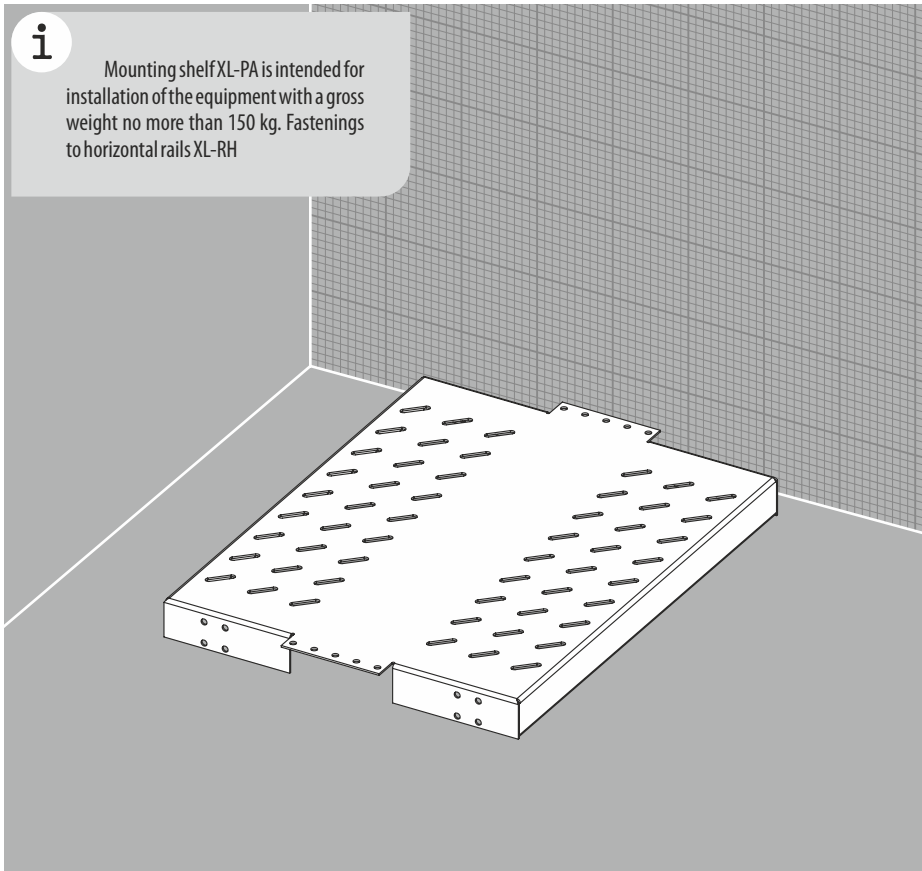
Order No.	Dimensions (universal corner), mm	Weight, kg	Packaging unit, piece
<b>XL-UU20</b>	2000x49x30	2,30	2





# Mounting shelf XL-PA

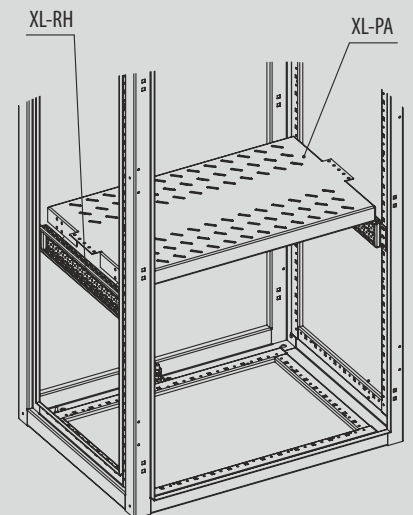
**i** Mounting shelf XL-PA is intended for installation of the equipment with a gross weight no more than 150 kg. Fastenings to horizontal rails XL-RH



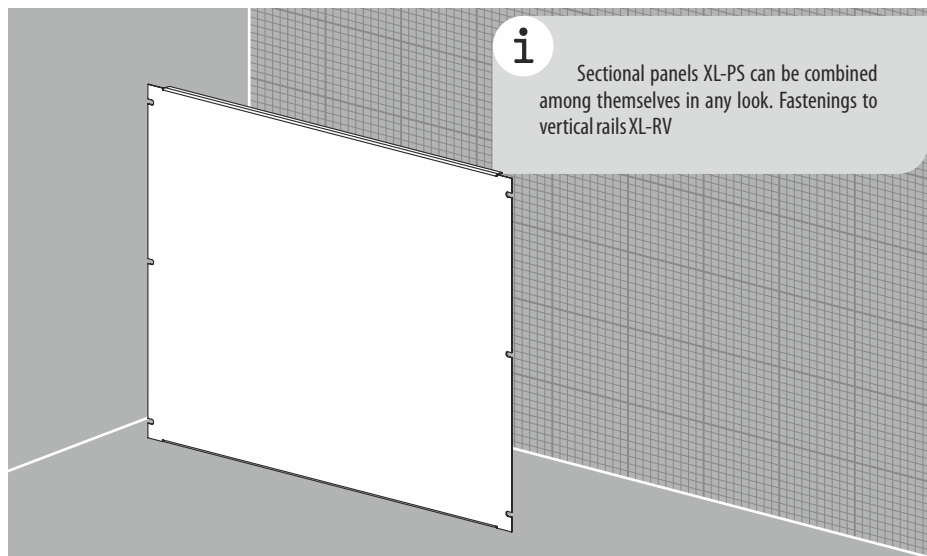
Order No.	Dimensions (enclosure)		Dimensions (mounting shelf)		Weight, kg	Packaging unit, piece
	Width, mm	Depth, mm	B, mm	C, mm		
XL-PA44	400	400	332	220	1,87	1
XL-PA46	400	600	332	420	3,13	1
XL-PA48	400	800	332	620	4,41	1
XL-PA64	600	400	532	220	2,88	1
XL-PA66	600	600	532	420	4,74	1
XL-PA68	600	800	532	620	6,64	1
XL-PA84	800	400	732	220	3,88	1
XL-PA86	800	600	732	420	6,35	1
XL-PA88	800	800	732	620	8,86	1
XL-PA104	1000	400	932	220	4,89	1
XL-PA106	1000	600	932	420	7,96	1
XL-PA108	1000	800	932	620	11,09	1
XL-PA124	1200	400	1132	220	5,90	1
XL-PA126	1200	600	1132	420	9,58	1
XL-PA128	1200	800	1132	620	13,31	1

## Technical characteristics

- Material:** sheet steel
- Surface:** zinc-plated
- Supply includes:** shelf + mounting set, package

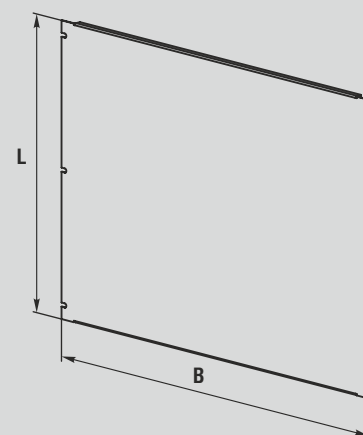


## Sectional panel XL-PS



i

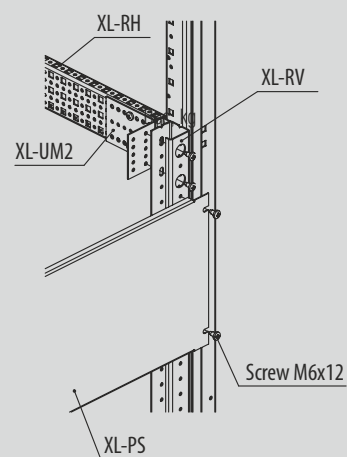
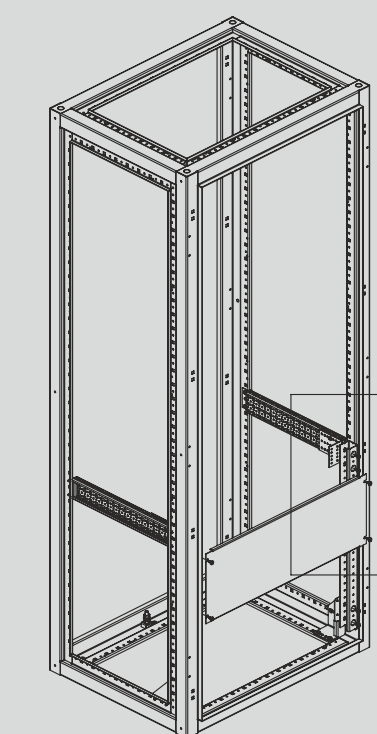
Sectional panels XL-PS can be combined among themselves in any look. Fastenings to vertical rails XL-RV



Order No.	Width (enclosure), mm	Dimensions (Sectional panel)		Weight, kg	Packaging unit, piece
		L, mm	B, mm		
XL-PS14	400	100	300	0,40	1
XL-PS16	600	100	500	0,68	1
XL-PS18	800	100	700	0,96	1
XL-PS110	1000	100	900	1,23	1
XL-PS112	1200	100	1100	1,51	1
XL-PS154	400	150	300	0,57	1
XL-PS156	600	150	500	0,97	1
XL-PS158	800	150	700	1,37	1
XL-PS1510	1000	150	900	1,76	1
XL-PS1512	1200	150	1100	2,15	1
XL-PS24	400	200	300	0,75	1
XL-PS26	600	200	500	1,26	1
XL-PS28	800	200	700	1,78	1
XL-PS210	1000	200	900	2,29	1
XL-PS212	1200	200	1100	2,80	1
XL-PS254	400	250	300	0,93	1
XL-PS256	600	250	500	1,56	1
XL-PS258	800	250	700	2,20	1
XL-PS2510	1000	250	900	2,82	1
XL-PS2512	1200	250	1100	3,45	1
XL-PS34	400	300	300	1,10	1
XL-PS36	600	300	500	1,85	1
XL-PS38	800	300	700	2,61	1
XL-PS310	1000	300	900	3,34	1
XL-PS312	1200	300	1100	4,09	1
XL-PS44	400	400	300	1,45	1
XL-PS46	600	400	500	2,45	1
XL-PS48	800	400	700	3,44	1
XL-PS410	1000	400	900	4,40	1
XL-PS412	1200	400	1100	5,38	1
XL-PS54	400	500	300	1,81	1
XL-PS56	600	500	500	3,02	1
XL-PS58	800	500	700	4,24	1
XL-PS510	1000	500	900	5,46	1
XL-PS512	1200	500	1100	6,67	1

### Technical characteristics

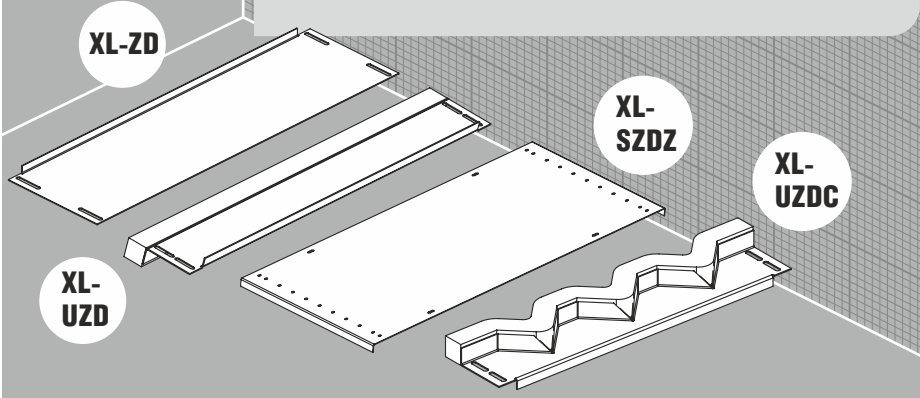
<b>Material:</b>	sheet steel
<b>Surface:</b>	powder-coated RAL 7035
<b>Supply includes:</b>	sectional panel + mounting set, package





# Bottom protection XL-ZD, XL-UZD, XL-SZDZ, XL-UZDC

**i** Bottom protections XL-ZD, XL-UZD, XL-SZDZ are intended for the organization of cable entry and protection of the lower part of a cabinet against hit of water and dust. For closing of an aperture - the necessary combination from panels is selected.

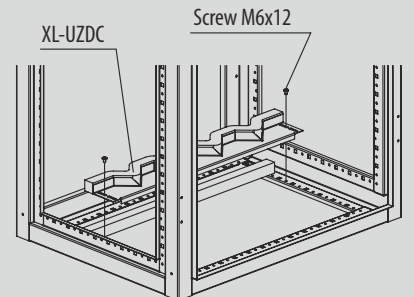
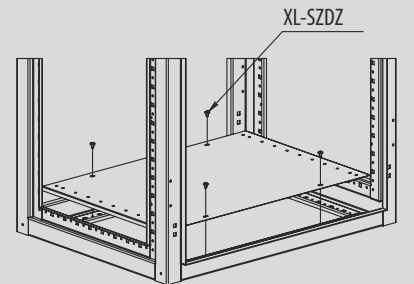
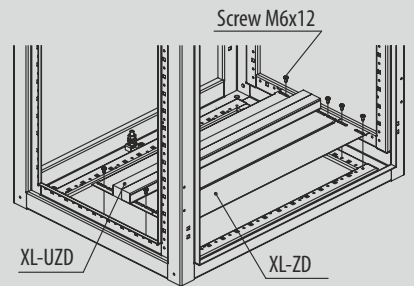
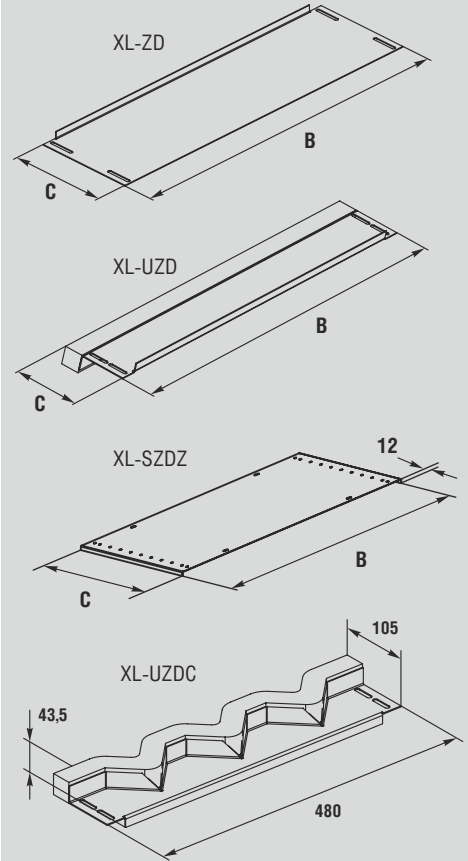


Order No.	Width (enclosure), mm	Dimensions (floor panel)		Weight, kg	Packaging unit, piece
		B, mm	C, mm		
XL-ZD14	400	280	100	0,35	1
XL-ZD16	600	480	100	0,61	1
XL-ZD18	800	680	100	0,88	1
XL-ZD110	1000	880	100	1,14	1
XL-ZD112	1200	1080	100	1,40	1
XL-ZD24	400	280	200	0,67	1
XL-ZD26	600	480	200	1,17	1
XL-ZD28	800	680	200	1,67	1
XL-ZD210	1000	880	200	2,16	1
XL-ZD212	1200	1080	200	2,66	1
XL-UZD14	400	280	100	0,35	2
XL-UZD16	600	480	100	0,61	2
XL-UZD18	800	680	100	0,87	2
XL-UZD110	1000	880	100	1,13	2
XL-UZD112	1200	1080	100	1,39	2
XL-UZDC14	400	280	100	0,32	1
XL-UZDC16	600	480	100	0,53	1
XL-UZDC18	800	680	100	0,77	1
XL-UZDC110	1000	880	100	0,98	1
XL-UZDC112	1200	1080	100	1,24	1

Order No.	Dimensions (enclosure)		Dimensions (floor panel)		Weight, kg	Packaging unit, piece
	Width, mm	Depth, mm	B, mm	C, mm		
XL-SZDZ64	600	400	510	295	1,23	1
XL-SZDZ66	600	600	510	495	2,07	1
XL-SZDZ68	600	800	510	695	2,90	1
XL-SZDZ84	800	400	710	295	1,70	1
XL-SZDZ86	800	600	710	495	2,85	1
XL-SZDZ88	800	800	710	695	4,00	1
XL-SZDZ104	1000	400	910	295	1,64	1
XL-SZDZ106	1000	600	910	495	3,11	1
XL-SZDZ108	1000	800	910	695	4,57	1
XL-SZDZ124	1200	400	1110	295	1,99	1
XL-SZDZ126	1200	600	1110	495	3,77	1
XL-SZDZ128	1200	800	1110	695	5,55	1

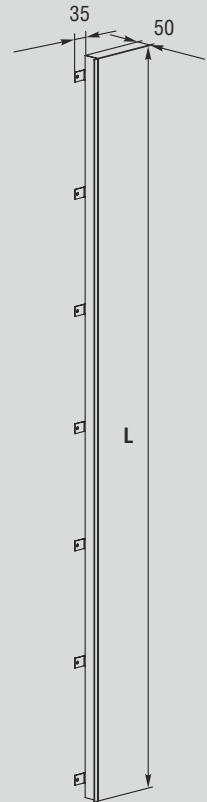
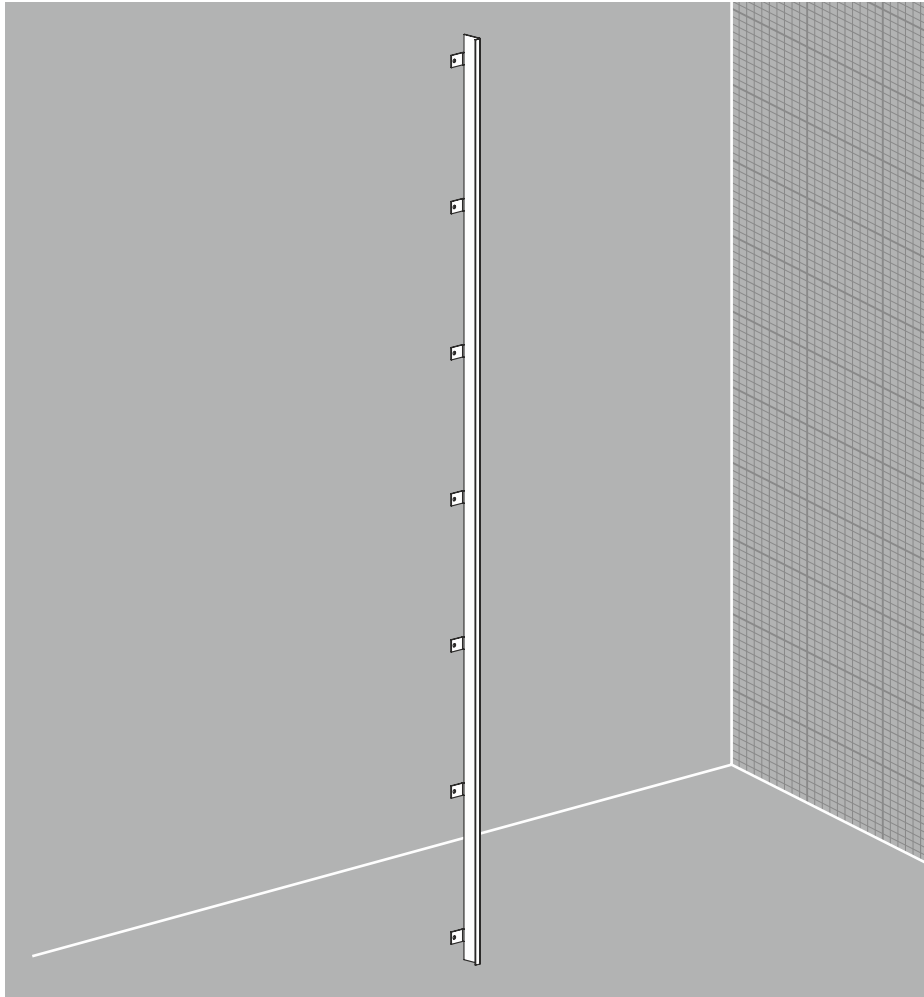
### Technical characteristics

- Material:** sheet steel
- Surface:** zinc-plated
- Sealing:** foam rubber (for UZD, UZDC)
- Supply includes:** bottom protection + mounting set, package





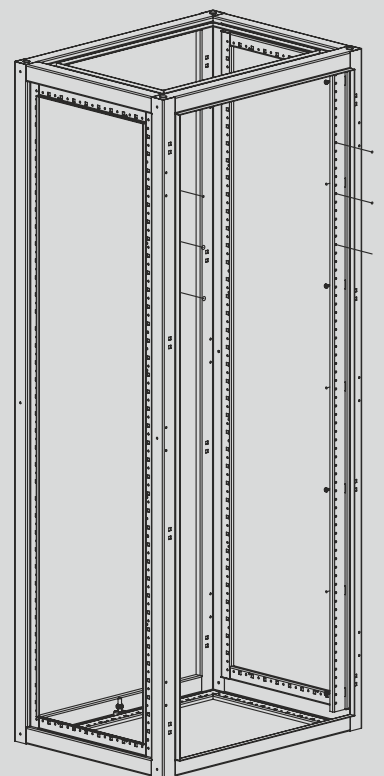
## Mounting corner XL-RS



### Technical characteristics

- Material:** sheet steel  
**Surface:** powder-coated RAL 7035  
**Supply includes:** corner for sectional panels, 2 pcs. + mounting set, package

Order No.	Height (enclosure), mm	Height (rail) L, mm	Weight, kg	Packaging unit, piece
<b>XL-RS12</b>	1400	1300	2,53	2
<b>XL-RS14</b>	1600	1500	2,94	2
<b>XL-RS16</b>	1800	1700	3,35	2
<b>XL-RS18</b>	2000	1900	3,76	2
<b>XL-RS20</b>	2200	2100	4,17	2

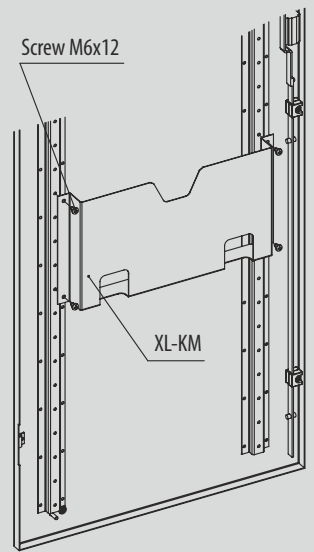
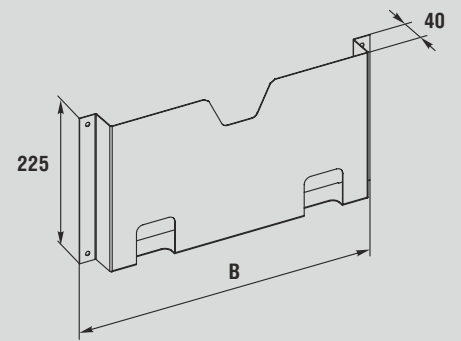
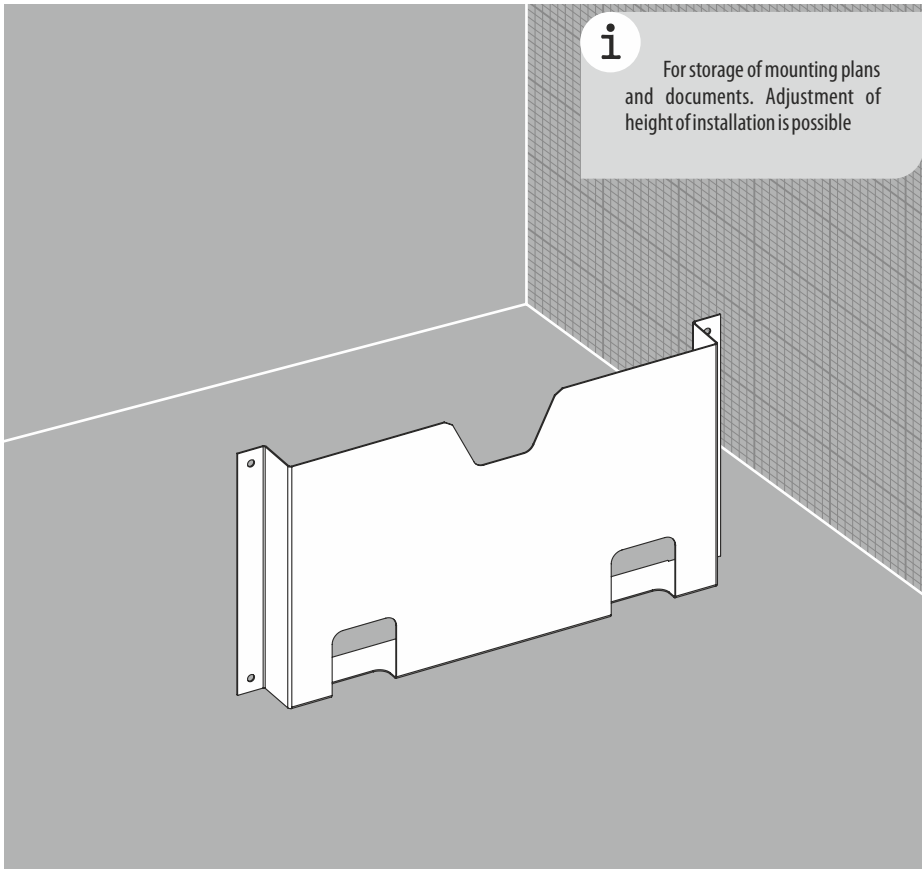






# Document holder XL-KM

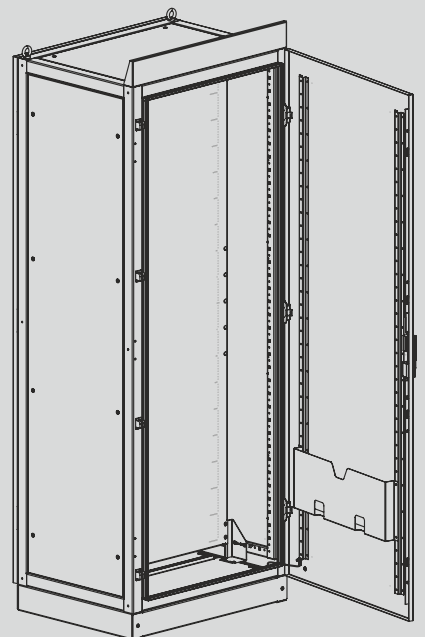
**i** For storage of mounting plans and documents. Adjustment of height of installation is possible



## Technical characteristics

- Material:** steel
- Surface:** powder-coated RAL 7035
- Supply includes:** holder+ mounting set, package

Order No.	Width (enclosure), mm	Width (document holder) B, mm	Weight, kg	Packaging unit, piece
<b>XL-KM4</b>	400	240	0,56	1
<b>XL-KM5</b>	1000	340	0,68	1
<b>XL-KM6</b>	600/1200	440	0,89	1
<b>XL-KM8</b>	800	640	1,26	1

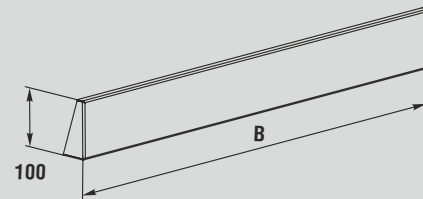
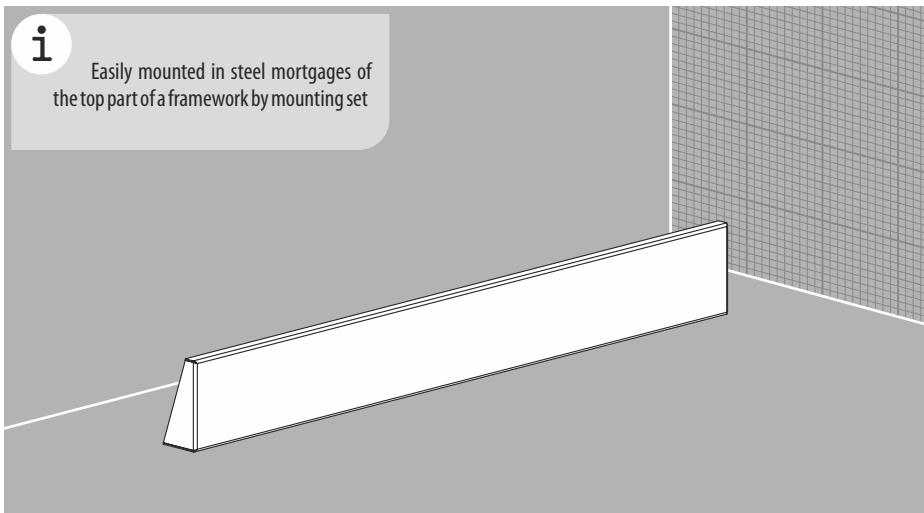




## Information panel XL-PI

**i**

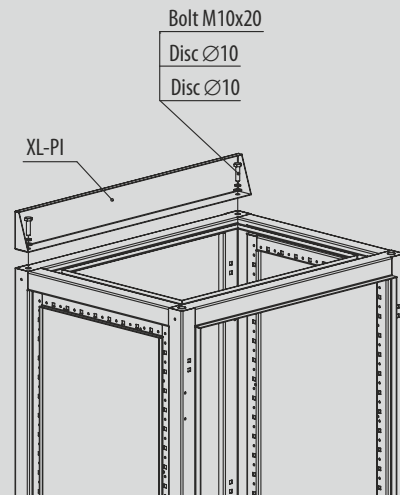
Easily mounted in steel mortgages of the top part of a framework by mounting set



### Technical characteristics

**Material:** steel  
**Surface:** powder-coated RAL 7035  
**Supply includes:** panel + mounting set, package

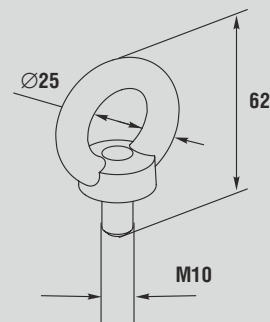
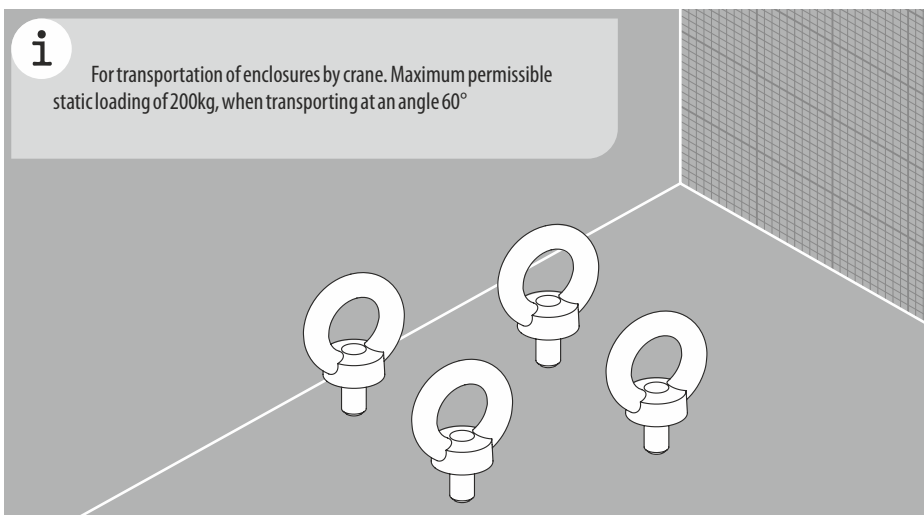
Order No.	Width (enclosure), mm	Width (Panel) B, mm	Weight, kg	Packaging unit, piece
<b>XL-PI6</b>	600	600	0,84	1
<b>XL-PI8</b>	800	800	1,10	1
<b>XL-PI10</b>	1000	1000	1,37	1
<b>XL-PI12</b>	1200	1200	1,63	1



## Eyebolts XL-RB

**i**

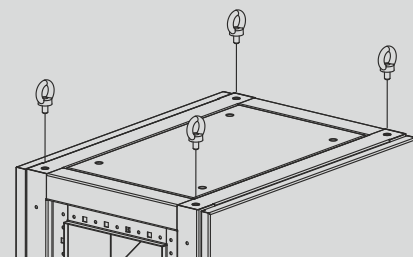
For transportation of enclosures by crane. Maximum permissible static loading of 200kg, when transporting at an angle 60°



### Technical characteristics

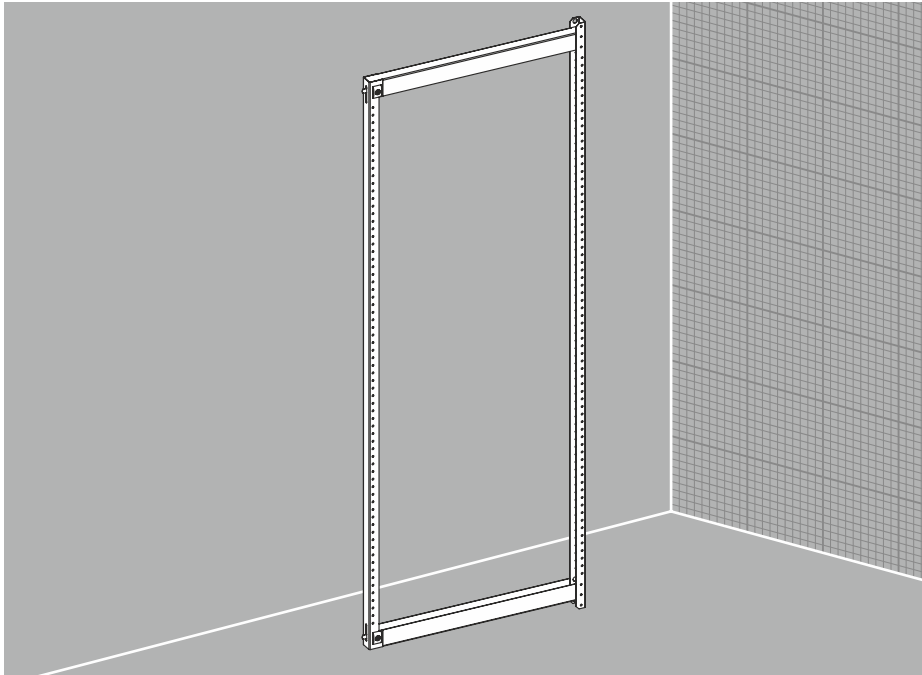
**Material:** steel  
**Surface:** galvanized  
**Supply includes:** 4x transport eyelets, packaging

Order No.	Packaging unit
<b>XL-RB</b>	4





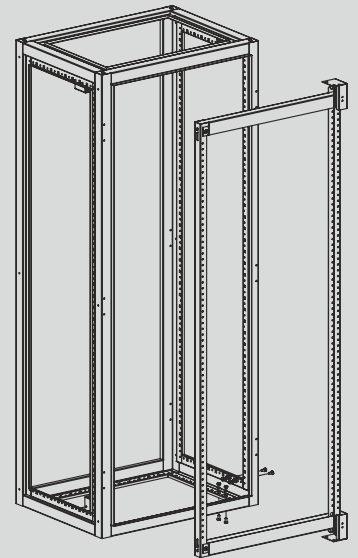
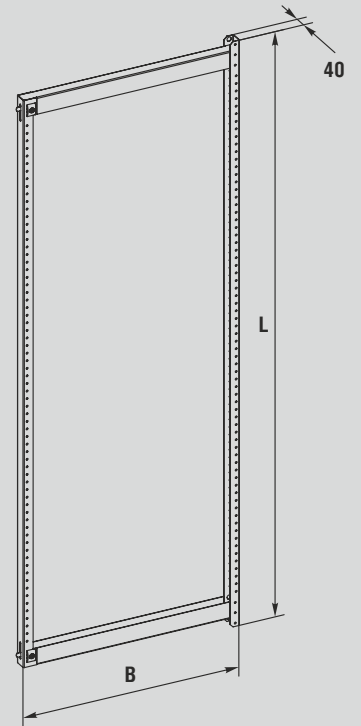
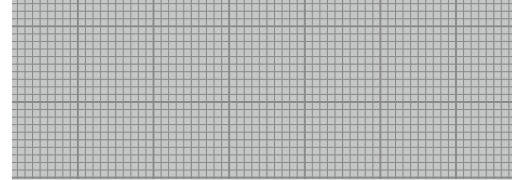
## Swing frame XL-RP



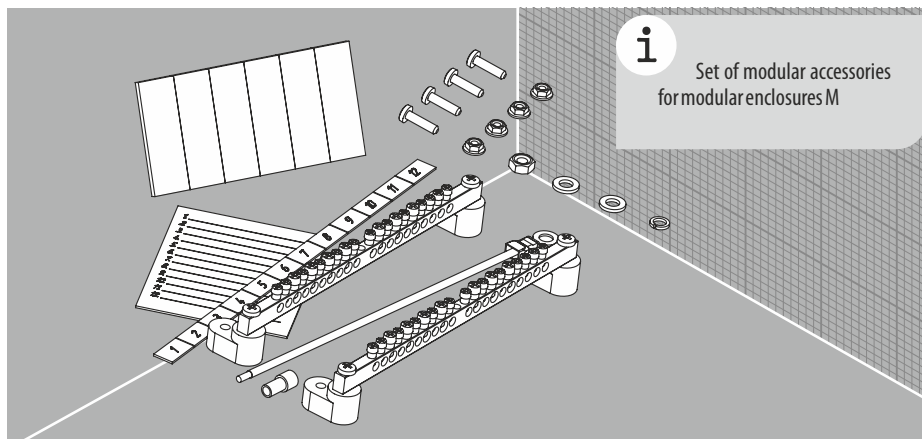
### Technical characteristics

- Material:** steel  
**Surface:** powder-coated RAL 7035  
**Supply includes:** swing frame  
 + mounting set,  
 packaging

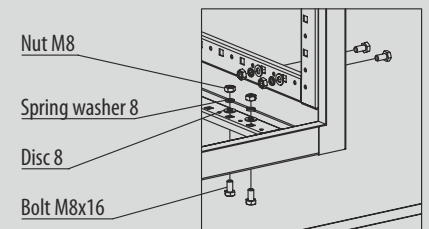
Order No.	Dimensions (enclosure)		Dimensions (swing frame)		Weight, kg	Packaging unit, piece
	Height, mm	Width, mm	L, mm	B, mm		
<b>XL-RP208</b>	2000	800	1930	714	7	1
<b>XL-RP228</b>	2200	800	2130	714	8	1



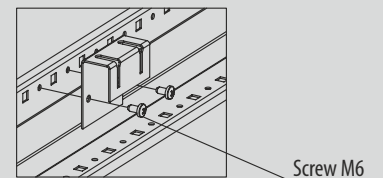
## Set of accessories KPM



**i** Set of modular accessories for modular enclosures M

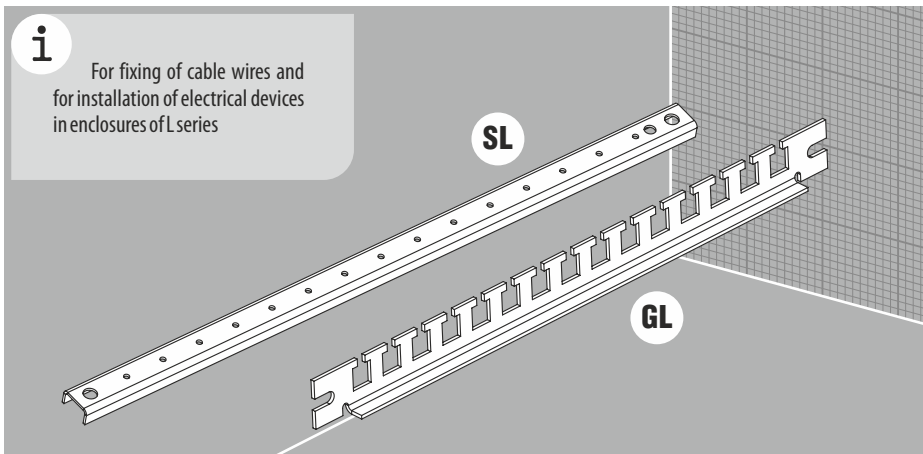


Order No.	Number of modules in enclosure piece	Packaging unit
<b>KPM-12</b>	12	1
<b>KPM-24</b>	24	1
<b>KPM-36</b>	36	1
<b>KPM-48</b>	48	1
<b>KPM-70</b>	70	1





## Cable channels SL, GL



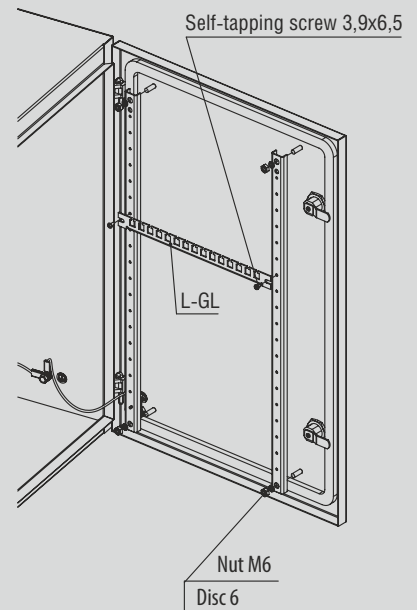
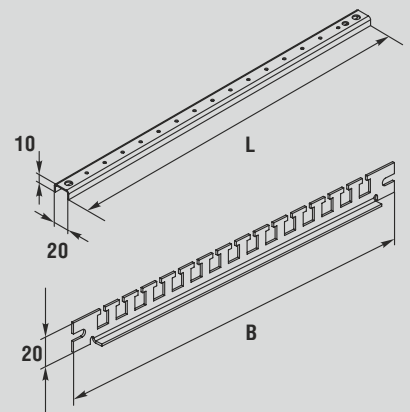
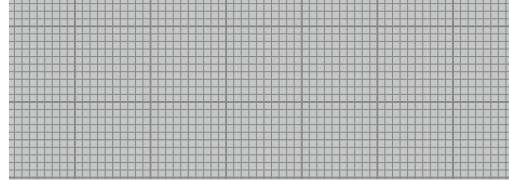
For fixing of cable wires and for installation of electrical devices in enclosures of L series

### Technical characteristics

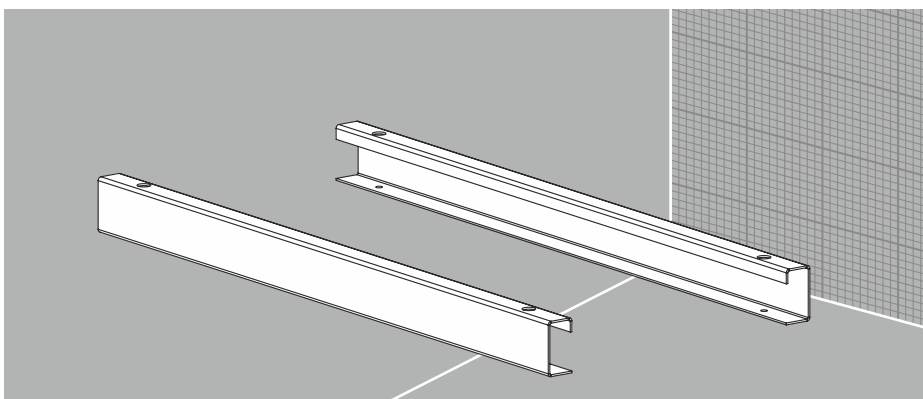
**Material:** sheet steel  
**Surface:** zinc plated  
**Supply includes:** mounting rail, 2 pcs. + mounting set, package

Order No.	Height (enclosure), mm	Length (rail) L, mm	Weight, kg	Packaging unit, piece
SL-5	500	420	0,34	2
SL-6	600	520	0,42	2
SL-8	800	720	0,58	2
SL-10	1000	920	0,74	2
SL-12	1200	1120	0,92	2

Order No.	Width (enclosure), mm	Length (rail) B, mm	Weight, kg	Packaging unit, piece
GL-4	400	266	0,12	2
GL-5	500	366	0,16	2
GL-6	600	466	0,22	2
GL-8	800	666	0,30	2

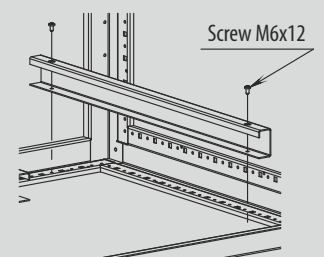
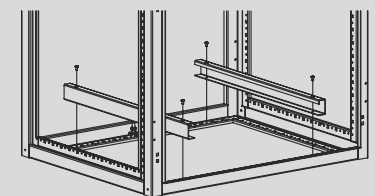
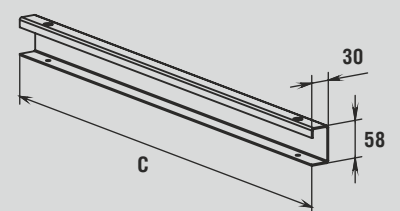


## Support rails XL-MS



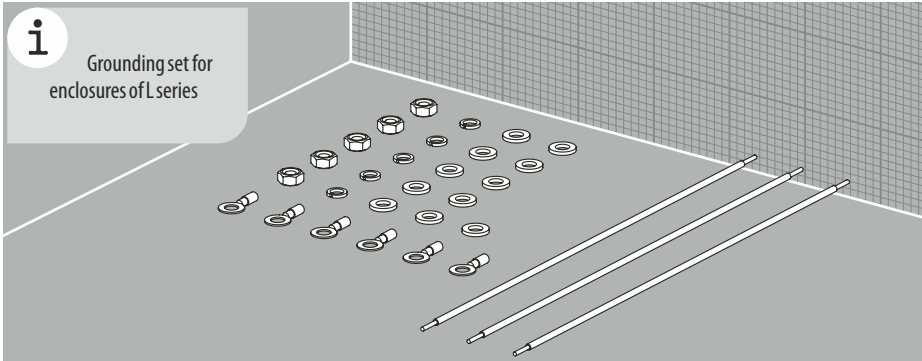
### Technical characteristics

**Material:** steel  
**Surface:** powder-coated RAL 7035  
**Supply includes:** support rails, 2 pcs. + mounting set, package





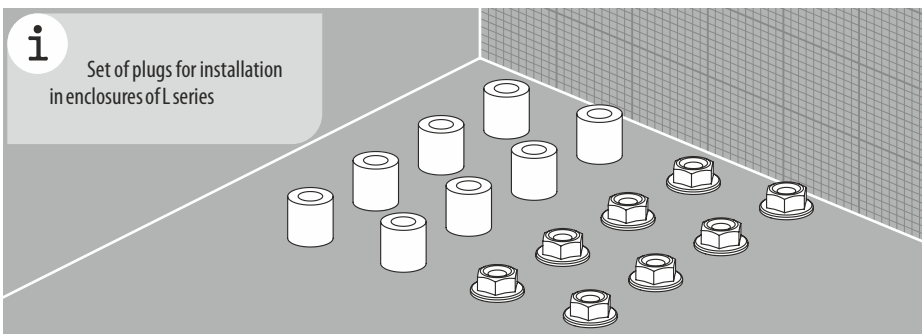
## Grounding set KZ-L



**i** Grounding set for enclosures of L series

Order No.	Verpackungseinheit
KZ-L	1

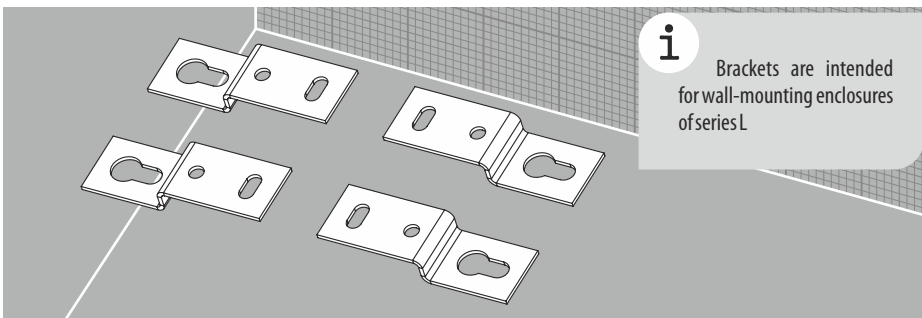
## Cable glands V-RM



**i** Set of plugs for installation in enclosures of L series

Order No.	Packaging unit, piece
V-RM	8

## Mounting brackets SML

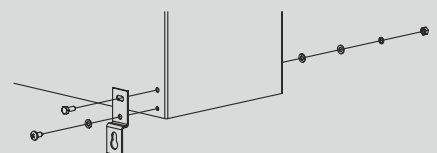
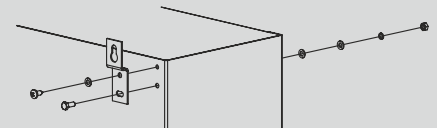
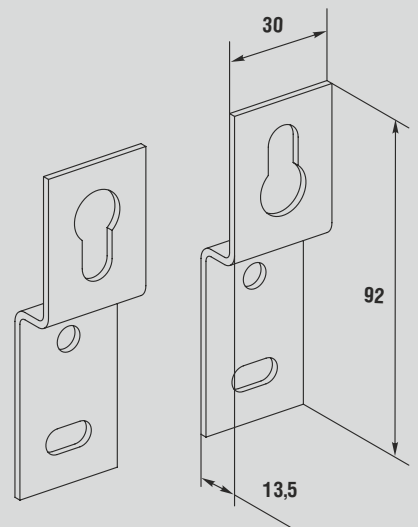
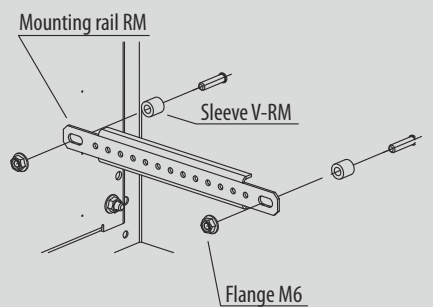
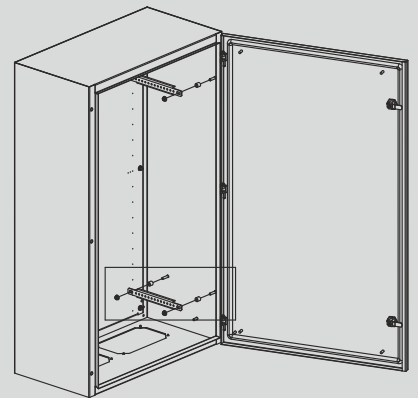


**i** Brackets are intended for wall-mounting enclosures of series L

### Technical characteristics

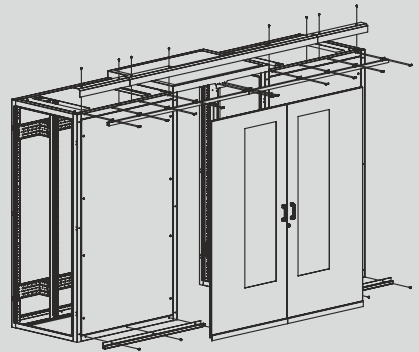
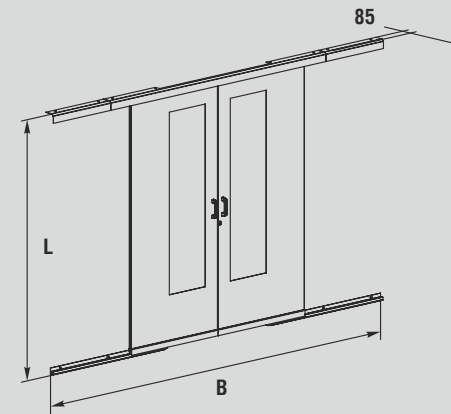
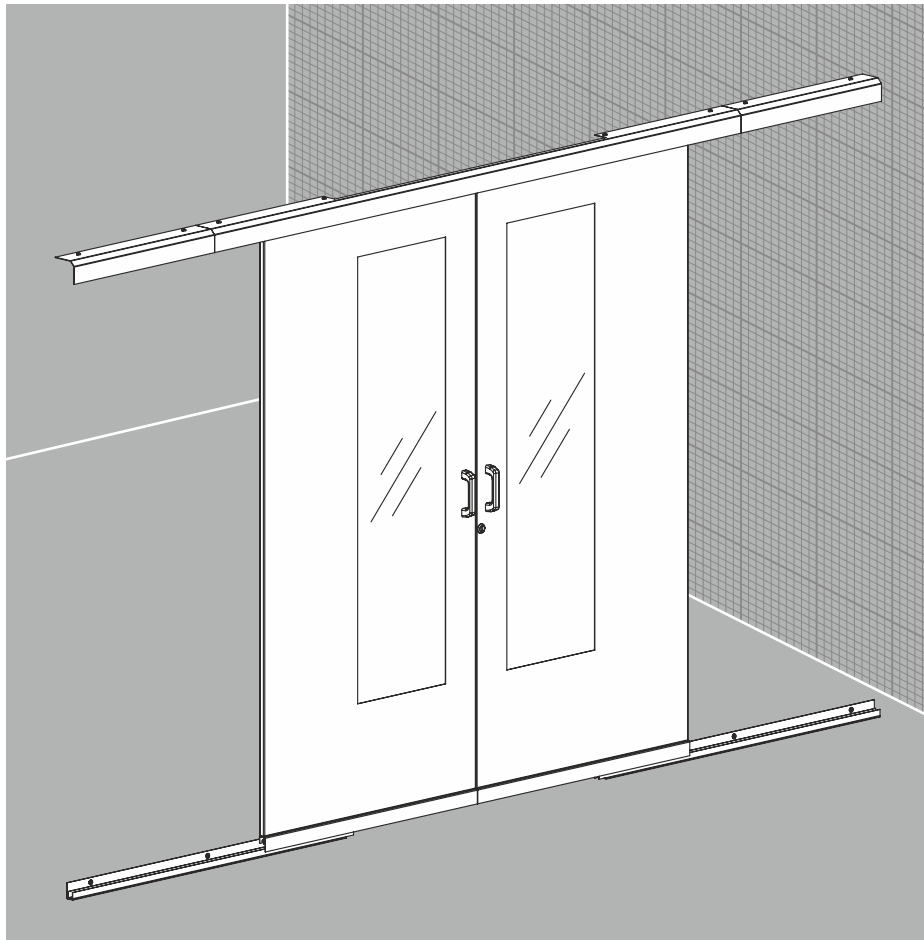
- Material:** sheet steel
- Surface:** galvanized
- Supply includes:** mounting brackets, 4 pcs. + mounting set, package

Order No.	Packaging unit, piece
SML	4





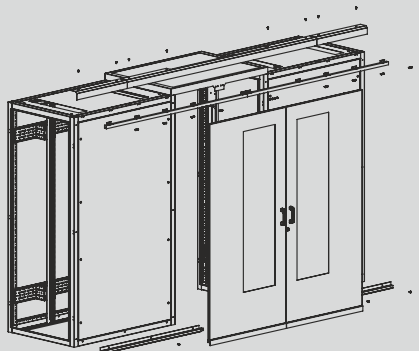
## Door-system for Data Center 3D-SDR



Order No.	Dimensions (door)		Weight, kg	Packaging unit, piece
	Height L, mm	Width B, mm		
3D-SDR	2000	1800	50	1

### Technical characteristics

- Material:** sheet steel
- Surface:** powder-coated RAL 7035
- Supply includes:** door system+ mounting set, package

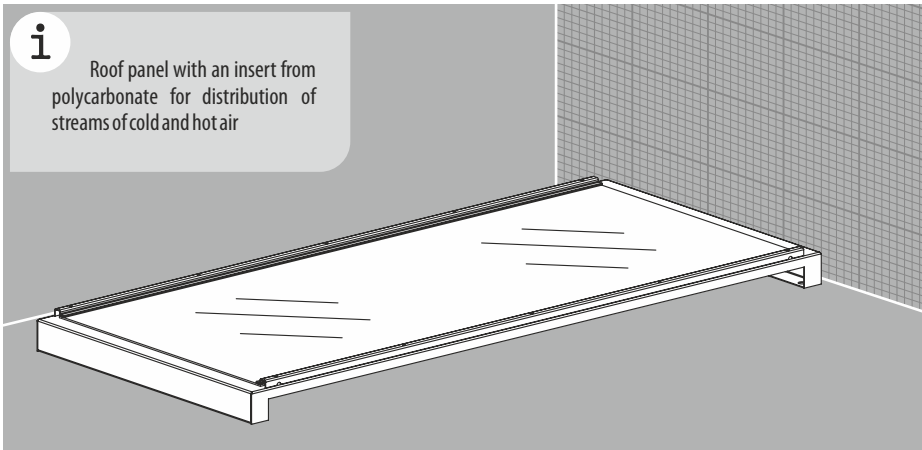




## Roof panel for Data Center 3D-PS

**i**

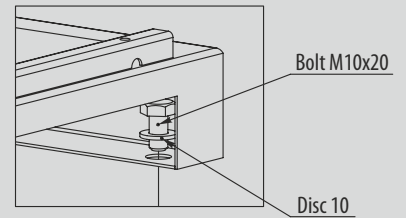
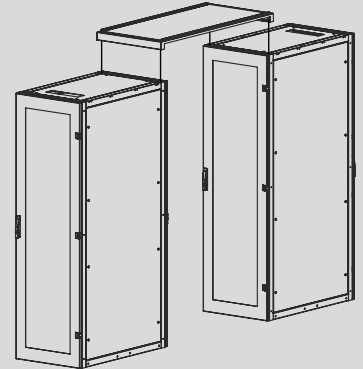
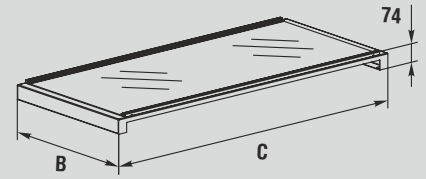
Roof panel with an insert from polycarbonate for distribution of streams of cold and hot air



Order No.	Width (enclosure), mm	Dimensions (roof panel)		Weight, kg	Packaging unit, piece
		B, mm	C, mm		
3D-PS612	600	600	1350	7,46	1
3D-PS812	800	800	1350	9,06	1

### Technical characteristics

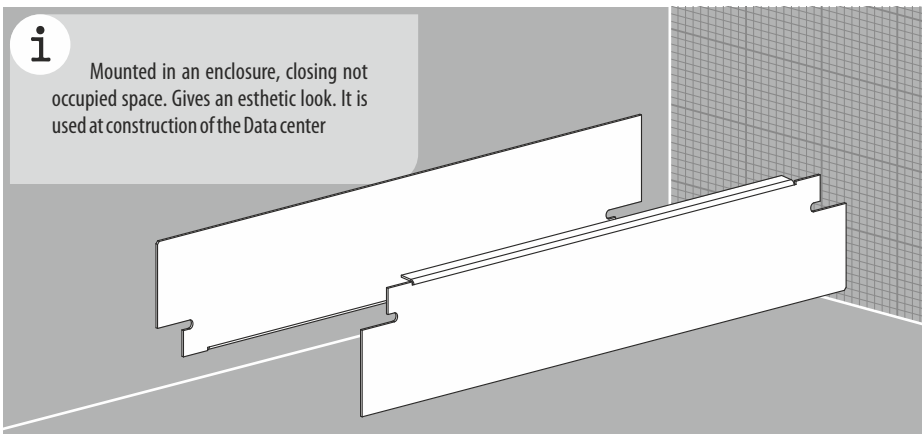
- Material:** sheet steel  
**Surface:** powder-coated RAL 7035  
**Supply includes:** Roof panel + installation set, package



## Sectional decorative panels XL-DSP

**i**

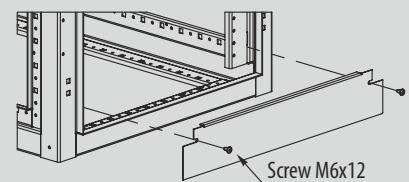
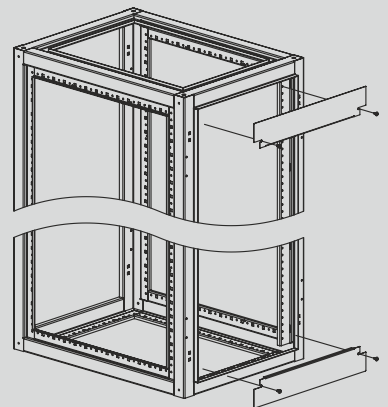
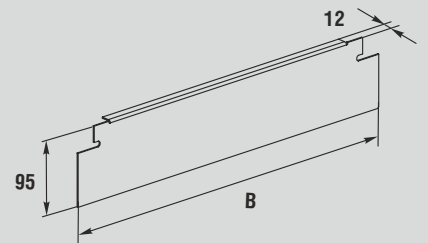
Mounted in an enclosure, closing not occupied space. Gives an esthetic look. It is used at construction of the Data center



### Technical characteristics

- Material:** sheet steel  
**Surface:** powder-coated RAL 7035  
**Supply includes:** sectional decorative panel + mounting set, package

Order No.	Width (enclosure), mm	Width (plate) B, mm	Weight, kg	Packaging unit, piece
XL-DSP4	400	358	0,43	1
XL-DSP6	600	558	0,69	1
XL-DSP8	800	758	0,95	1
XL-DSP10	1000	958	1,21	1
XL-DSP12	1200	1158	1,47	1

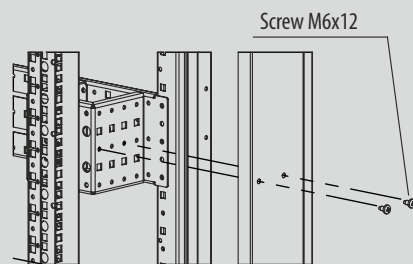
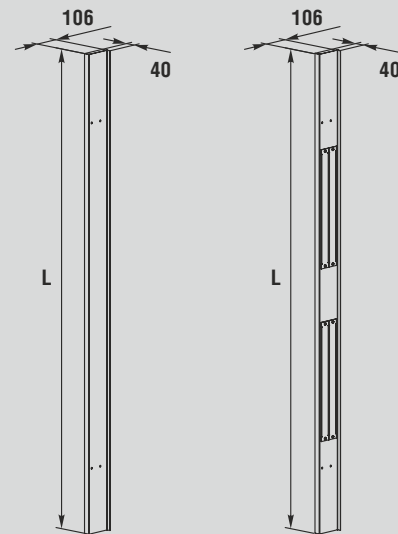
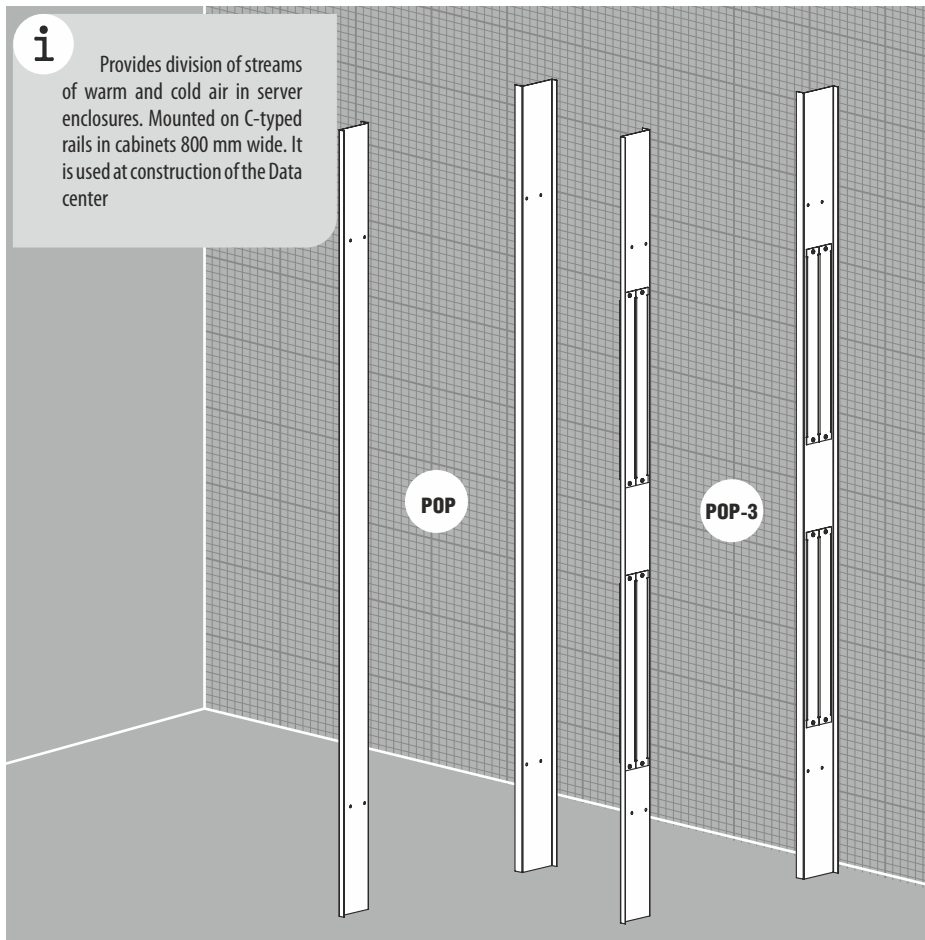




## Air limiter panel POP, POP-3

**i**

Provides division of streams of warm and cold air in server enclosures. Mounted on C-typed rails in cabinets 800 mm wide. It is used at construction of the Data center

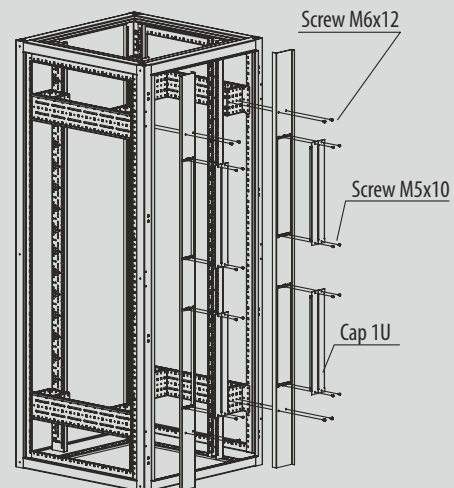


Order No.	Dimensions (enclosure)		Height (panel) L, mm	Weight, kg	Packaging unit, piece
	Montage Height, HE	Height, mm			
POP-20	42	2000	1945	2,29	2
POP-22	46	2200	2145	2,52	2
POP-20-3	42	2000	1945	2,29	2
POP-22-3	46	2200	2145	2,52	2

### Technical characteristics

**POP** **Material:** sheet steel  
**Surface:** powder-coated RAL 7035  
**Supply includes:** panel, 2 pcs. mounting set, package

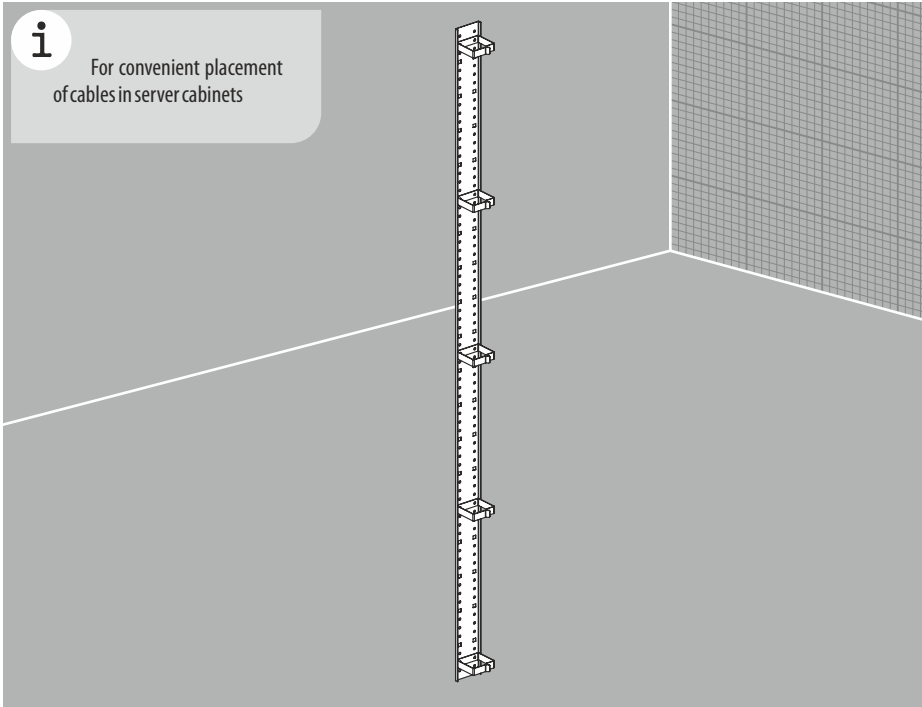
**POP-3** **Material:** sheet steel  
**Surface:** powder-coated RAL 7035  
**Supply includes:** panel, 2 pcs. mounting set, package







## Panel with vertical cable organizers PVO

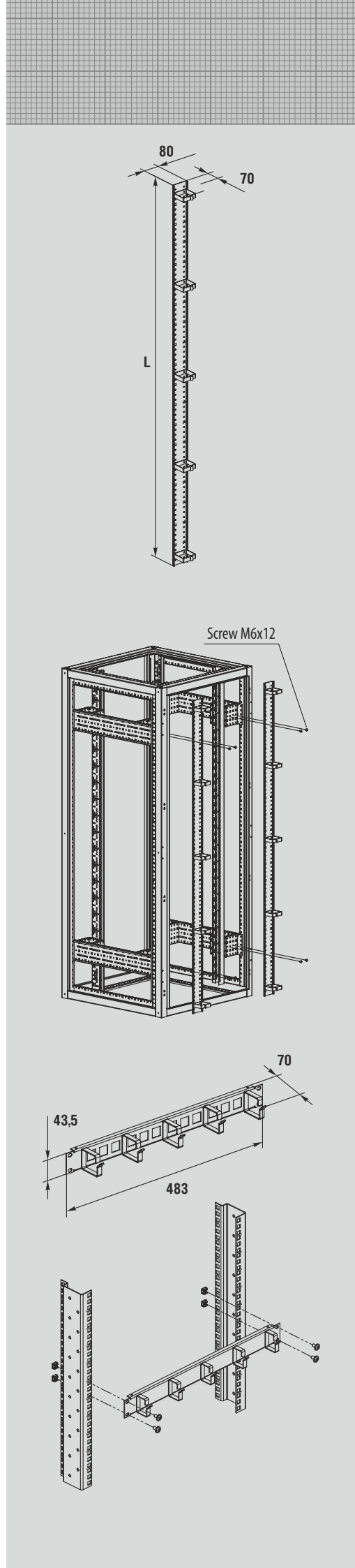


**i** For convenient placement of cables in server cabinets

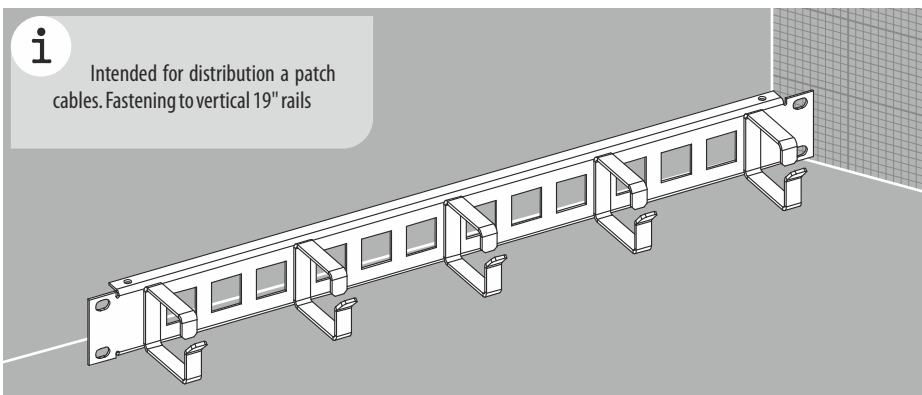
### Technical characteristics

**Material:** sheet steel  
**Surface:** powder-coated RAL 7035  
**Supply includes:** panel with vertical cable organizers + installation set, packaging

Order No.	Dimensions (enclosure), mm		Height (panel) L, mm	Weight, kg	Packaging unit, piece
	HE	Height, mm			
<b>PVO-20</b>	42	2000	1900	1,81	1
<b>PVO-22</b>	46	2200	2100	1,95	1



## Panel with cable organizers P019



**i** Intended for distribution a patch cables. Fastening to vertical 19" rails

### Technical characteristics

**Material:** sheet steel  
**Surface:** powder-coated RAL 7035  
**Supply includes:** panel with cable organizers + installation kit, packaging

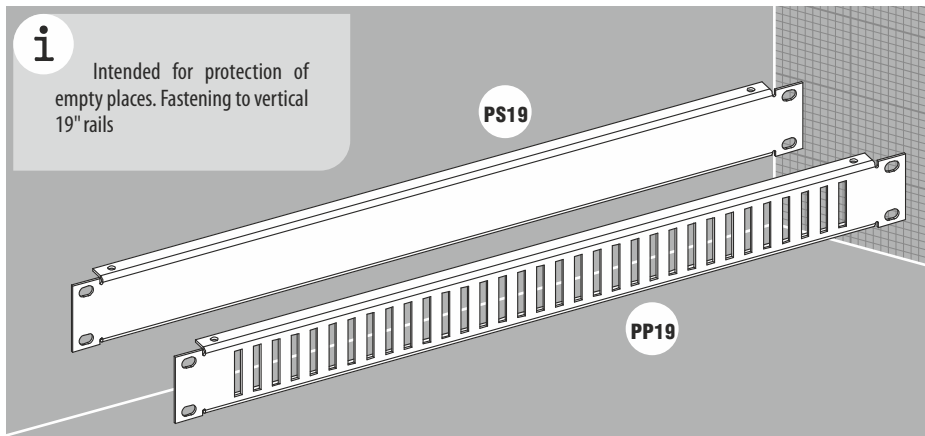
Order No.	Montage-Height, HE	Dimensions (ring), mm	Weight, kg	Packaging unit, piece
<b>P019-1U</b>	1	40x60	0,84	2



## Punched sectional panels P S19, PP19

**i**

Intended for protection of empty places. Fastening to vertical 19" rails

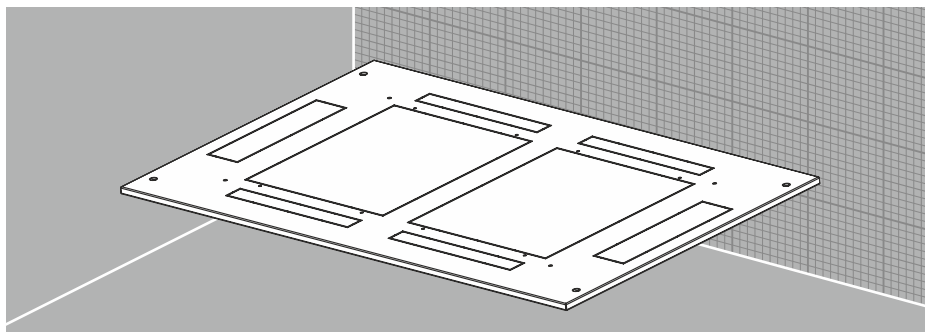


### Technical characteristics

**Material:** sheet steel  
**Surface:** powder-coated RAL 7035  
**Supply includes:** panel + installation set, packaging

Order No.	Montage-Height, HE	Weight, kg	Packaging unit, piece
PS19-1U	1	0,714	2
PS19-2U	2	1,260	2
PS19-3U	3	1,785	2
PS19-6U	6	3,381	2
PP19-1U	1	0,609	2
PP19-2U	2	1,008	2
PP19-3U	3	1,407	2
PP19-6U	6	2,646	2

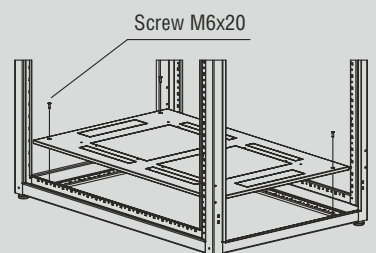
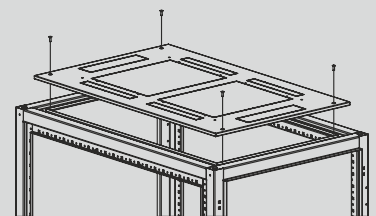
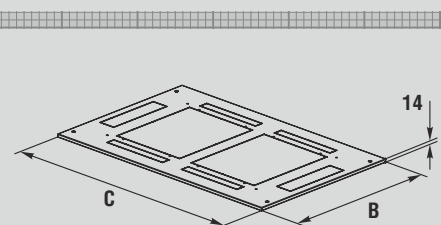
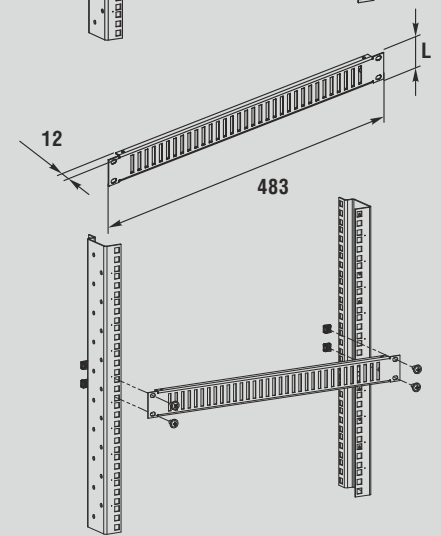
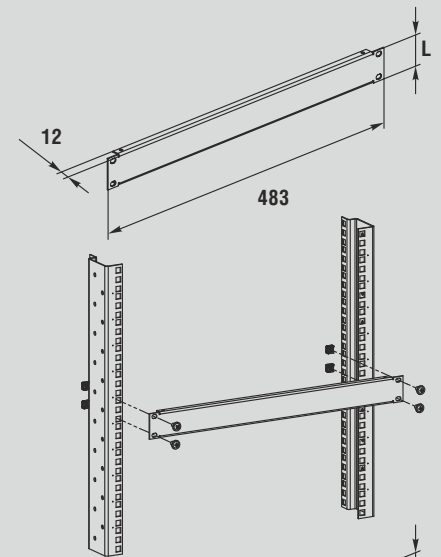
## Universal panel for fans set XL-PUBV



Order No.	Dimensions (enclosure)		Dimensions (panel)		Weight, kg	Packaging unit, piece
	Width, mm	Depth, mm	B, mm	C, mm		
XL-PUBV66	600	600	496	496	2,31	1
XL-PUBV68	600	800	496	696	3,36	1
XL-PUBV610	600	1000	496	896	4,05	1
XL-PUBV612	600	1200	496	1096	4,90	1
XL-PUBV88	800	800	696	696	4,35	1
XL-PUBV810	800	1000	696	896	5,57	1
XL-PUBV812	800	1200	696	1096	6,71	1

### Technical characteristics

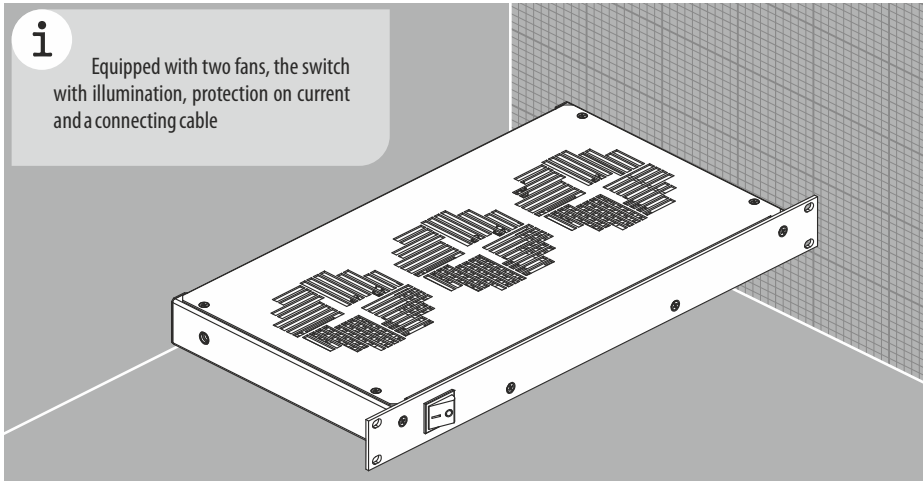
**Material:** steel  
**Surface:** powder-coated RAL 7035  
**Supply includes:** panel for the fan block + installation kit, packaging



## Hinged fans set BV-19

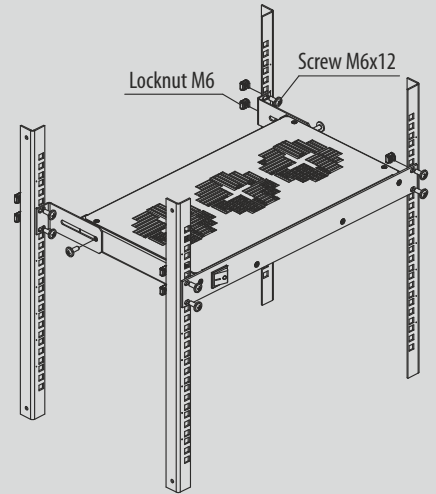
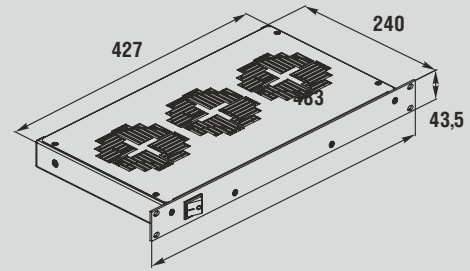


Equipped with two fans, the switch with illumination, protection on current and a connecting cable

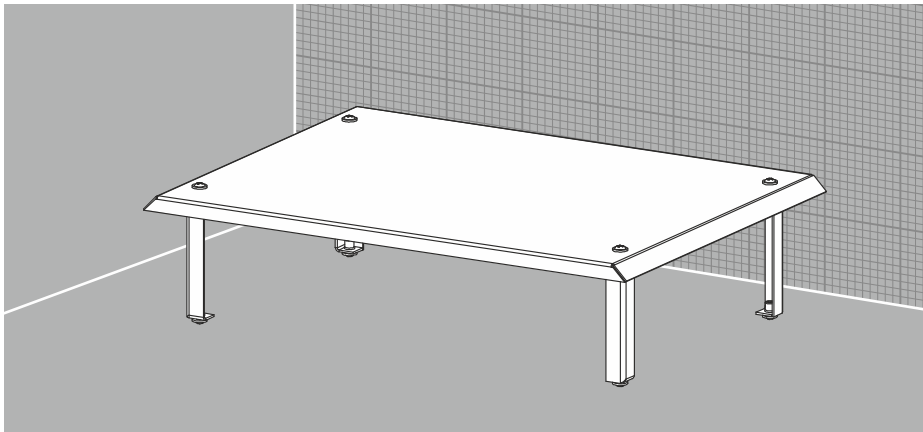


### Technical characteristics

- Protection degree:** IP20
- Material:** steel
- Surface:** powder-coated RAL 7035
- Supply includes:** fan block, installation kit, packaging
- Temperature range:** from -10°C to +50°C
- Working voltage:** 230/50V/Hz



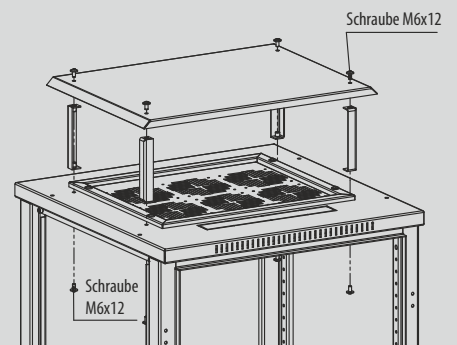
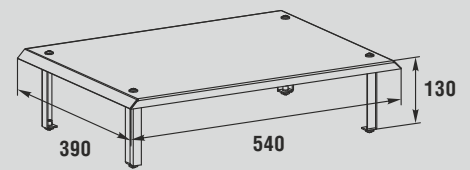
## Protection for fans block ZB



### Technical characteristics

- Material:** sheet steel
- Surface:** powder-coated RAL 7035
- Supply includes:** protection for the fan block, installation kit, packaging

Order No.	Weight, kg	Packaging unit, piece
ZB	3,2	1

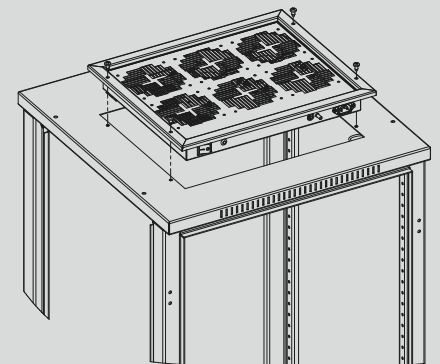
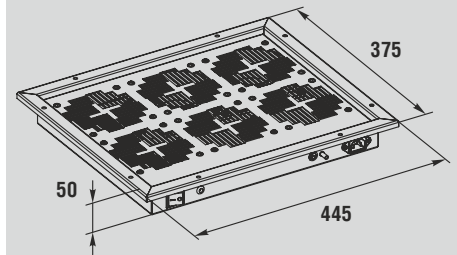
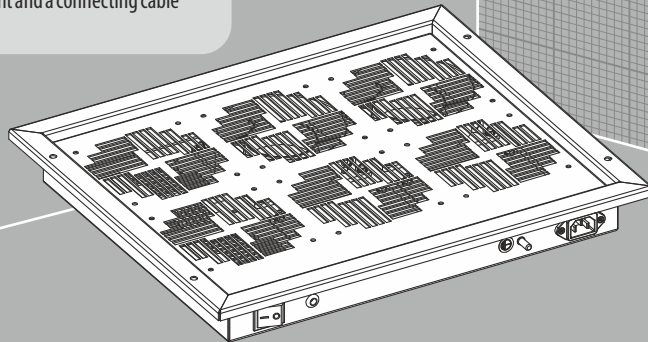




## Fans set BV

**i**

Is suitable for installation on the top part of an enclosure. Equipped with two, four or six fans, the switch with illumination, protection on current and a connecting cable



### Technical characteristics

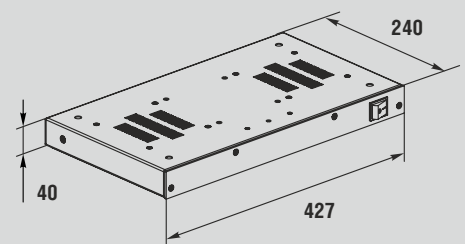
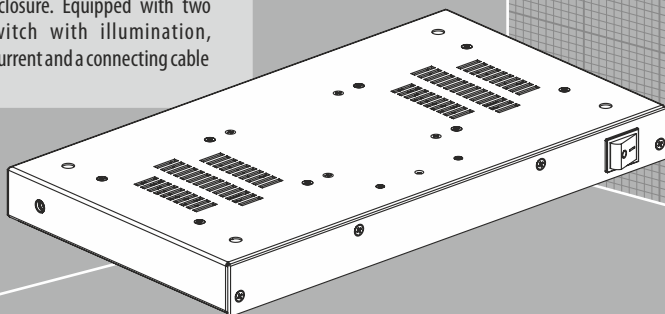
<b>Protection degree:</b>	IP20
<b>Material:</b>	steel
<b>Surface:</b>	powder-coated RAL 7035
<b>Supply includes:</b>	fan block, installation kit, packaging
<b>Temperature range:</b>	from -10°C to +50°C
<b>Working voltage:</b>	230/50V/Hz

Order No.	Free Blowing m <sup>3</sup> /h	Number (fan), piece	Macht, W	I <sub>n</sub> , mA
<b>BV-2</b>	330	2	44	320
<b>BV-4</b>	660	4	66	640
<b>BV-6</b>	990	6	88	960
<b>BVN-2</b>	330	2	44	320
<b>BV19-2</b>	330	2	44	320
<b>BV19-3</b>	495	3	66	480

## Fans set BVN

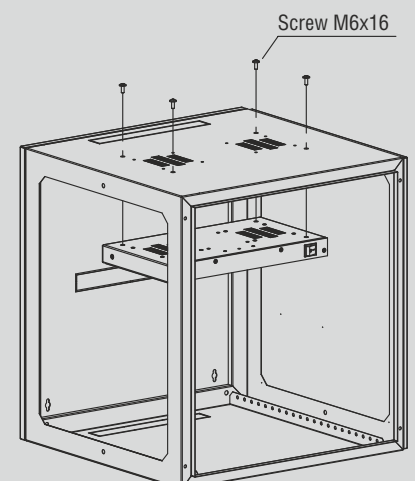
**i**

Is suitable for installation on the top part of an enclosure. Equipped with two fans, the switch with illumination, protection on current and a connecting cable



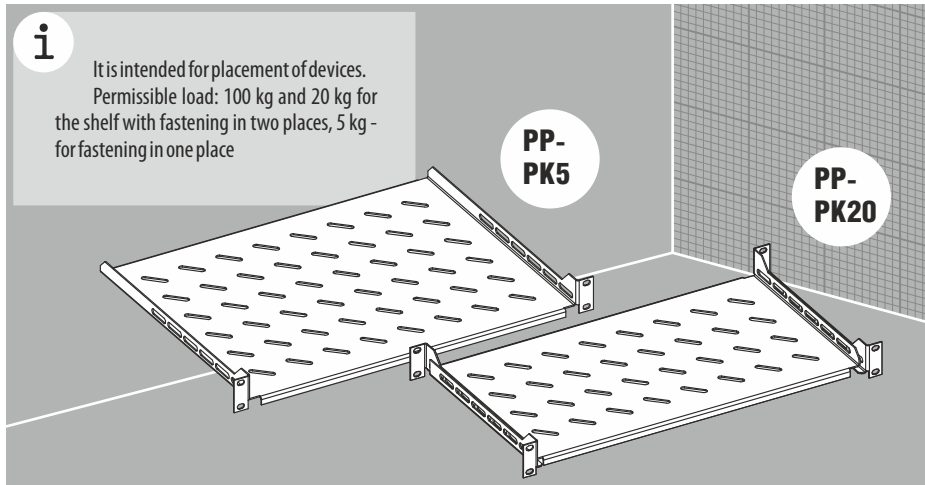
### Technical characteristics

<b>Protection degree:</b>	IP20
<b>Material:</b>	steel
<b>Surface:</b>	powder-coated RAL 7035
<b>Supply includes:</b>	fan block, installation kit, packaging
<b>Temperature range:</b>	from -10°C to +50°C
<b>Working voltage:</b>	230/50V/Hz





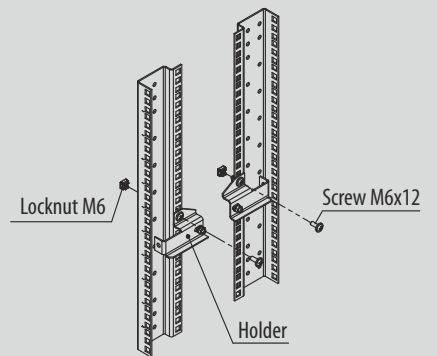
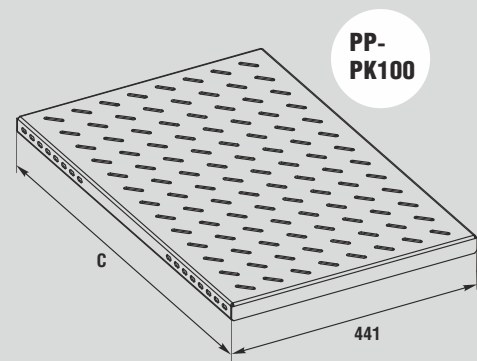
## Shelves PP-PK



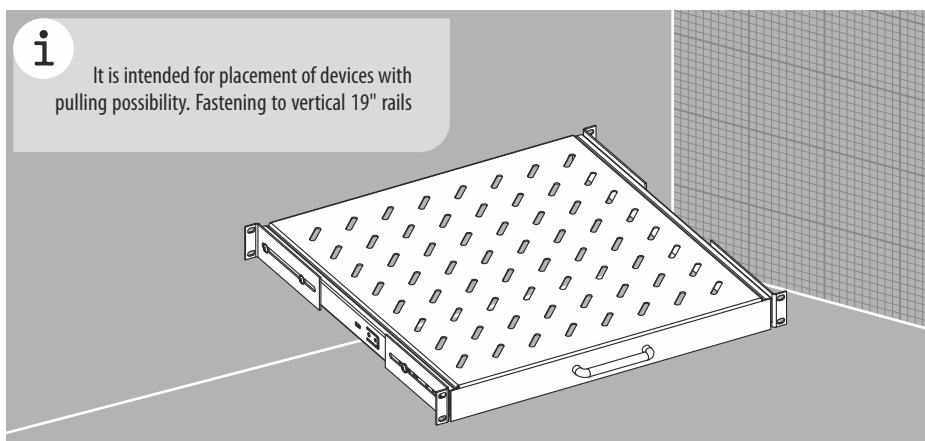
### Technical characteristics

**Material:** sheet steel  
**Surface:** powder-coated RAL 7035  
**Supply includes:** shelf + mounting set, package

Order No.	Shelfs depth C, mm	Loading, kg	Weight, kg	Packaging unit, piece
PP-PK5-2	250	5	1,49	1
PP-PK5-3	350	5	2,04	1
PP-PK5-4	450	5	2,58	1
PP-PK5-5	550	5	3,10	1
PP-PK20-2	250	20	1,66	1
PP-PK20-3	350	20	2,19	1
PP-PK20-4	450	20	2,73	1
PP-PK100-4	274	100	2,94	1
PP-PK100-6	474	100	4,52	1
PP-PK100-8	674	100	5,99	1
PP-PK100-10	874	100	7,56	1



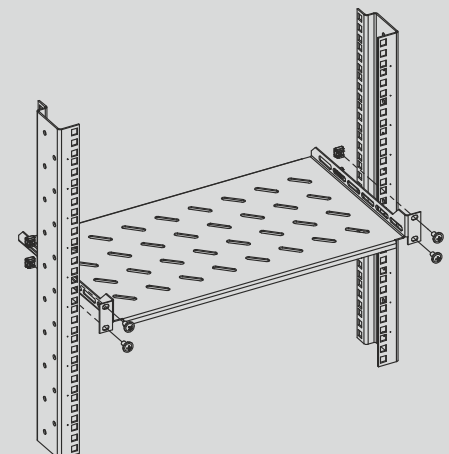
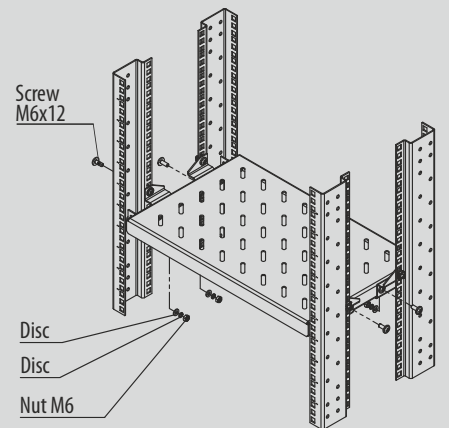
## Shelves PV-PK



### Technical characteristics

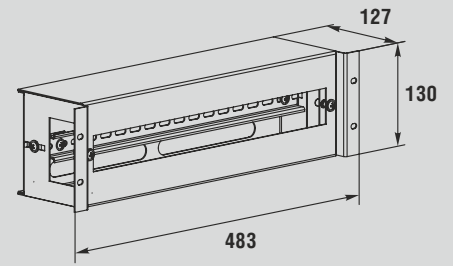
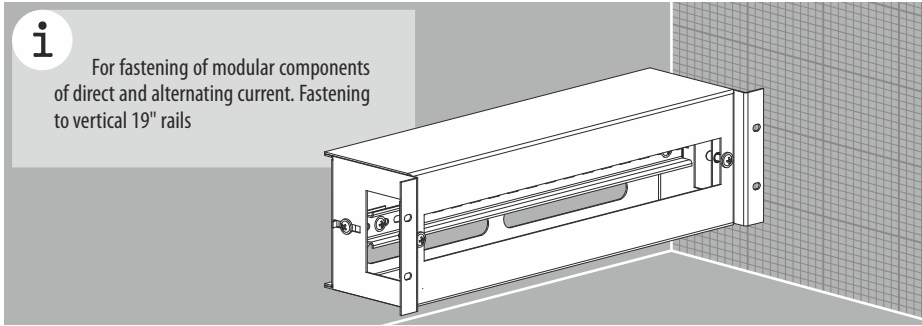
**Material:** sheet steel  
**Surface:** powder-coated RAL 7035  
**Supply includes:** shelf + mounting set, package

Order No.	Shelfs depth C, mm	Loading, kg	Weight, kg	Packaging unit, piece
PV-PK30-4	450	30	5,32	1
PV-PK30-6	650	30	6,77	1





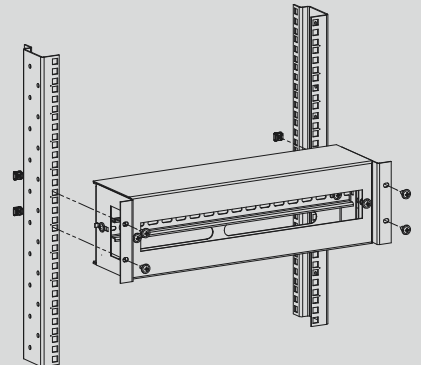
## Distribution box KR



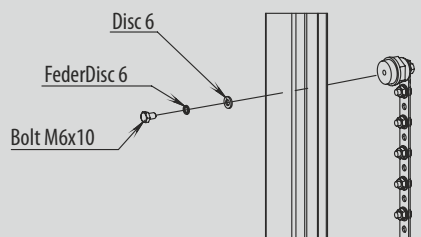
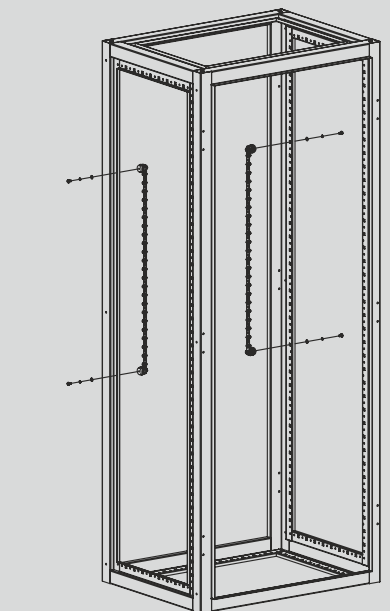
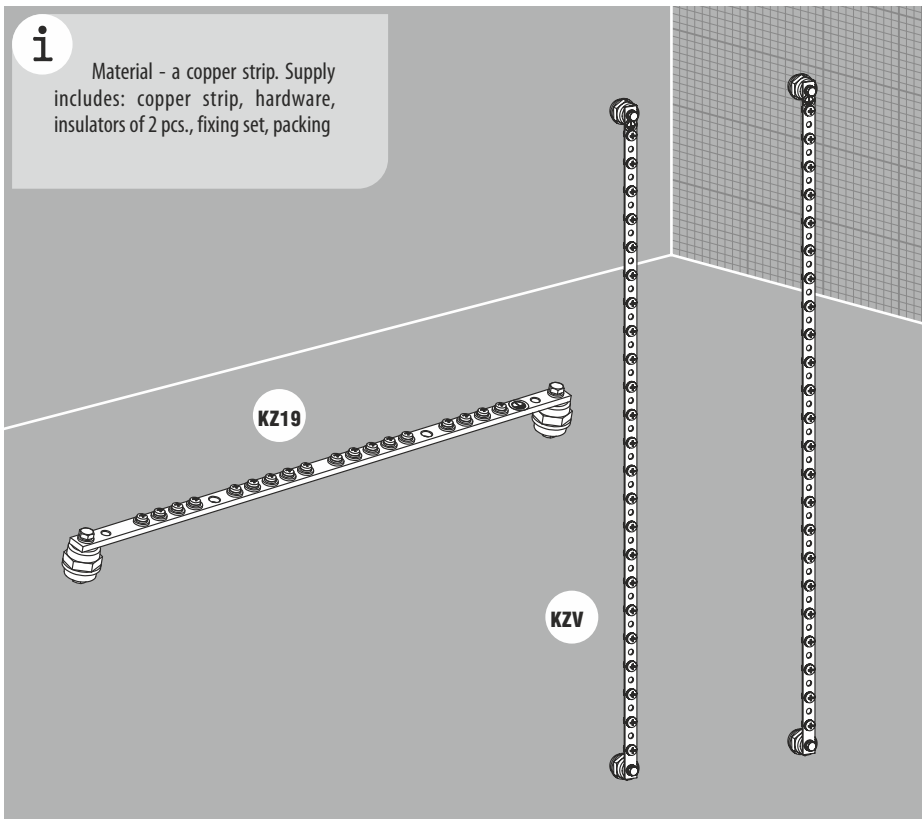
### Technical characteristics

**Material:** steel  
**Surface:** powder-coated RAL 7035  
**Supply includes:** distribution box, DIN rail + installation kit, packaging

Order No.	Montage-Height, HE	Number (modules)	Packaging Unit, piece
KR	3	18	1



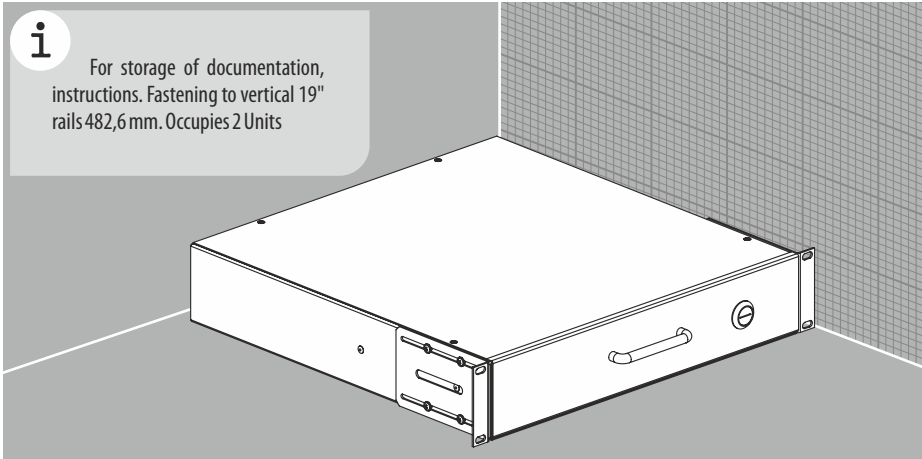
## Grounding KZ19, KZV



Order No.	Number (connection)	Packaging Unit, piece
KZ19	18	1
KZV	90	2



## Document box YA19

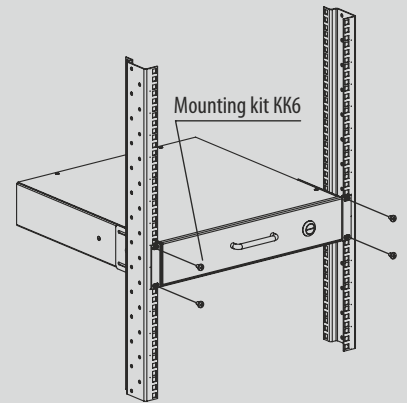
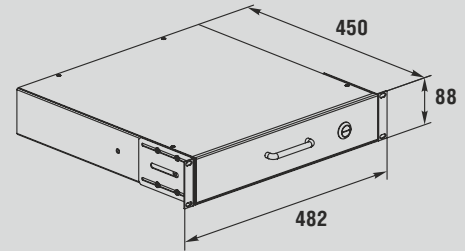


**i** For storage of documentation, instructions. Fastening to vertical 19" rails 482,6 mm. Occupies 2 Units

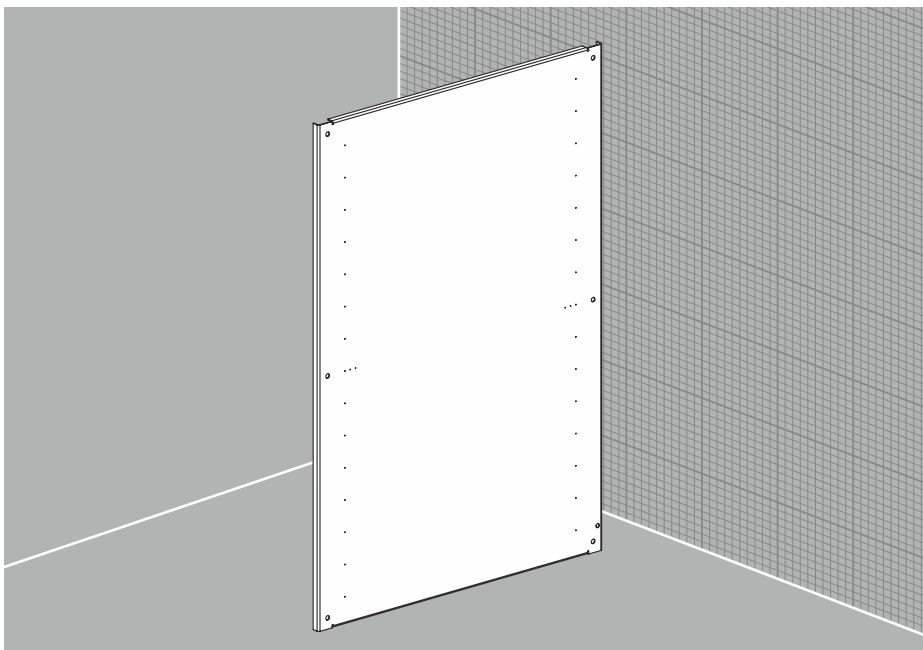
### Technical characteristics

**Material:** sheet steel  
**Surface:** powder-coated RAL 7035  
**Supply includes:** documents box+ Installation set, packaging

Order No.	Montage-Height, HE	Weight, kg	Packaging Unit, piece
<b>YA19</b>	2	7,85	1



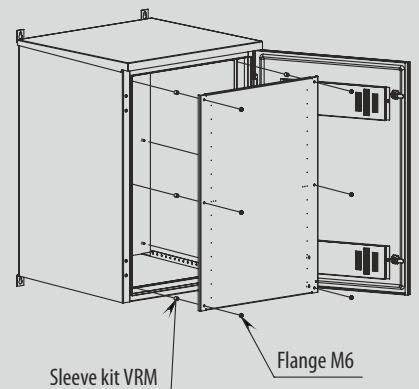
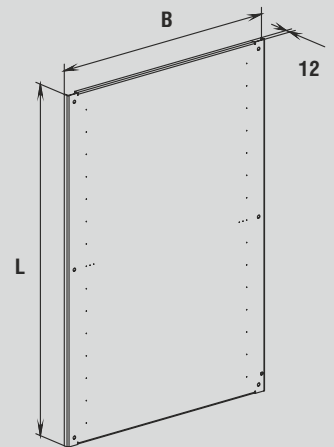
## Mounting plate X-PM



### Technical characteristics

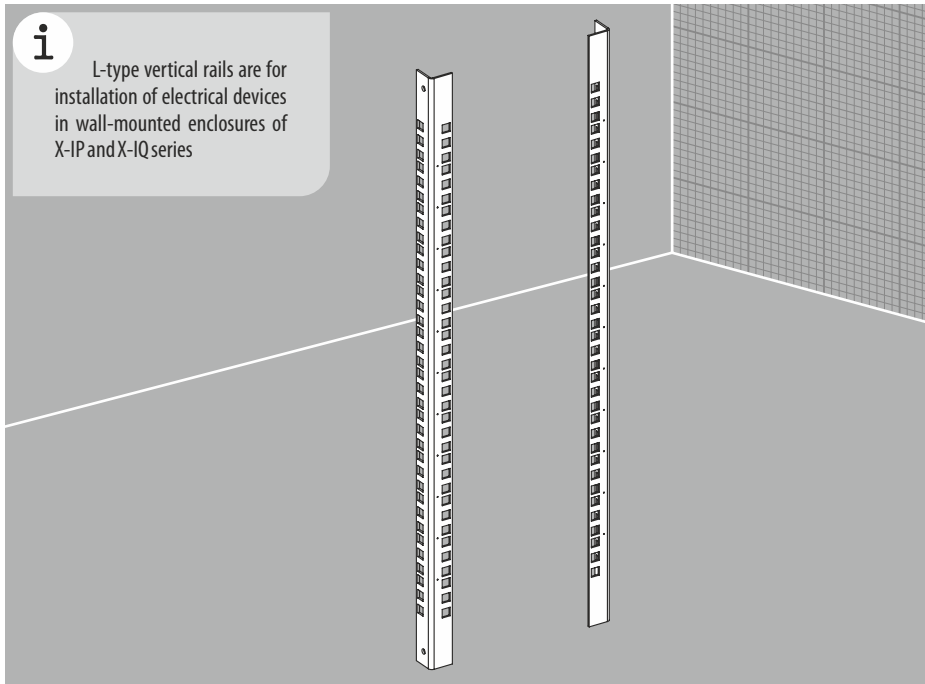
**Material:** sheet steel  
**Surface:** zinc-plated  
**Supply includes:** mounting plate + mounting set, package

Order No.	Dimensions (enclosure)			Dimensions (plate)	
	Montage-Height, HE	Height, mm	Width, mm	L, mm	B, mm
<b>X-PM6U</b>	6	350	600	285	535
<b>X-PM9U</b>	9	500	600	435	535
<b>X-PM12U</b>	12	650	600	585	535
<b>X-PM15U</b>	15	750	600	685	535
<b>X-PM18U</b>	18	850	600	785	535





## Corner X-U19

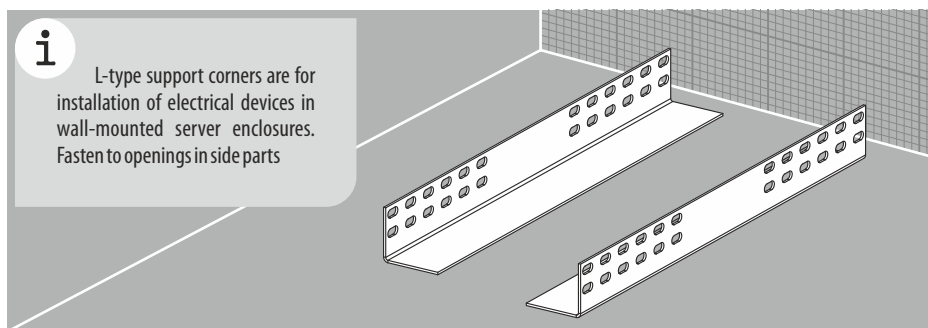


### Technical characteristics

**Material:** sheet steel  
**Surface:** zinc-plated  
**Supply includes:** corner, 2 pcs.  
 + mounting set, package

Order No.	Montage-Height, HE	Weight, kg	Packaging Unit, piece
U19-4U	4	0,28	2
U19-6U	6	0,40	2
U19-9U	9	0,56	2
U19-12U	12	0,74	2
U19-15U	15	0,84	2
U19-18U	18	0,94	2

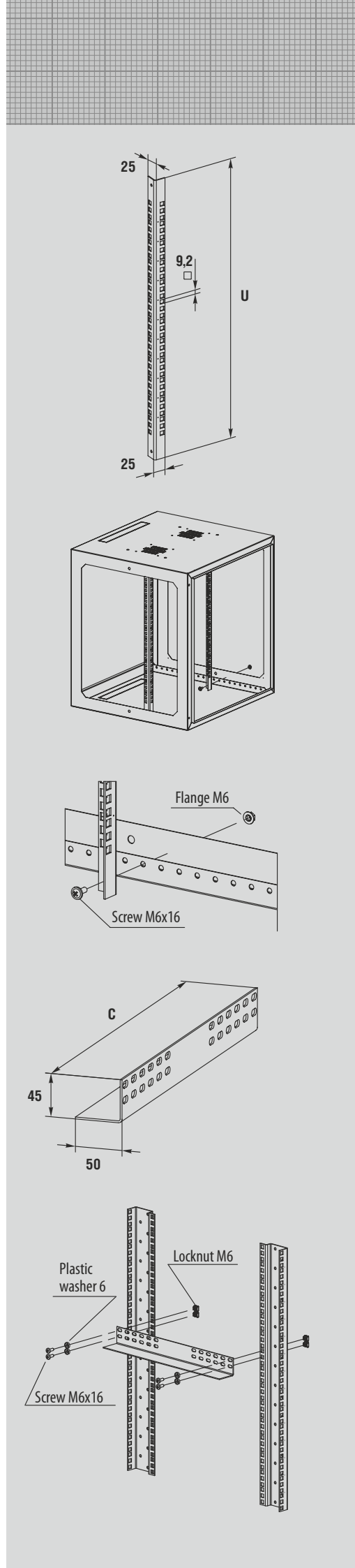
## Support corner U0



### Technical characteristics

**Material:** sheet steel  
**Surface:** zinc-plated  
**Supply includes:** corner, 2 pcs.  
 + mounting set, package

Order No.	Length (rail) C, mm	Weight, kg	Packaging Unit, piece
U0-4	400	1,08	2
U0-6	600	1,66	2
U0-8	800	2,24	2
U0-10	1000	2,80	2
U0-12	1200	3,40	2



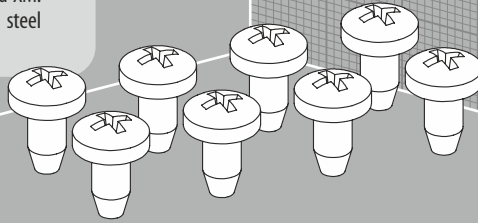




## Screws SV6

**i**

For fastening of panels, vertical and horizontal rails in enclosures XL and XM. M6x12 mm, material – galvanized steel

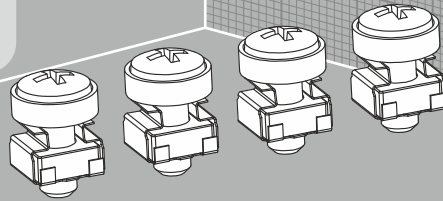


Order No.	Packaging Unit, piece
<b>SV6</b>	100

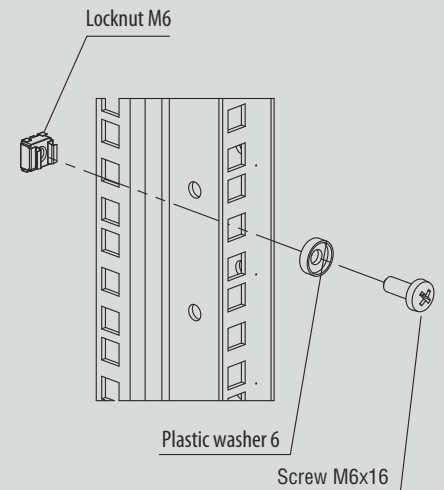
## Fixing set KK6

**i**

For fastening of modular devices. M6x12 mm, material – galvanized steel. Supply includes: screw, plastic washer, mortgage nut



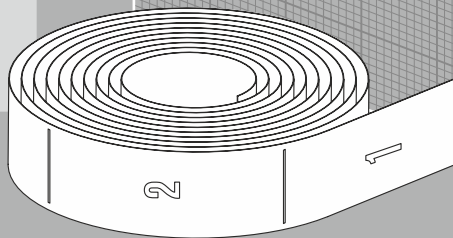
Order No.	Packaging Unit, piece
<b>KK6</b>	100



## Tape measure MKL-46U

**i**

Measured tape, simple in use. With digital marking for installation height. Tape height is 46U



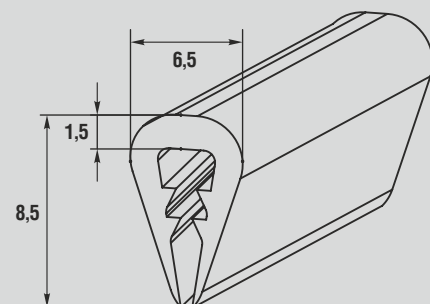
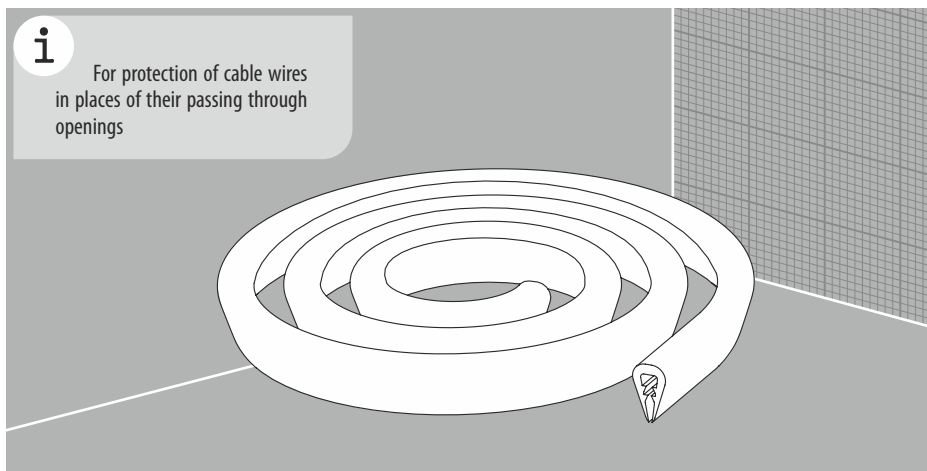
Order No.	Packaging Unit, piece
<b>MKL-46U</b>	2



## Edge protection ZK

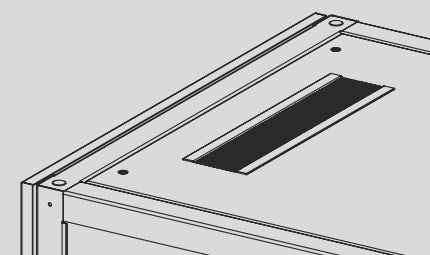
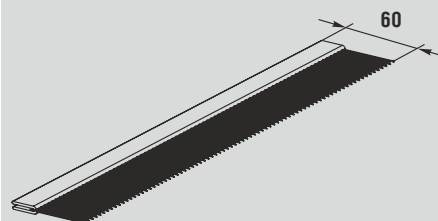
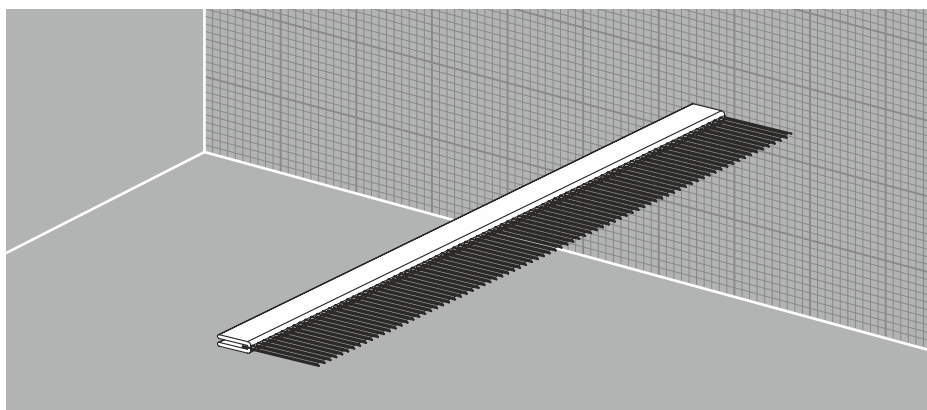


For protection of cable wires in places of their passing through openings



Order No.	Packaging Unit, mm
ZK	750

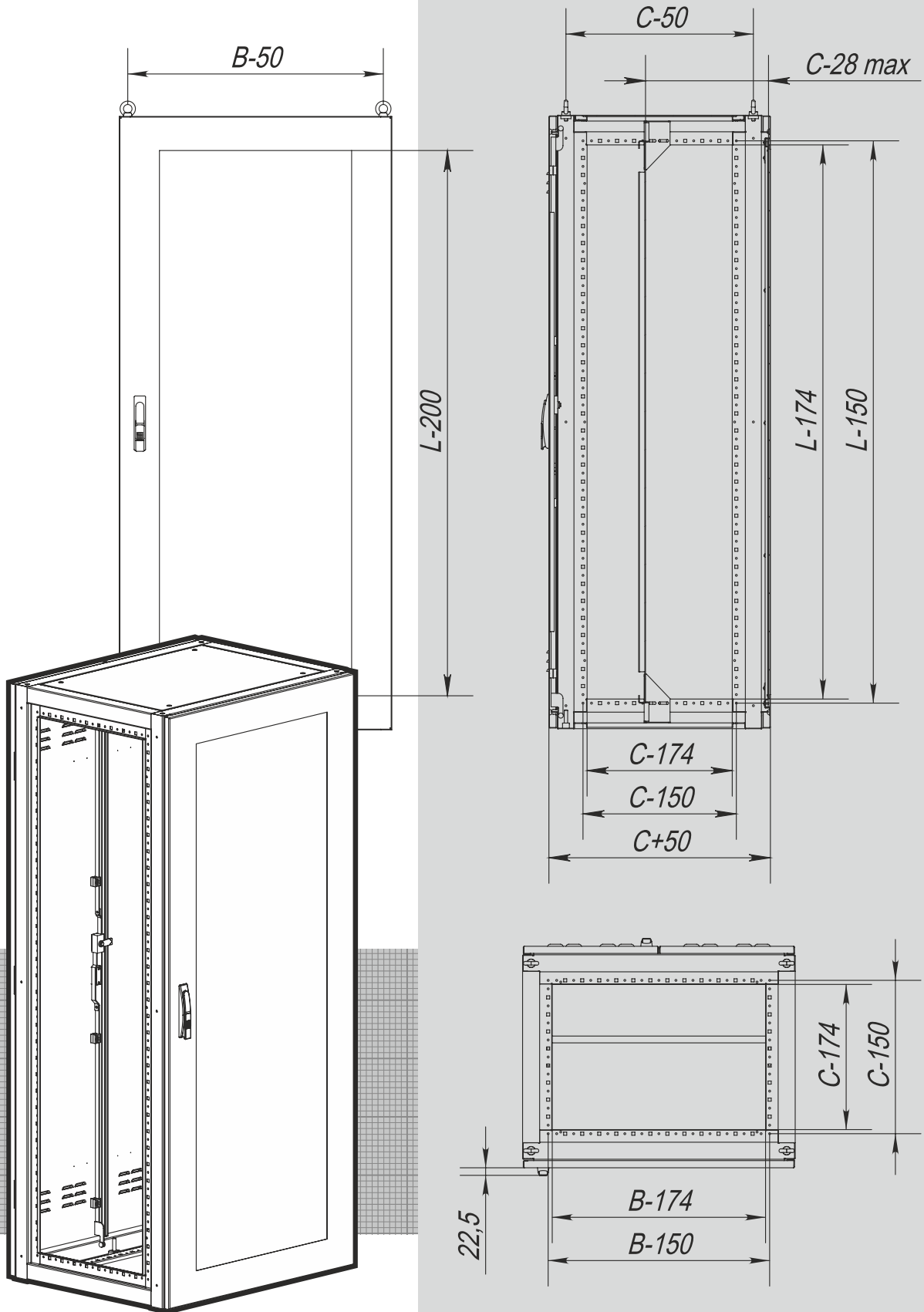
## Brushed cable entry KV

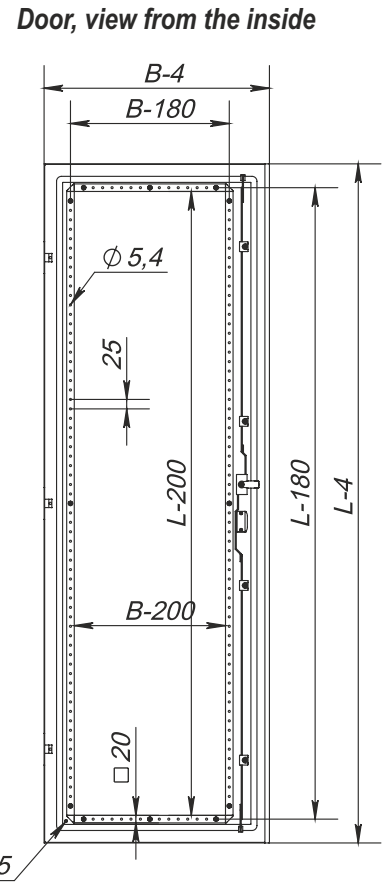
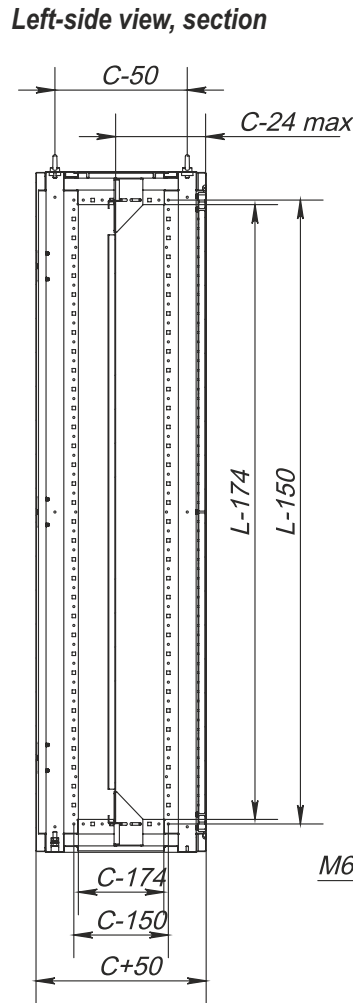
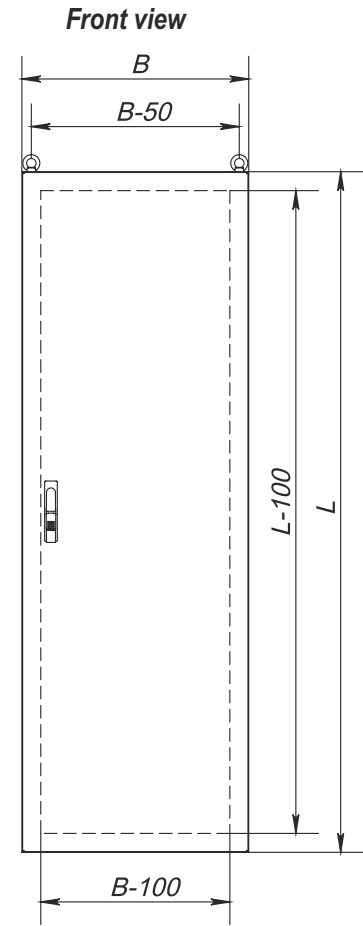


Order No.	Length, mm	Packaging Unit, piece
KV	2000	1

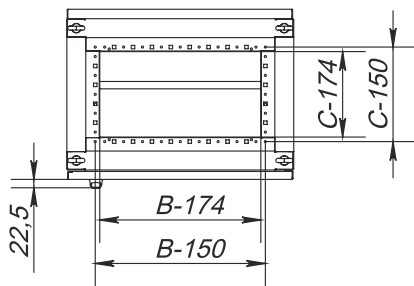


**DRAWINGS**

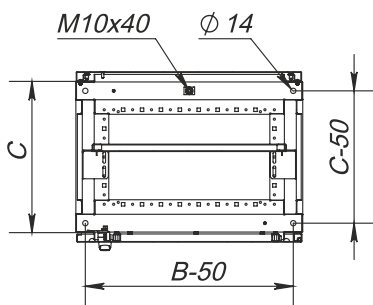




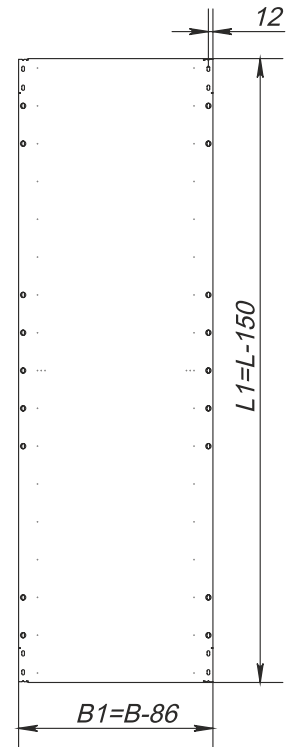
**Top view (without the top panel)**



**Top view, section**

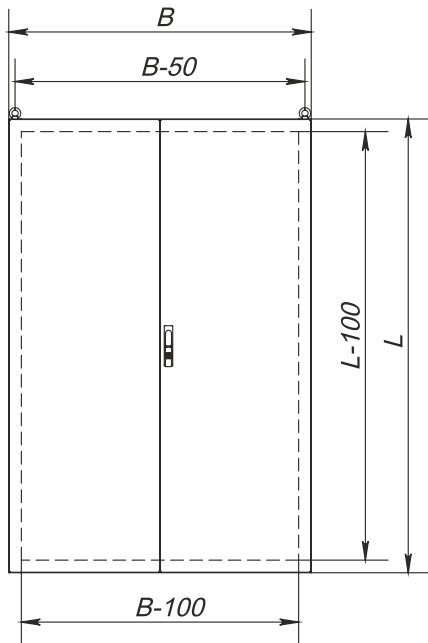


**Mounting plate**

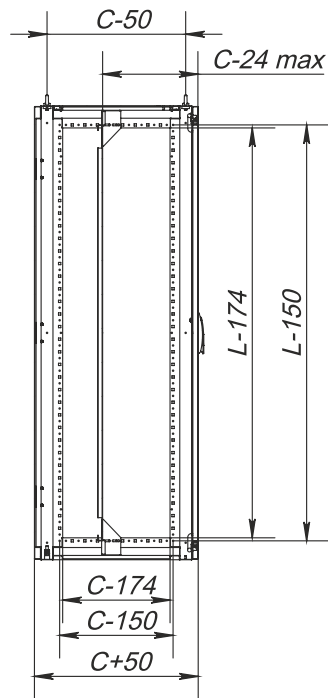


Dimensions (Enclosure)			Dimensions (Mounting plate)		Useful Depth, mm	Weight, kg	Order No.	
Height L, mm	Width B, mm	Depth C, mm	Height L1, mm	Width B1, mm				
1400	600	400	1250	514	376	55	<b>XL55-1464</b>	<b>XLS55-1464</b>
1400	600	600	1250	514	576	62	<b>XL55-1466</b>	<b>XLS55-1466</b>
1400	800	400	1250	714	376	65	<b>XL55-1484</b>	<b>XLS55-1484</b>
1400	800	600	1250	714	576	70	<b>XL55-1486</b>	<b>XLS55-1486</b>
1600	600	400	1450	514	376	62	<b>XL55-1664</b>	<b>XLS55-1664</b>
1600	600	600	1450	514	576	70	<b>XL55-1666</b>	<b>XLS55-1666</b>
1600	800	400	1450	714	376	74	<b>XL55-1684</b>	<b>XLS55-1684</b>
1600	800	600	1450	714	576	80	<b>XL55-1686</b>	<b>XLS55-1686</b>
1800	600	400	1650	514	376	67	<b>XL55-1864</b>	<b>XLS55-1864</b>
1800	600	600	1650	514	576	72	<b>XL55-1866</b>	<b>XLS55-1866</b>
1800	800	400	1650	714	376	80	<b>XL55-1884</b>	<b>XLS55-1884</b>
1800	800	600	1650	714	576	85	<b>XL55-1886</b>	<b>XLS55-1886</b>
1800	800	800	1650	714	776	90	<b>XL55-1888</b>	-
2000	400	400	1850	314	376	60	<b>XL55-2044</b>	-
2000	400	600	1850	314	576	64	<b>XL55-2046</b>	-
2000	600	400	1850	514	376	72	<b>XL55-2064</b>	<b>XLS55-2064</b>
2000	600	600	1850	514	576	77	<b>XL55-2066</b>	<b>XLS55-2066</b>
2000	600	800	1850	514	776	82	<b>XL55-2068</b>	-
2000	800	400	1850	714	376	87	<b>XL55-2084</b>	<b>XLS55-2084</b>
2000	800	600	1850	714	576	92	<b>XL55-2086</b>	<b>XLS55-2086</b>
2000	800	800	1850	714	776	97	<b>XL55-2088</b>	-
2200	600	400	2050	514	376	78	<b>XL55-2264</b>	-
2200	600	600	2050	514	576	83	<b>XL55-2266</b>	-
2200	800	400	2050	714	376	93	<b>XL55-2284</b>	-
2200	800	600	2050	714	576	98	<b>XL55-2286</b>	-
2200	800	800	2050	714	776	104	<b>XL55-2288</b>	-

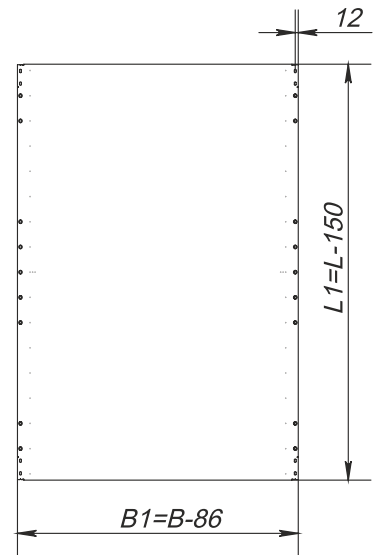
Front view



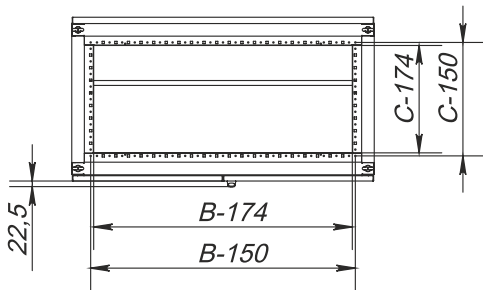
Left-side view, section



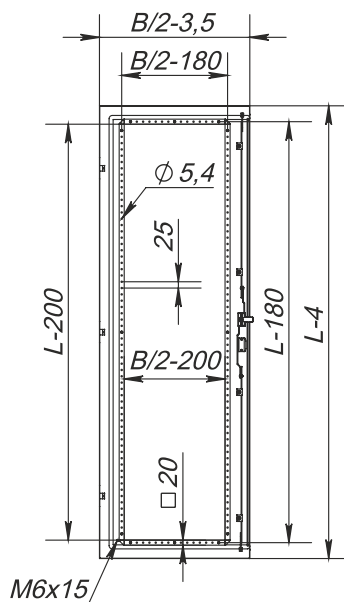
Mounting plate



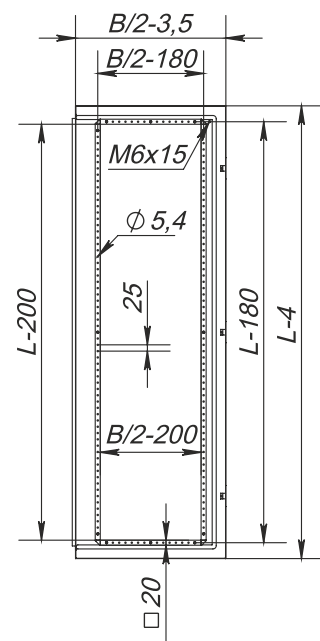
Top view (without the top panel)



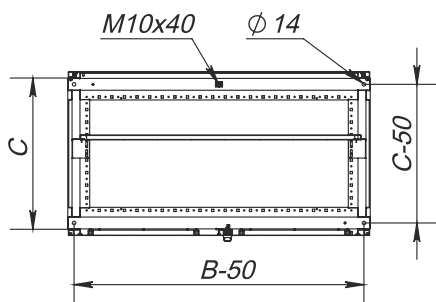
Right Door, view from the inside



Left Door, view from the inside

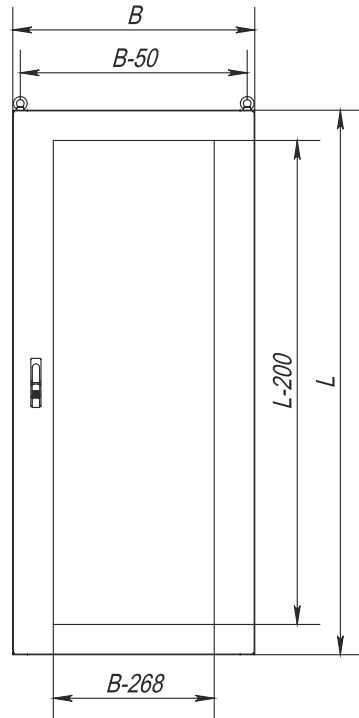


Top view, section

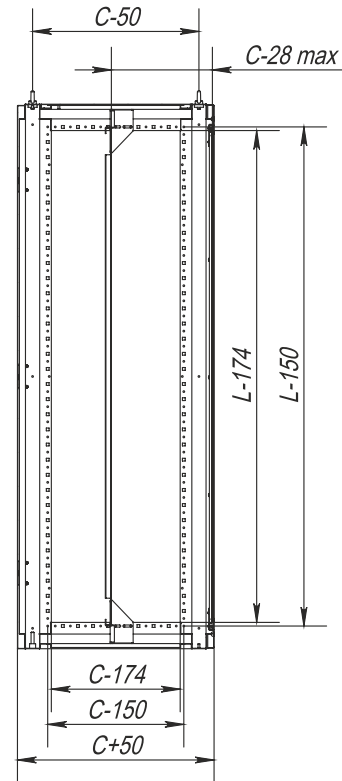


Dimensions (Enclosure)			Dimensions (Mounting plate)		Useful Depth, mm	Weight, kg	Order No.	
Height L, mm	Width B, mm	Depth C, mm	Height L1, mm	Width B1, mm				
1800	1000	400	1650	914	376	82	<b>XLD55-18104</b>	-
1800	1000	600	1650	914	576	87	<b>XLD55-18106</b>	-
1800	1000	800	1650	914	776	91	<b>XLD55-18108</b>	-
1800	1200	400	1650	1114	376	93	<b>XLD55-18124</b>	-
1800	1200	600	1650	1114	576	98	<b>XLD55-18126</b>	-
1800	1200	800	1650	1114	776	103	<b>XLD55-18128</b>	-
2000	1000	400	1850	914	376	90	<b>XLD55-20104</b>	<b>XLDS55-20104</b>
2000	1000	600	1850	914	576	94	<b>XLD55-20106</b>	<b>XLDS55-20106</b>
2000	1000	800	1850	914	776	98	<b>XLD55-20108</b>	-
2000	1200	400	1850	1114	376	101	<b>XLD55-20124</b>	<b>XLDS55-20124</b>
2000	1200	600	1850	1114	576	106	<b>XLD55-20126</b>	<b>XLDS55-20126</b>
2000	1200	800	1850	1114	776	111	<b>XLD55-20128</b>	-
2200	1000	400	2050	914	376	97	<b>XLD55-22104</b>	-
2200	1000	600	2050	914	576	101	<b>XLD55-22106</b>	-
2200	1000	800	2050	914	776	106	<b>XLD55-22108</b>	-
2200	1200	400	2050	1114	376	109	<b>XLD55-22124</b>	-
2200	1200	600	2050	1114	576	114	<b>XLD55-22126</b>	-
2200	1200	800	2050	1114	776	118	<b>XLD55-22128</b>	-

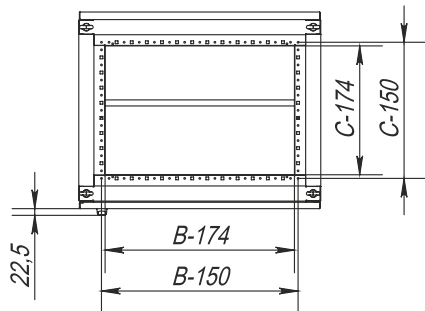
**Front view**



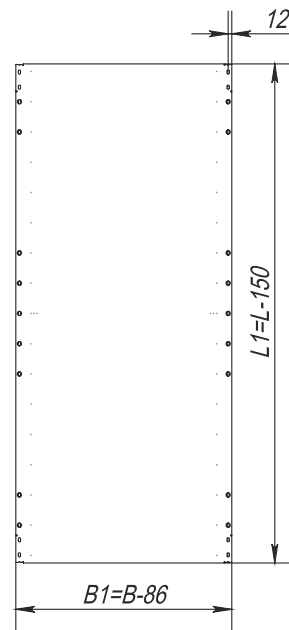
**Left-side view, section**



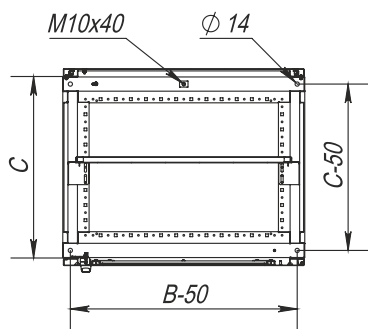
**Top view  
(without the top panel)**



**Mounting plate**



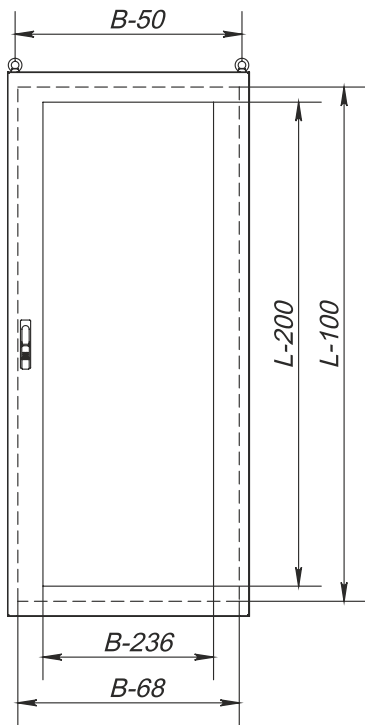
**Top view, section**



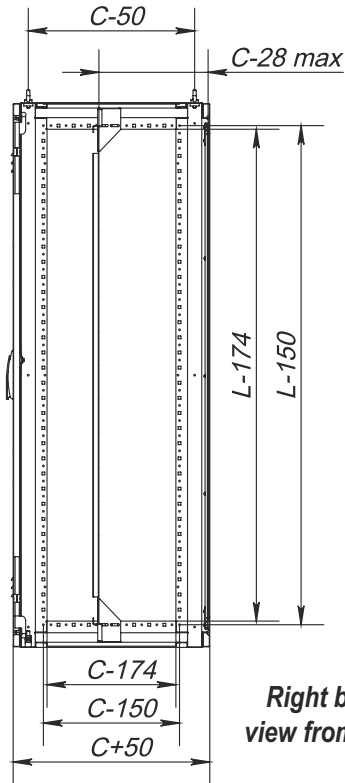


Dimensions (Enclosure)			Dimensions (Mounting plate)		Useful Depth, mm	Weight, kg	Order No.
Height L, mm	Width B, mm	Depth C, mm	Height L1, mm	Width B1, mm			
1400	800	600	1250	714	572	78	<b>XLV55-1486</b>
1600	800	600	1450	714	572	89	<b>XLV55-1686</b>
1800	800	600	1650	714	572	100	<b>XLV55-1886</b>
1800	800	800	1650	714	772	106	<b>XLV55-1888</b>
1800	1000	600	1650	914	572	109	<b>XLV55-18106</b>
1800	1000	800	1650	914	772	114	<b>XLV55-18108</b>
1800	1200	600	1650	1114	572	121	<b>XLV55-18126</b>
1800	1200	800	1650	1114	772	123	<b>XLV55-18128</b>
2000	800	600	1850	714	572	111	<b>XLV55-2086</b>
2000	800	800	1850	714	772	116	<b>XLV55-2088</b>
2000	1000	600	1850	914	572	121	<b>XLV55-20106</b>
2000	1000	800	1850	914	772	126	<b>XLV55-20108</b>
2000	1200	400	1850	1114	372	130	<b>XLV55-20124</b>
2000	1200	600	1850	1114	572	133	<b>XLV55-20126</b>
2000	1200	800	1850	1114	772	136	<b>XLV55-20128</b>
2200	800	600	2050	714	572	122	<b>XLV55-2286</b>
2200	800	800	2050	714	772	128	<b>XLV55-2288</b>
2200	1000	600	2050	914	572	133	<b>XLV55-22106</b>
2200	1000	800	2050	914	772	139	<b>XLV55-22108</b>
2200	1200	600	2050	1114	572	147	<b>XLV55-22126</b>
2200	1200	800	2050	1114	772	150	<b>XLV55-22128</b>

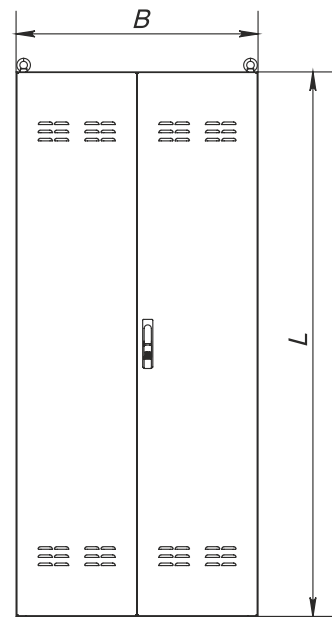
**Front view**



**Left-side view, section**

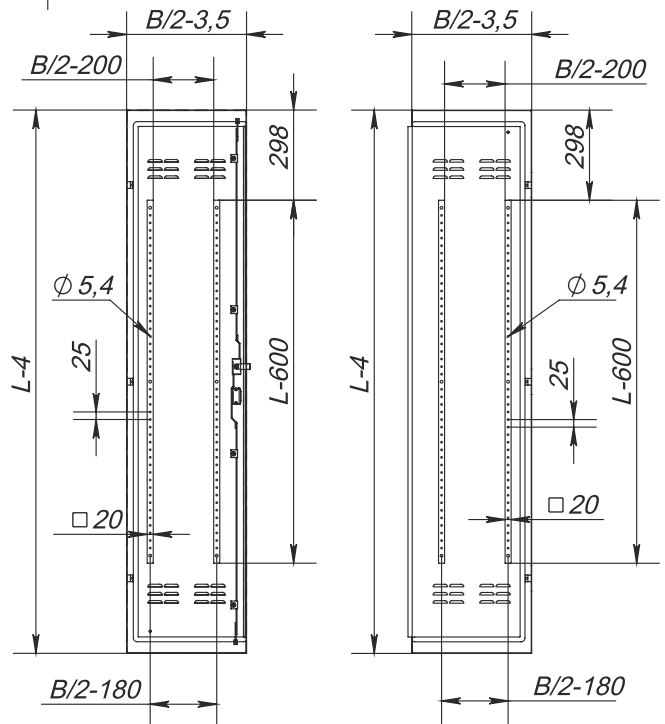


**Back view**

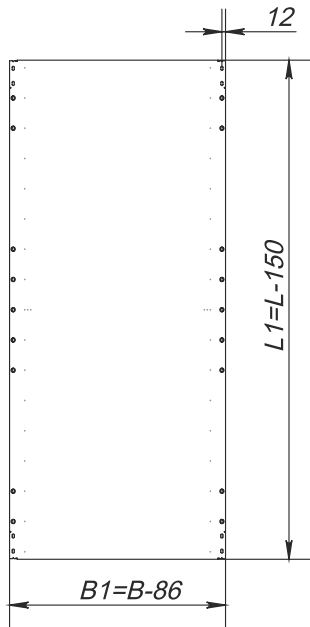


**Right back door, view from the inside**

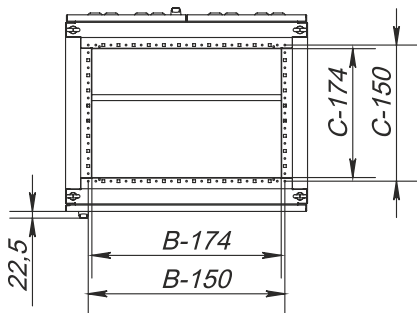
**Left back door, view from the inside**



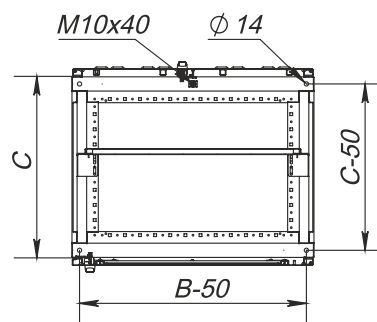
**Mounting plate**



**Top view (without the top panel)**

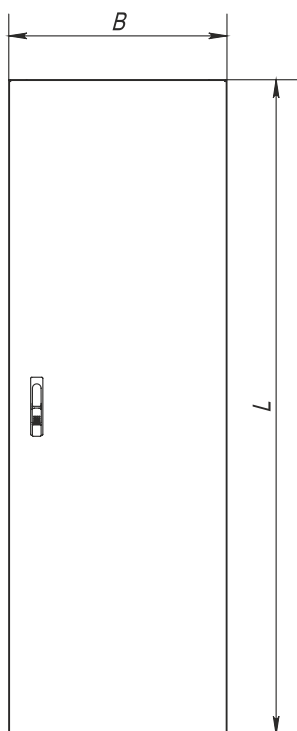


**Top view, section**

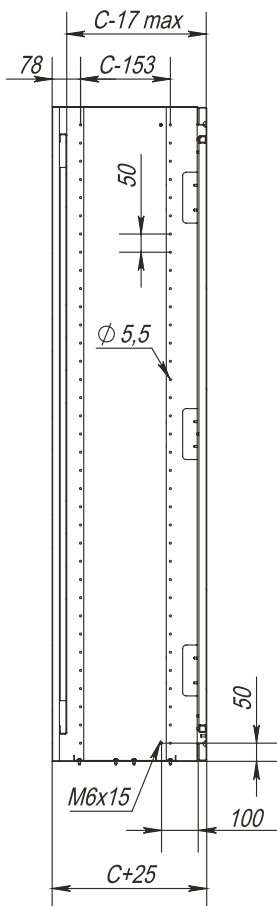


Dimensions (Enclosure)			Dimensions (Mounting plate)		Useful Depth, mm	Weight, kg	Order No.
Height L, mm	Width B, mm	Depth C, mm	Height L1, mm	Width B1, mm			
1400	800	600	1250	714	572	78	<b>XLA55-1486</b>
1600	800	600	1450	714	572	89	<b>XLA55-1686</b>
1800	800	600	1650	714	572	100	<b>XLA55-1886</b>
1800	800	800	1650	714	772	106	<b>XLA55-1888</b>
1800	1000	600	1650	914	572	109	<b>XLA55-18106</b>
1800	1000	800	1650	914	772	114	<b>XLA55-18108</b>
1800	1200	600	1650	1114	572	121	<b>XLA55-18126</b>
1800	1200	800	1650	1114	772	123	<b>XLA55-18128</b>
2000	800	600	1850	714	572	111	<b>XLA55-2086</b>
2000	800	800	1850	714	772	116	<b>XLA55-2088</b>
2000	1000	600	1850	914	572	121	<b>XLA55-20106</b>
2000	1000	800	1850	914	772	126	<b>XLA55-20108</b>
2000	1200	400	1850	1114	372	130	<b>XLA55-20124</b>
2000	1200	600	1850	1114	572	133	<b>XLA55-20126</b>
2000	1200	800	1850	1114	772	136	<b>XLA55-20128</b>
2200	800	600	2050	714	572	122	<b>XLA55-2286</b>
2200	800	800	2050	714	772	128	<b>XLA55-2288</b>
2200	1000	600	2050	914	572	133	<b>XLA55-22106</b>
2200	1000	800	2050	914	772	139	<b>XLA55-22108</b>
2200	1200	600	2050	1114	572	147	<b>XLA55-22126</b>
2200	1200	800	2050	1114	772	150	<b>XLA55-22128</b>

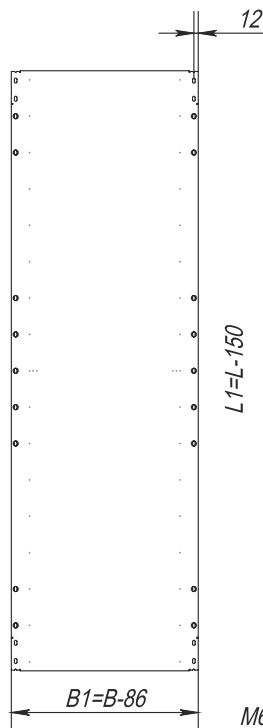
Front view



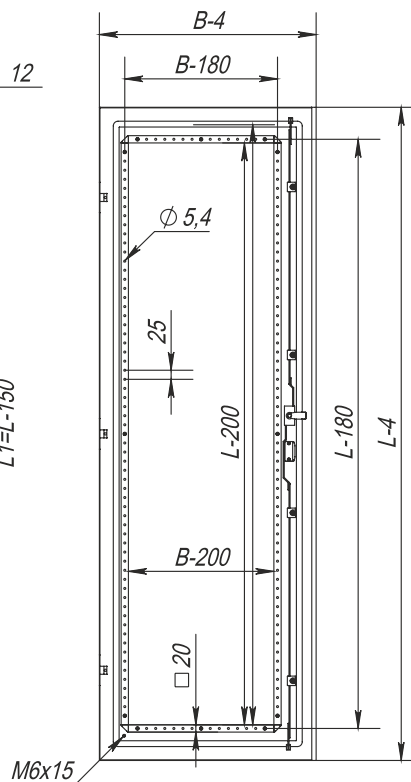
Left-side view, section



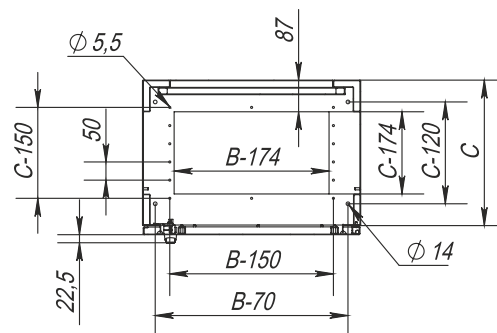
Mounting plate



Door, view from the inside

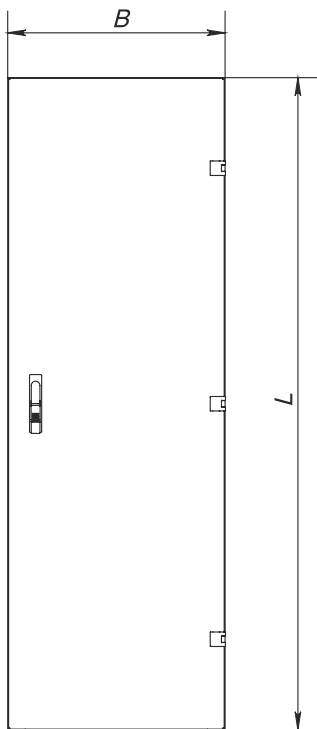


Top view, section (without the top panel)

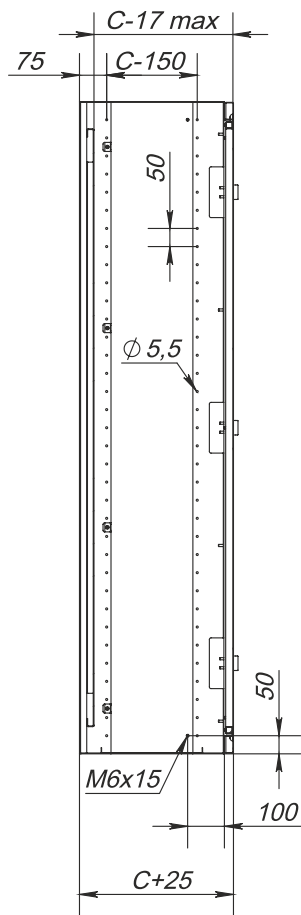


Dimensions (Enclosure)			Dimensions (Mounting plate)		Useful Depth, mm	Weight, kg	Order No.
Height L, mm	Width B, mm	Depth C, mm	Height L1, mm	Width B1, mm			
1400	600	400	1250	514	383	56	<b>XM66-1464</b>
1400	600	600	1250	514	583	66	<b>XM66-1466</b>
1400	800	400	1250	714	383	60	<b>XM66-1484</b>
1400	800	600	1250	714	583	70	<b>XM66-1486</b>
1600	600	400	1450	514	383	62	<b>XM66-1664</b>
1600	600	600	1450	514	583	72	<b>XM66-1666</b>
1600	800	400	1450	714	383	69	<b>XM66-1684</b>
1600	800	600	1450	714	583	79	<b>XM66-1686</b>
1800	600	400	1650	514	383	68	<b>XM66-1864</b>
1800	600	600	1650	514	583	78	<b>XM66-1866</b>
1800	800	400	1650	714	383	78	<b>XM66-1884</b>
1800	800	600	1650	714	583	88	<b>XM66-1886</b>
2000	600	400	1850	514	383	74	<b>XM66-2064</b>
2000	600	600	1850	514	583	84	<b>XM66-2066</b>
2000	800	400	1850	714	383	87	<b>XM66-2084</b>
2000	800	600	1850	714	583	97	<b>XM66-2086</b>

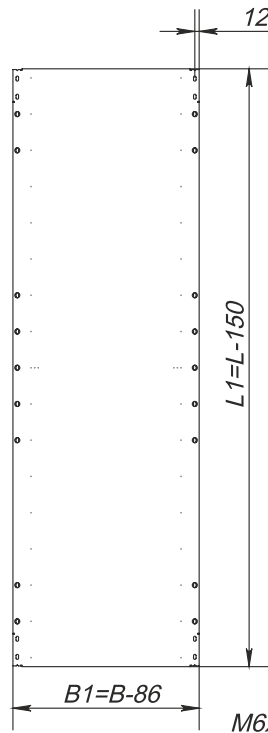
Front view



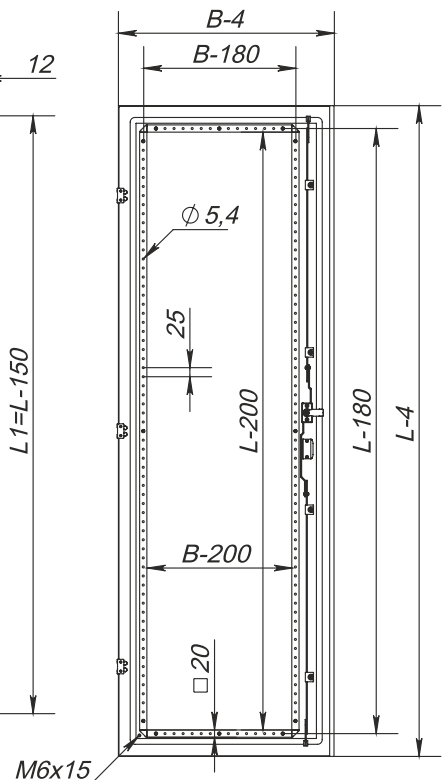
Left-side view, section



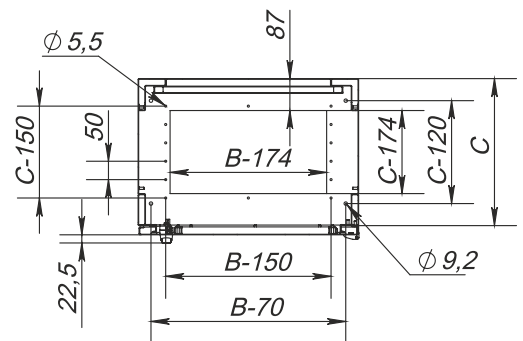
Mounting plate



Door, view from the inside

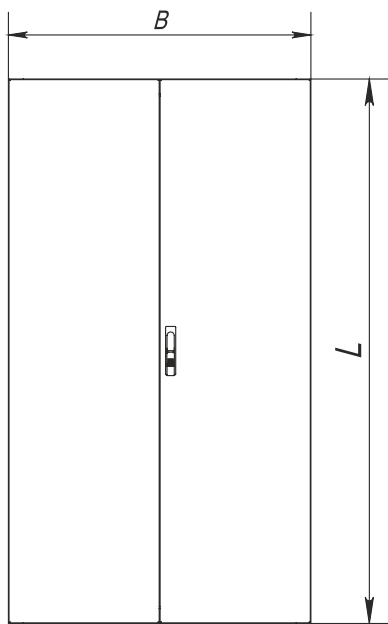


Top view, section (without the top panel)

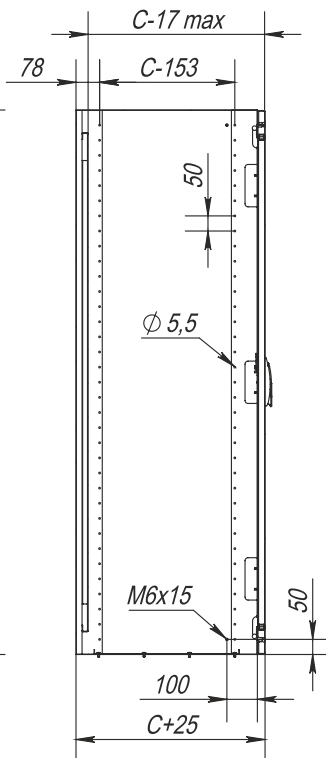


Dimensions (Enclosure)			Dimensions (Mounting plate)		Useful Depth, mm	Weight, kg	Order No.
Height L, mm	Width B, mm	Depth C, mm	Height L1, mm	Width B1, mm			
1600	600	400	1450	514	383	62	XMS66-1664
1800	600	400	1650	514	383	68	XMS66-1864
1800	800	400	1650	714	383	78	XMS66-1884
1800	1000	400	1650	914	383	90	XMS66-18104
2000	600	400	1850	514	383	74	XMS66-2064
2000	800	400	1850	714	383	87	XMS66-2084
2000	800	600	1850	714	583	97	XMS66-2086

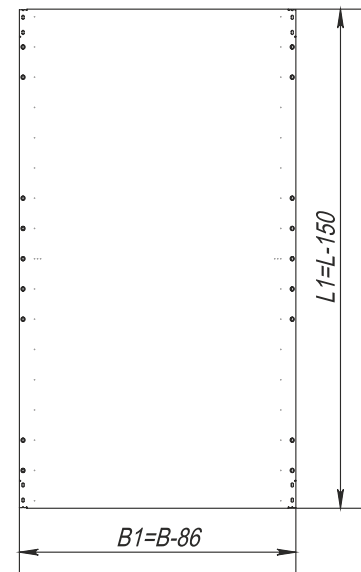
Front view



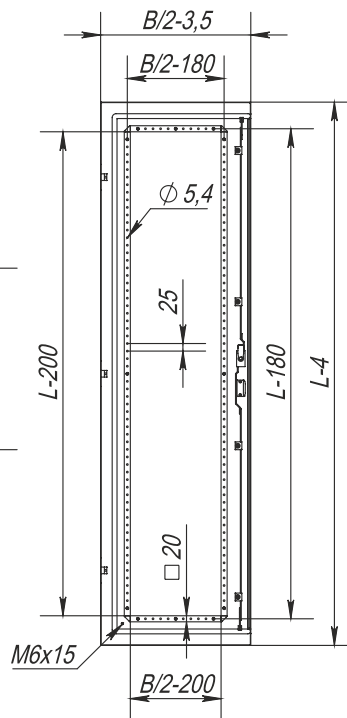
Left-side view, section



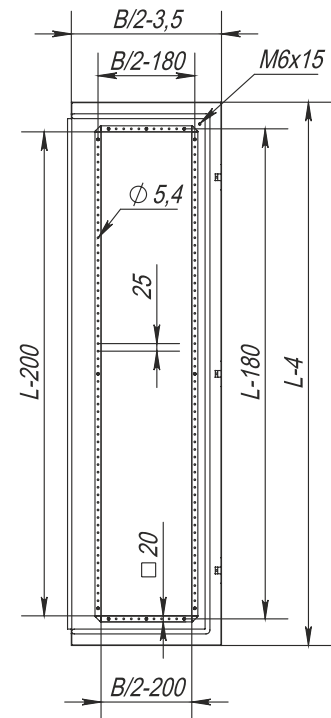
Mounting plate



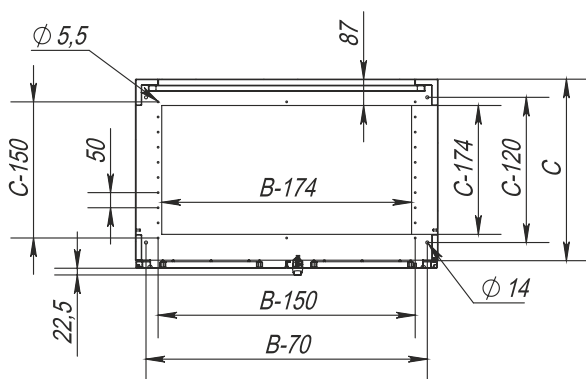
Right Door, view from the inside



Left Door, view from the inside

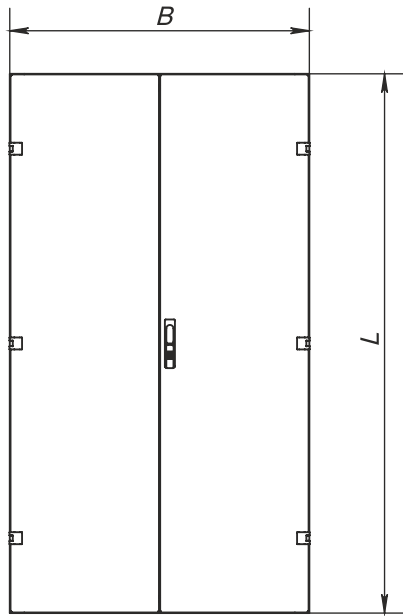


Top view, section (without the top panel)

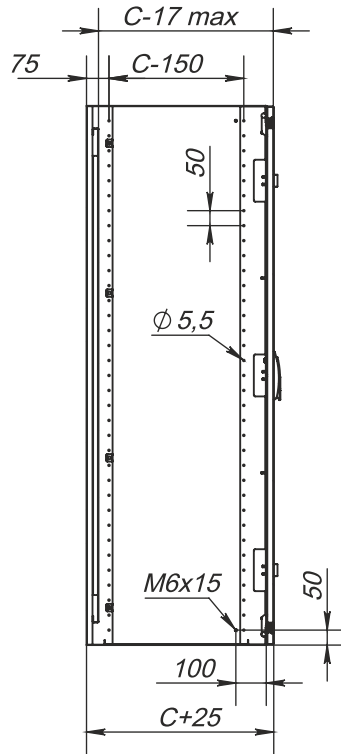


Dimensions (Enclosure)			Dimensions (Mounting plate)		Useful Depth, mm	Weight, kg	Order No.
Height L, mm	Width B, mm	Depth C, mm	Height L1, mm	Width B1, mm			
1800	1000	400	1650	914	383	90	XMD55-18104
1800	1000	600	1650	914	583	100	XMD55-18106
2000	1000	400	1850	914	383	98	XMD55-20104
2000	1000	600	1850	914	583	110	XMD55-20106

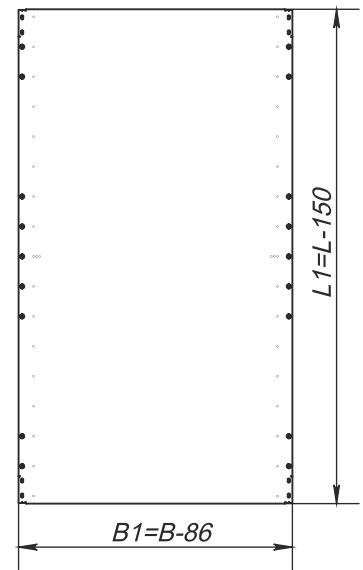
Front view



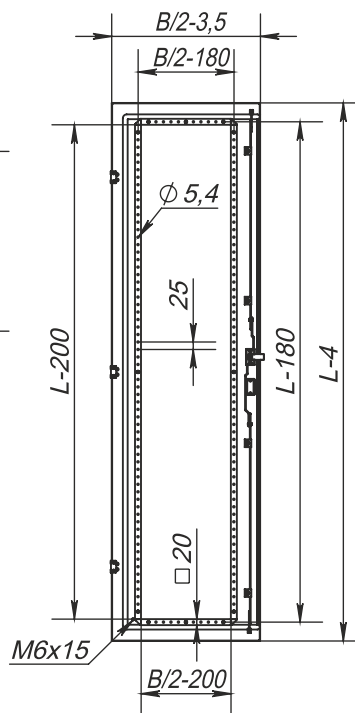
Left-side view, section



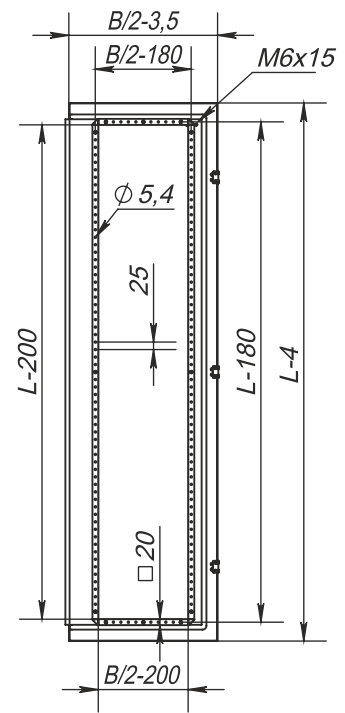
Mounting plate



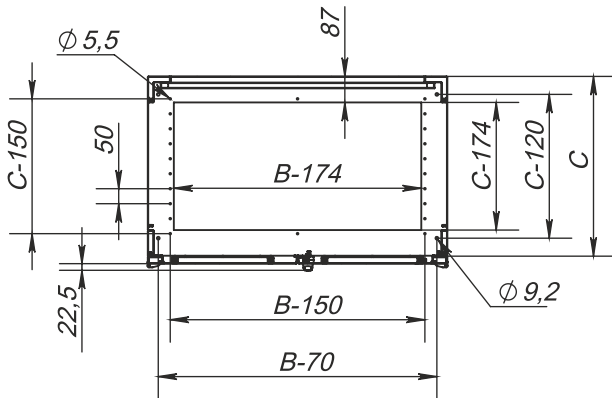
Right Door, view from the inside



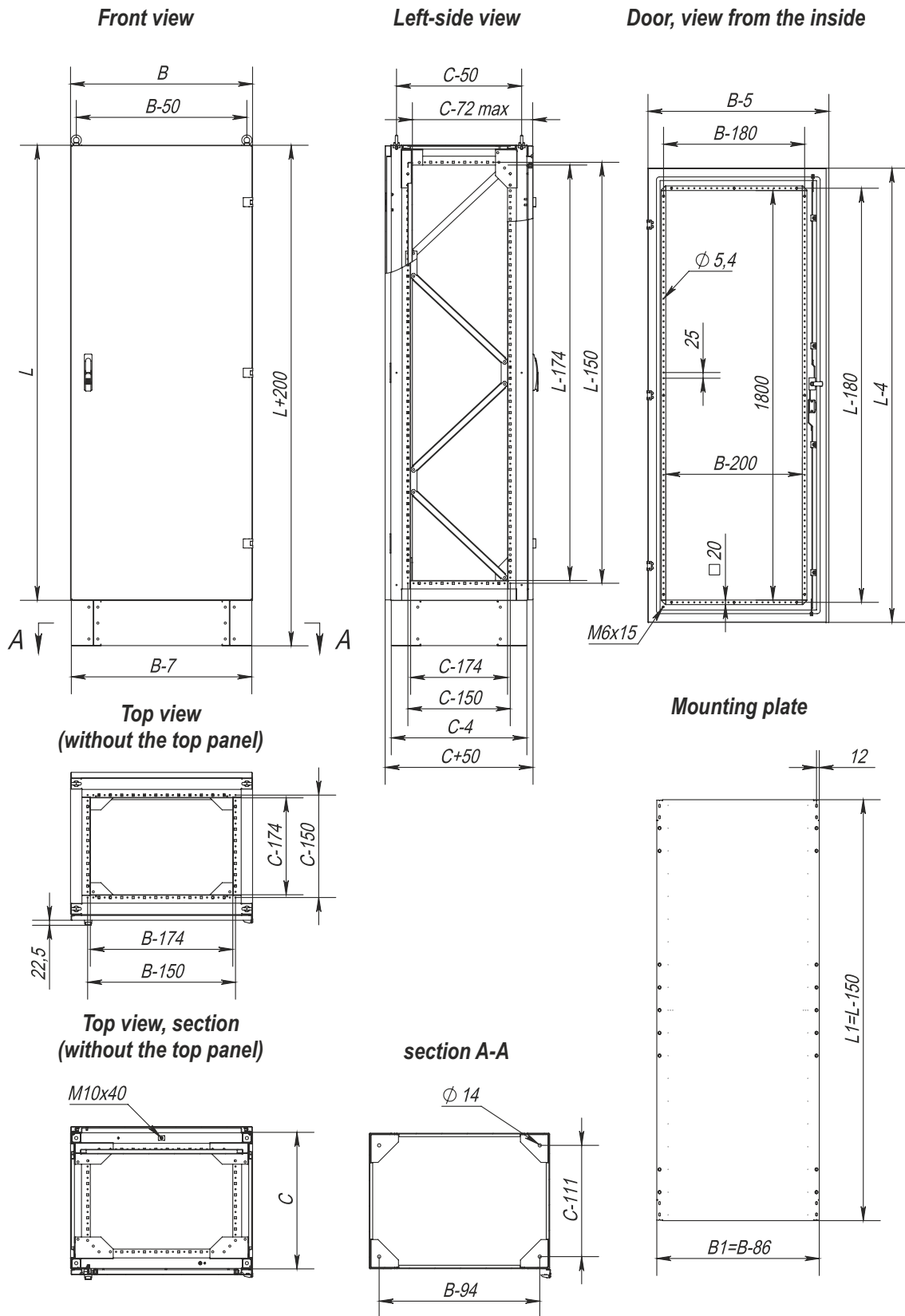
Left Door, view from the inside



Top view, section (without the top panel)

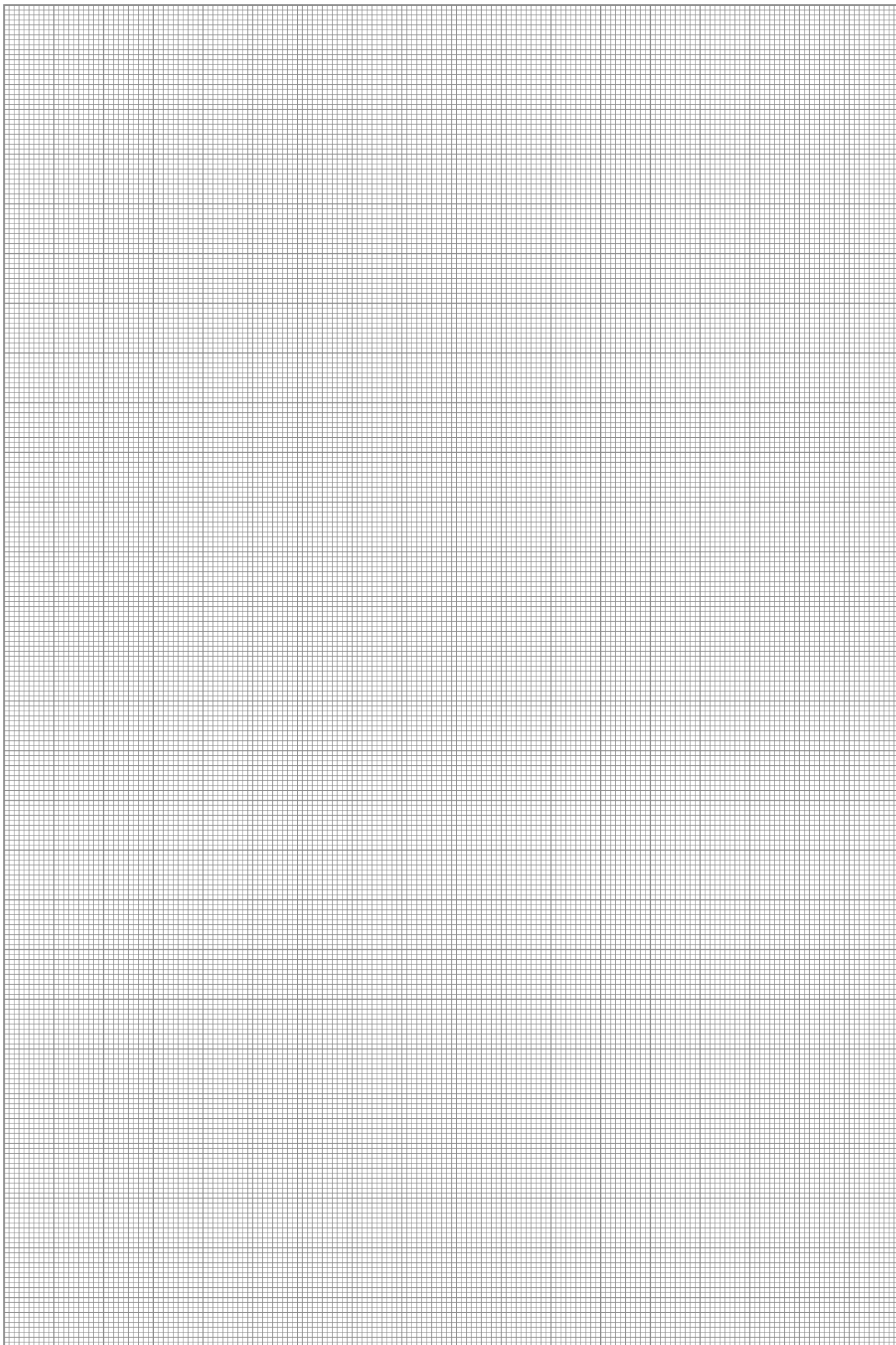


Dimensions (Enclosure)			Dimensions (Mounting plate)		Useful Depth, mm	Weight, kg	Order No.
Height L, mm	Width B, mm	Depth C, mm	Height L1, mm	Width B1, mm			
1600	1200	400	1450	1114	376	85	XMDS55-16124
1800	1200	400	1650	1114	376	93	XMDS55-18124
2000	1200	400	1850	1114	376	101	XMDS55-20124

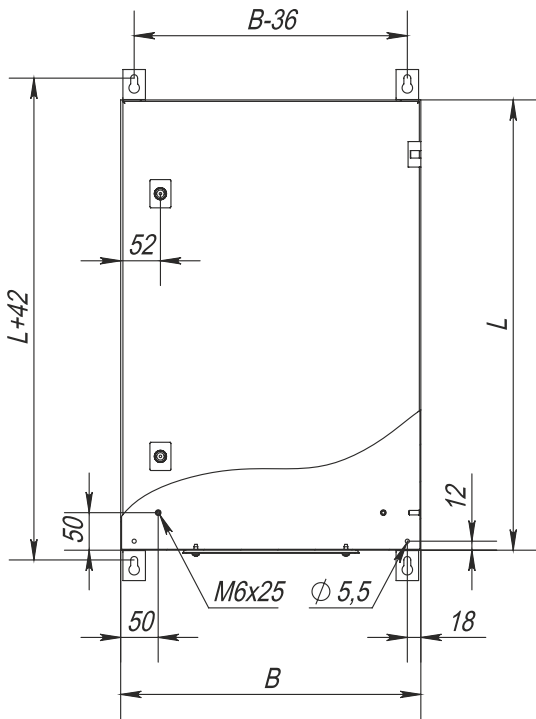


Dimensions (Enclosure)			Dimensions (Mounting plate)		Useful Depth, mm	Weight, kg	Order No.
Height L, mm	Width B, mm	Depth C, mm	Height L1, mm	Width B1, mm			
2000	600	600	1850	514	486	117	<b>XLG55-2066</b>
2000	800	600	1850	714	686	132	<b>XLG55-2086</b>
2000	600	600	2050	514	486	123	<b>XLG55-2266</b>
2000	800	600	2050	714	686	138	<b>XLG55-2286</b>

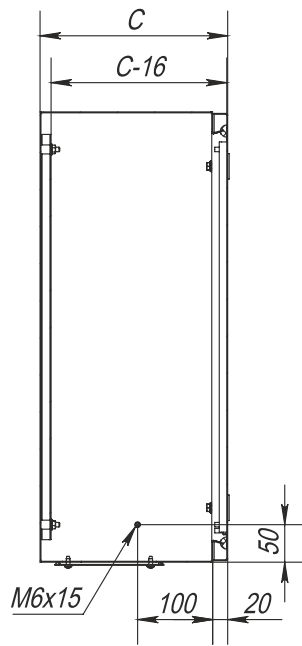




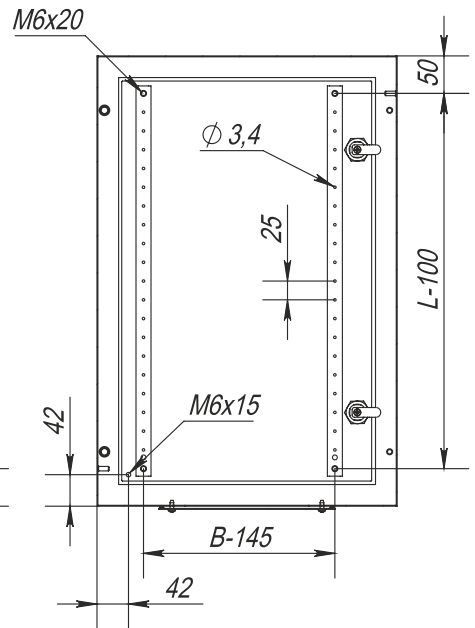
**Front view**



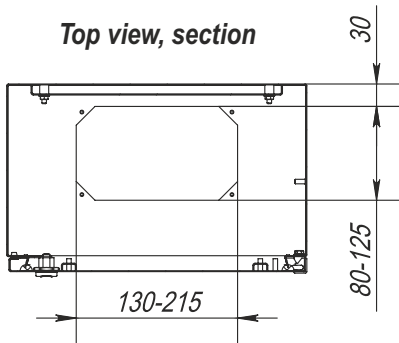
**Left-side view, section**



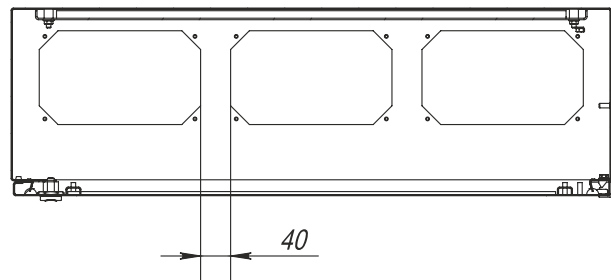
**View of a door from the inside**



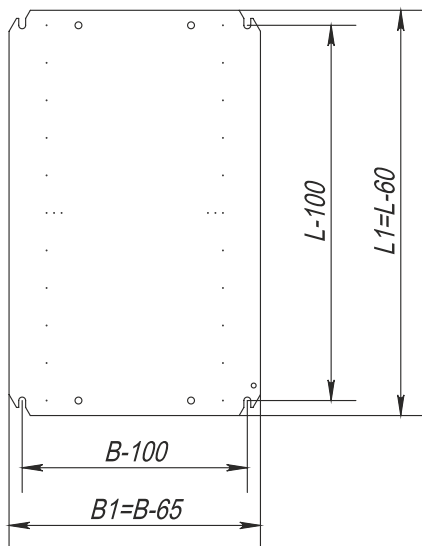
**Top view, section**



**Top view, section**



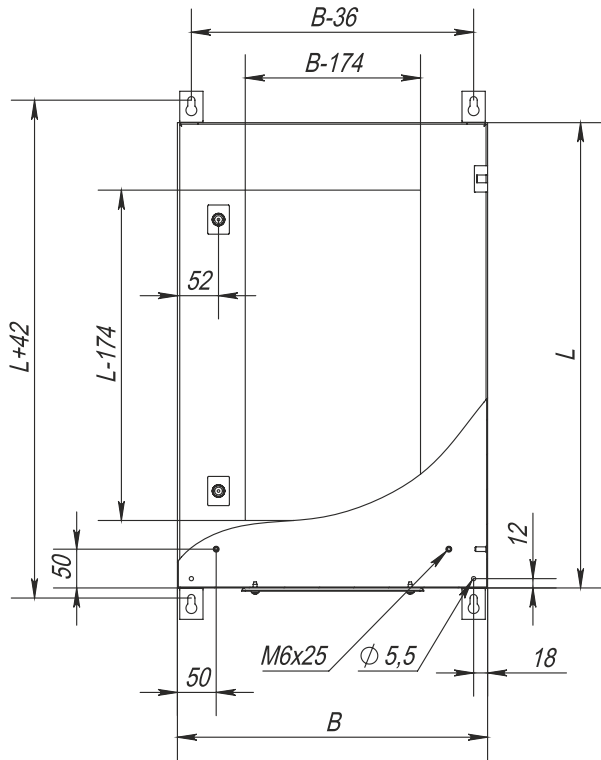
**Mounting plate**



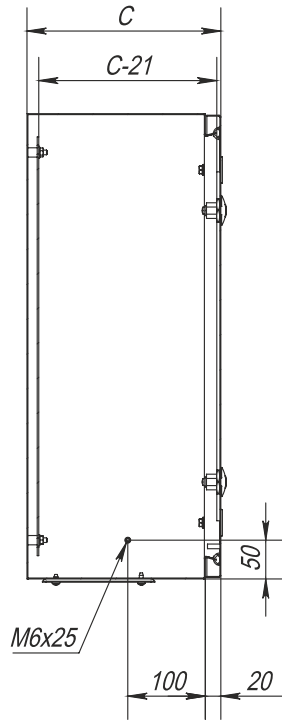
Dimensions (Enclosure)			Dimensions (Mounting plate)		Useful Depth, mm	Cable-entry panel*		Number (Lock)	Weight, kg	Order No.	
Height L, mm	Width B, mm	Depth C, mm	Height L1, mm	Width B1, mm		Dimensions, mm	Number				
300	200	180	240	135	164	70 x 150	1	1	5	<b>L66-321</b>	<b>LS66-321</b>
300	300	180	240	235	164	70 x 150	1	1	6	<b>L66-331</b>	<b>LS66-331</b>
300	300	250	240	235	234	70 x 150	1	1	7	<b>L66-332</b>	<b>LS66-332</b>
300	400	250	240	335	234	115 x 310	1	1	8	<b>L66-342</b>	<b>LS66-342</b>
400	300	180	340	235	164	70 x 150	1	2	7	<b>L66-431</b>	<b>LS66-431</b>
400	300	250	340	235	234	70 x 150	1	2	8	<b>L66-432</b>	<b>LS66-432</b>
400	400	180	340	335	164	70 x 150	2	2	9	<b>L66-441</b>	<b>LS66-441</b>
400	400	250	340	335	234	115 x 310	1	2	10	<b>L66-442</b>	<b>LS66-442</b>
400	400	320	340	335	304	115 x 310	1	2	11	<b>L66-443</b>	<b>LS66-443</b>
400	500	250	340	435	234	115 x 310	1	2	12	<b>L66-452</b>	<b>LS66-452</b>
400	600	250	340	535	234	115 x 500	1	2	14	<b>L66-462</b>	<b>LS66-462</b>
500	400	180	440	335	164	70 x 150	2	2	11	<b>L66-541</b>	<b>LS66-541</b>
500	400	250	440	335	234	115 x 310	1	2	12	<b>L66-542</b>	<b>LS66-542</b>
600	400	180	540	335	164	70 x 150	2	2	12	<b>L66-641</b>	<b>LS66-641</b>
600	400	250	540	335	234	115 x 310	1	2	14	<b>L66-642</b>	<b>LS66-642</b>
600	500	250	540	435	234	115 x 310	1	2	17	<b>L66-652</b>	<b>LS66-652</b>
600	600	180	540	535	164	70 x 150	3	2	18	<b>L66-661</b>	<b>LS66-661</b>
600	600	250	540	535	234	115 x 500	1	2	20	<b>L66-662</b>	<b>LS66-662</b>
600	600	320	540	535	304	115 x 500	1	2	24	<b>L66-663</b>	<b>LS66-663</b>
600	800	320	540	735	304	115 x 500	1	2	30	<b>L66-683</b>	<b>LS66-683</b>
800	600	250	740	535	234	115 x 500	1	2	28	<b>L66-862</b>	<b>LS66-862</b>
800	600	320	740	535	304	115 x 500	1	2	31	<b>L66-863</b>	<b>LS66-863</b>
800	800	250	740	735	234	115 x 500	1	2	36	<b>L66-882</b>	<b>LS66-882</b>
800	800	320	740	735	304	115 x 500	1	2	40	<b>L66-883</b>	<b>LS66-883</b>
1000	600	320	940	535	304	115 x 500	1	1	37	<b>L66-1063</b>	<b>LS66-1063</b>
1000	800	250	940	735	234	115 x 500	1	1	42	<b>L66-1082</b>	<b>LS66-1082</b>
1000	800	320	940	735	304	115 x 500	1	1	47	<b>L66-1083</b>	<b>LS66-1083</b>
1200	600	320	1140	535	304	115 x 500	1	1	43	<b>L66-1263</b>	<b>LS66-1263</b>
1200	800	320	1140	735	304	115 x 500	1	1	54	<b>L66-1283</b>	<b>LS66-1283</b>
1200	600	420	1140	535	404	115 x 500	1	1	45	<b>L66-1264</b>	<b>LS66-1264</b>
1200	800	420	1140	735	404	115 x 500	1	1	56	<b>L66-1284</b>	<b>LS66-1284</b>
1400	600	320	1340	535	304	115 x 500	1	1	49	<b>L66-1463</b>	<b>LS66-1463</b>
1400	800	320	1340	735	304	115 x 500	1	1	61	<b>L66-1483</b>	<b>LS66-1483</b>

\* only for L66 wall enclosures L66

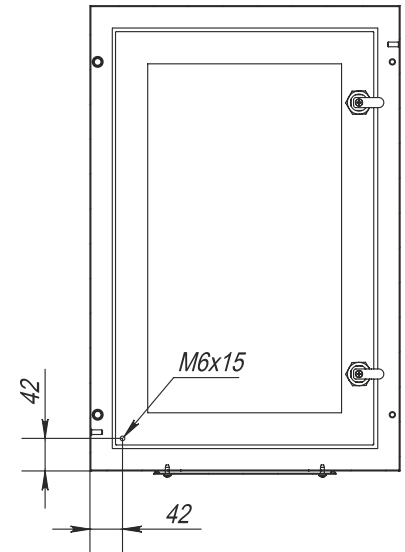
**Front view**



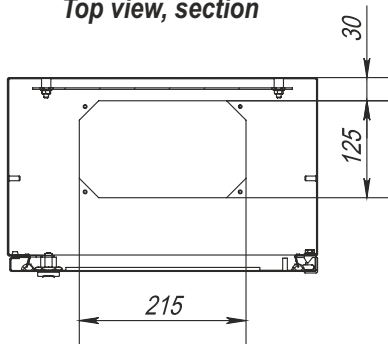
**Left-side view, section**



**InnenanSide auf die Tür**

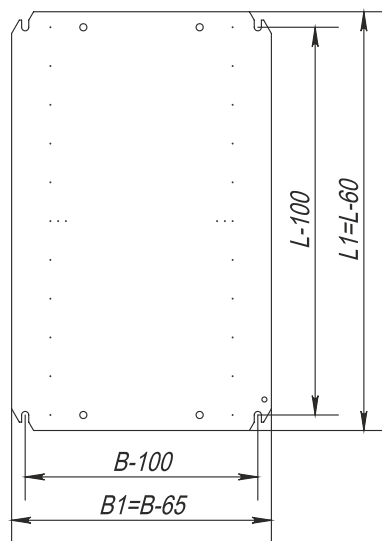
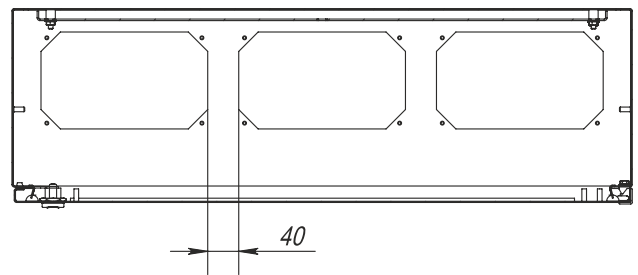


**Top view, section**



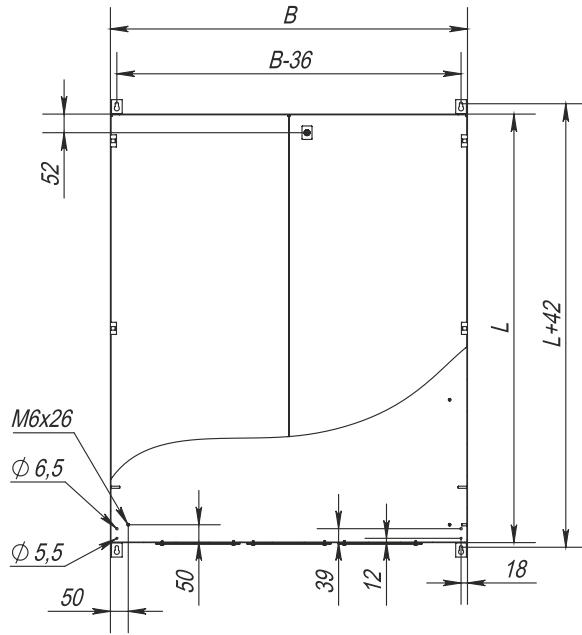
**Mounting plate**

**Top view, section**

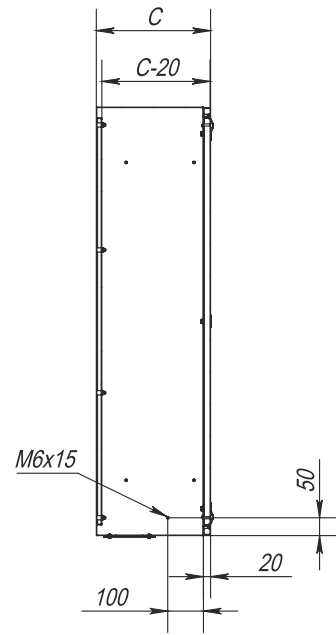


Dimensions (Enclosure)			Dimensions (Mounting plate)		Useful Depth, mm	Cable-entry panel		Number (Lock)	Weight, kg	Order No.
Height L, mm	Width B, mm	Depth C, mm	Height L1, mm	Width B1, mm		Dimensions, mm	Number			
400	300	180	340	235	159	70x150	1	2	7	<b>LV55-431</b>
400	300	250	340	235	229	70x150	1	2	8	<b>LV55-432</b>
400	400	250	340	335	229	115x310	1	2	10	<b>LV55-442</b>
400	400	320	340	335	299	115x310	1	2	11	<b>LV55-443</b>
400	500	250	340	435	229	115x310	1	2	12	<b>LV55-452</b>
400	600	250	340	535	229	115x500	1	2	14	<b>LV55-462</b>
500	400	250	440	335	229	115x310	1	2	12	<b>LV55-542</b>
600	400	250	540	335	229	115x310	1	2	14	<b>LV55-642</b>
600	500	250	540	435	229	115x310	1	2	17	<b>LV55-652</b>
600	800	320	540	735	299	115x500	1	2	30	<b>LV55-683</b>
800	600	250	740	535	229	115x500	1	2	28	<b>LV55-862</b>
800	600	320	740	535	299	115x500	1	2	31	<b>LV55-863</b>
800	800	250	740	735	229	115x500	1	2	36	<b>LV55-882</b>
800	800	320	740	735	299	115x500	1	2	40	<b>LV55-883</b>
1000	600	320	940	535	299	115x500	1	1	37	<b>LV55-1063</b>
1000	800	320	940	735	299	115x500	1	1	47	<b>LV55-1083</b>
1200	600	320	1140	535	299	115x500	1	1	43	<b>LV55-1263</b>
1200	800	320	1140	735	299	115x500	1	1	54	<b>LV55-1283</b>
1200	600	420	1140	535	379	115x500	1	1	45	<b>LV55-1264</b>
1200	800	420	1140	735	379	115x500	1	1	56	<b>LV55-1284</b>

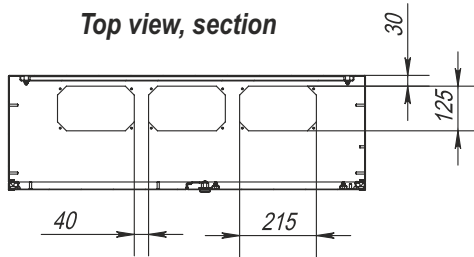
**Front view**



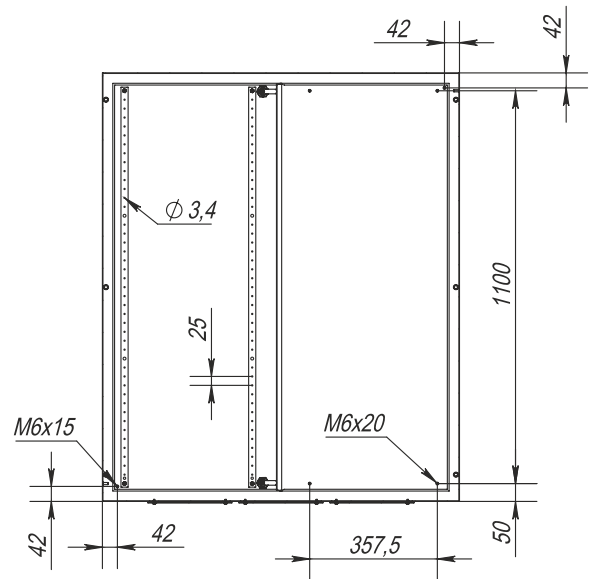
**Left-side view, section**



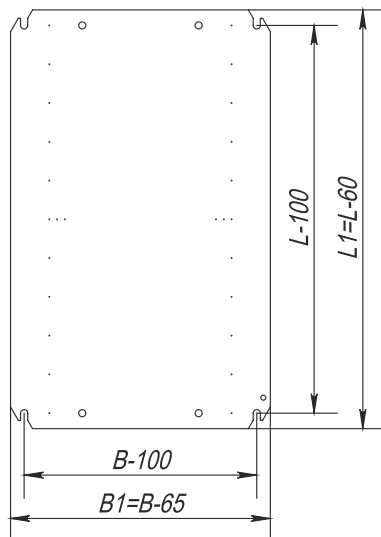
**Top view, section**



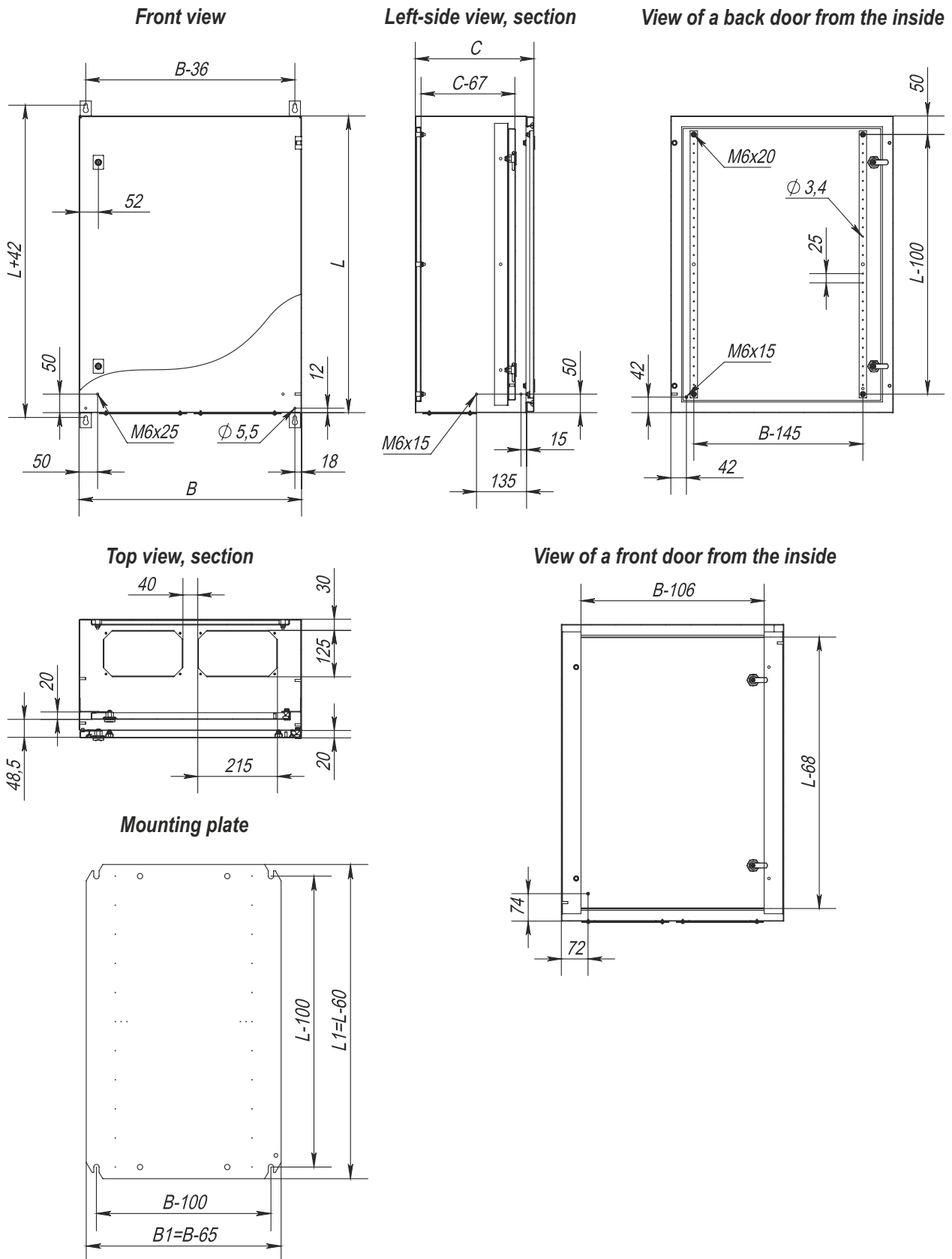
**InnenanSide auf die Tür**



**Mounting plate**

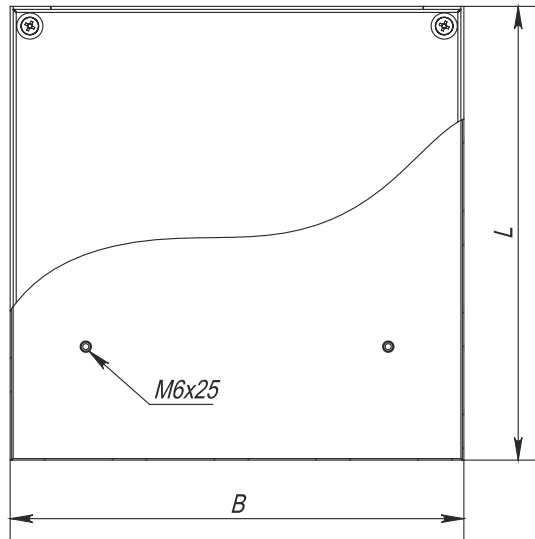


Dimensions (Enclosure)			Dimensions (Mounting plate)		Useful Depth, mm	Cable-entry panel		Number (Lock)	Weight, kg	Order No.
Height L, mm	Width B, mm	Depth C, mm	Height L1, mm	Width B1, mm		Dimensions, mm	Number			
600	1000	320	540	935	304	115x310	2	2	37	LD55-6103
800	1000	320	740	935	304	115x310	2	2	48	LD55-8103
600	1200	320	540	1135	304	115x500	2	2	59	LD55-6123
800	1200	320	740	1135	304	115x500	2	2	70	LD55-8123
1000	1000	320	940	935	304	115x310	2	1	59	LD55-10103
1200	1000	320	1140	935	304	115x310	2	1	70	LD55-12103

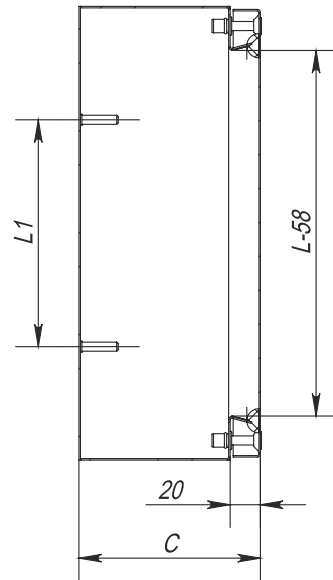


Dimensions (Enclosure)			Dimensions (Mounting plate)		Useful Depth, mm	Cable-entry panel		Number (Lock)	Weight, kg	Order No.
Height L, mm	Width B, mm	Depth C, mm	Height L1, mm	Width B1, mm		Dimensions, mm	Number			
500	400	250	440	335	183	115x310	1	2	17	LDD66-542
600	400	250	540	335	183	115x310	1	2	20	LDD66-642
800	600	250	740	535	183	115x500	1	2	37	LDD66-862
1000	600	320	940	535	253	115x500	1	1	44	LDD66-1063
1200	600	320	1140	535	253	115x500	1	1	51	LDD66-1263

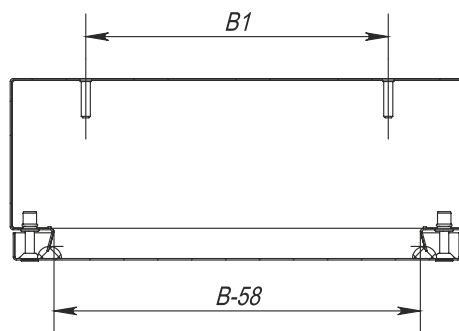
**Front view**



**Left-side view, section**



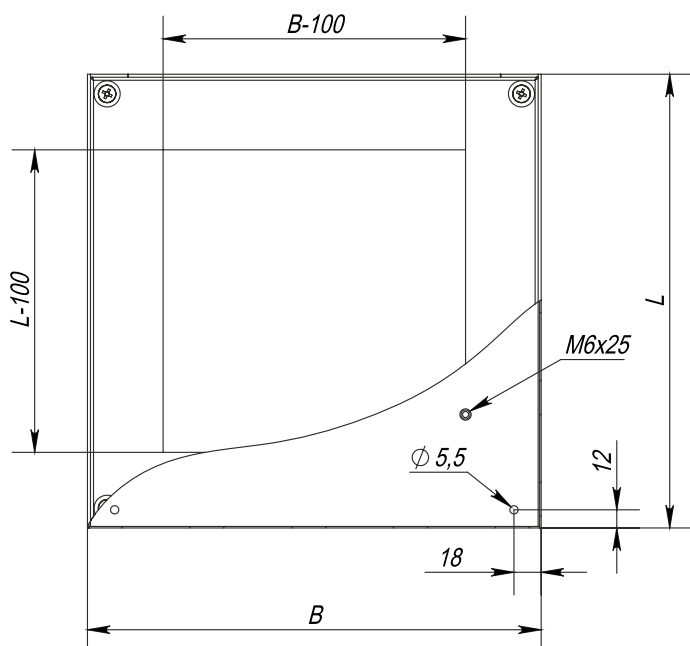
**Top view, section**



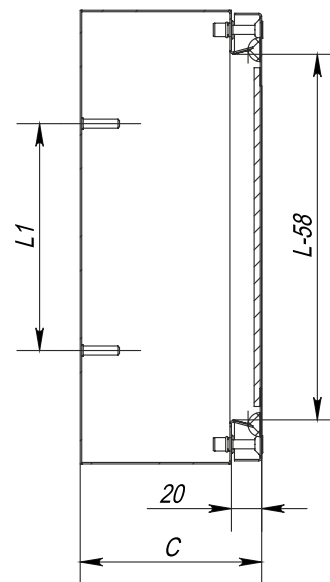
Dimensions (Gehäuse)			Useful Depth, mm	Weight, kg	Order No.	
Height L, mm	Width B, mm	Depth C, mm				
150	150	120	104	1,2	<b>S66-111</b>	<b>SS66-111</b>
150	200	120	104	1,6	<b>S66-121</b>	<b>SS66-121</b>
150	300	120	104	2,0	<b>S66-131</b>	<b>SS66-131</b>
200	200	120	104	1,6	<b>S66-221</b>	<b>SS66-221</b>
200	300	120	104	2,2	<b>S66-231</b>	<b>SS66-231</b>
200	400	120	104	2,8	<b>S66-241</b>	<b>SS66-241</b>
300	300	120	104	3,1	<b>S66-331</b>	<b>SS66-331</b>
300	400	120	104	3,9	<b>S66-341</b>	<b>SS66-341</b>
300	600	120	104	5,4	<b>S66-361</b>	<b>SS66-361</b>
400	400	120	104	4,9	<b>S66-441</b>	<b>SS66-441</b>
400	600	120	104	6,8	<b>S66-461</b>	<b>SS66-461</b>
400	800	120	104	8,6	<b>S66-481</b>	<b>SS66-481</b>



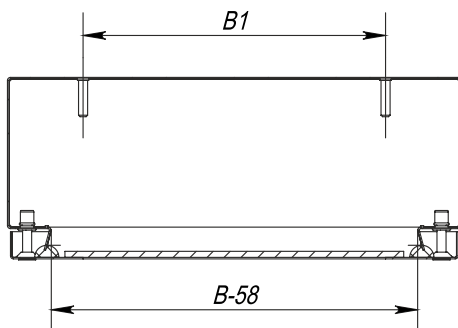
**Front view**



**Left-side view, section**

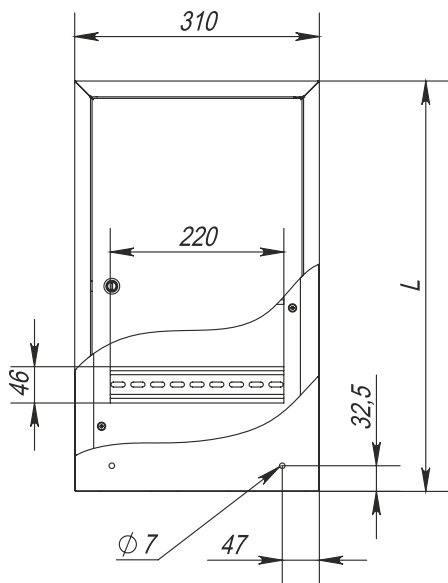


**Top view, section**

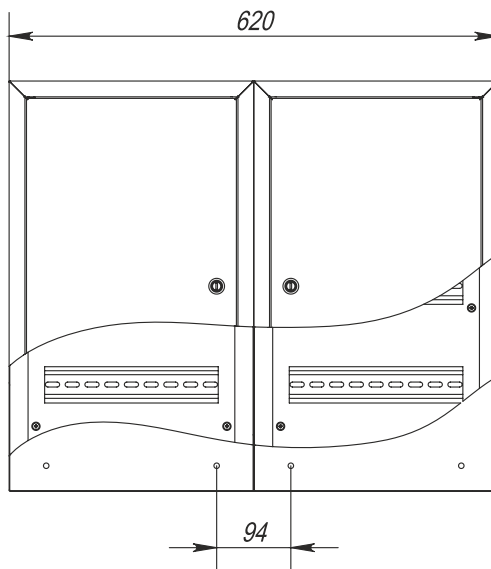


Dimensions (Gehäuse)			Useful Depth, mm	Weight, kg	Order No.	
Height L, mm	Width B, mm	Depth C, mm				
200	200	120	99	1,6	<b>SV55-221</b>	<b>SSV55-221</b>
200	300	120	99	2,2	<b>SV55-231</b>	<b>SSV55-231</b>
200	400	120	99	2,8	<b>SV55-241</b>	<b>SSV55-241</b>
300	300	120	99	3,1	<b>SV55-331</b>	<b>SSV55-331</b>
300	400	120	99	3,9	<b>SV55-341</b>	<b>SSV55-341</b>
300	600	120	99	5,4	<b>SV55-361</b>	<b>SSV55-361</b>
400	400	120	99	4,9	<b>SV55-441</b>	<b>SSV55-441</b>
400	600	120	99	6,8	<b>SV55-461</b>	<b>SSV55-461</b>
400	800	120	99	8,6	<b>SV55-481</b>	<b>SSV55-481</b>

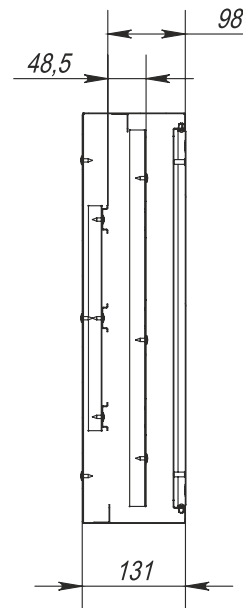
Front view



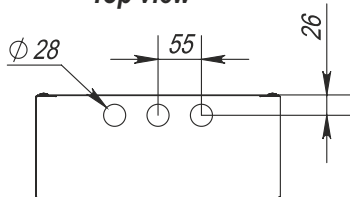
Front view, M-70N



Left-side view, section



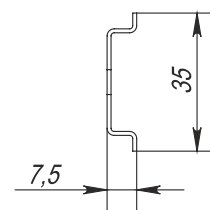
Top view



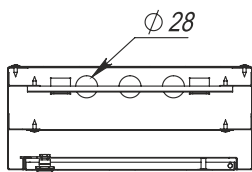
Top view, M-70N



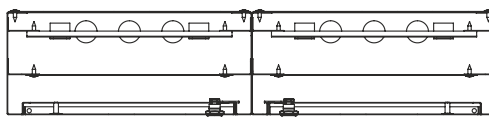
DIN-lath



Top view, section

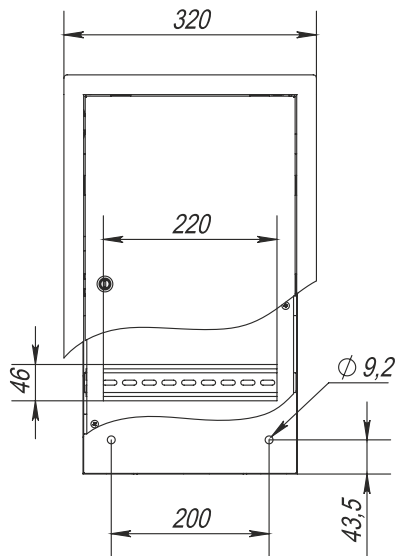


Top view, section, M-70N

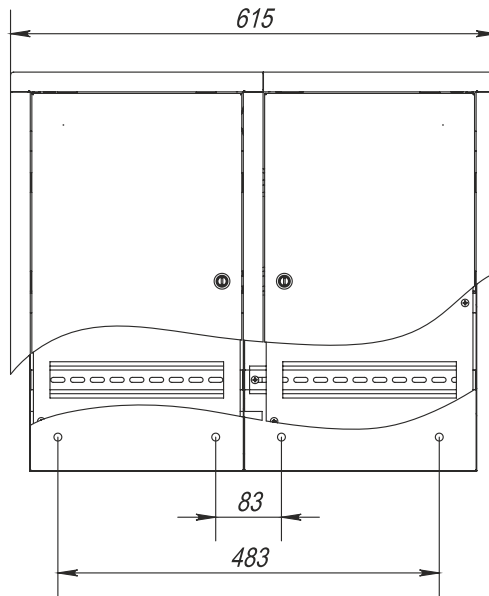


Dimensions (Enclosure)			Cable-entry panel		Number (Lock)	Weight, kg	Order No.
Height L, mm	Width B, mm	Depth C, mm	Dimensions, mm	Number			
265	310	130	Ø28	6	1	2,3	M-12N
395	310	130	Ø28	6	1	3,2	M-24N
520	310	130	Ø28	6	1	4,1	M-36N
645	310	130	Ø28	6	1	5,1	M-48N
520	620	130	Ø28	12	2	8,3	M-70N

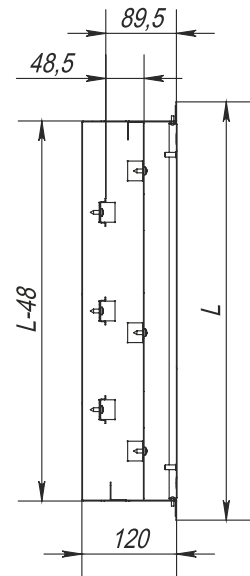
Front view



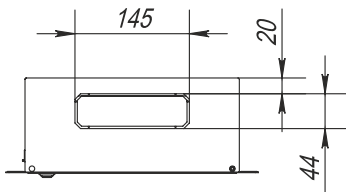
Front view, M-70N



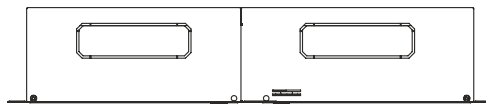
Left-side view, section



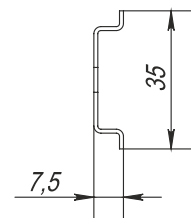
Top view



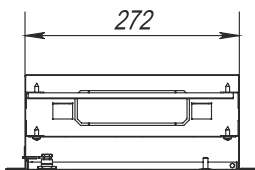
Top view, M-70V



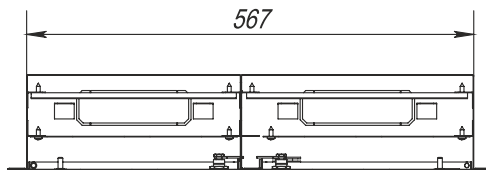
DIN-lath



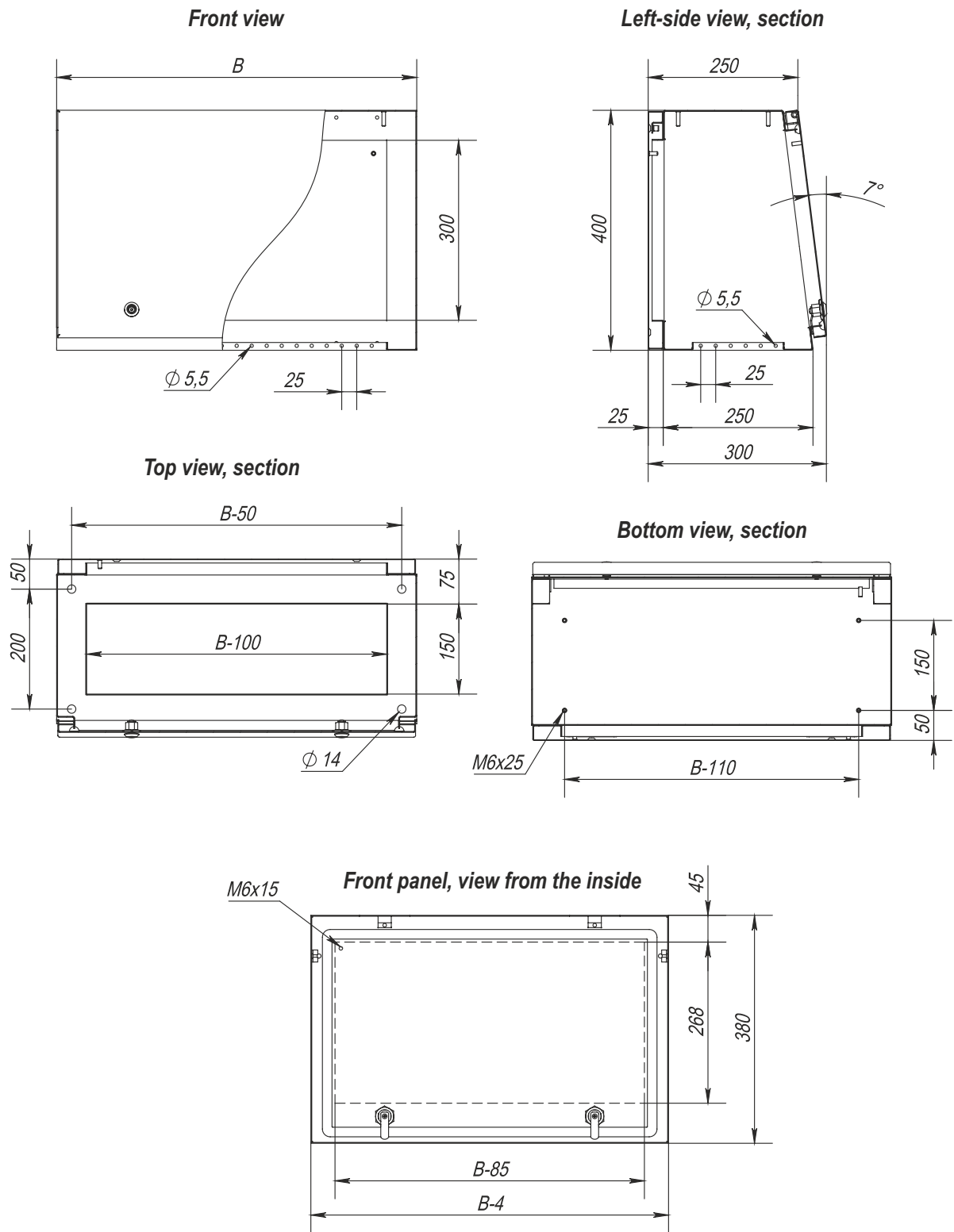
Top view, section



Top view, section, M-70V

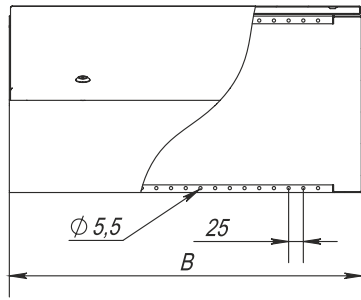


Dimensions (Enclosure)			Cable-entry panel		Number (Lock)	Weight, kg	Order No.
Height L, mm	Width B, mm	Depth C, mm	Dimensions, mm	Number			
225	270	120	44x145	2	1	2,3	<b>M-12V</b>
355	270	120	44x146	2	1	3,2	<b>M-24V</b>
480	270	120	44x147	2	1	4,1	<b>M-36V</b>
605	270	120	44x148	2	1	5,1	<b>M-48V</b>
480	545	120	44x149	4	2	8,3	<b>M-70V</b>

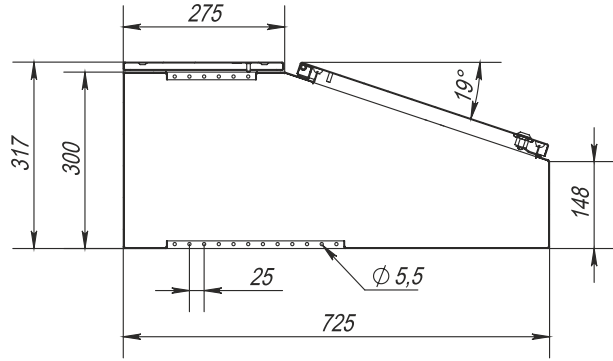


Dimensions (Enclosure)			Cable-entry panel		Useful Depth, mm	Number (Lock)	Weight, kg	Order No.	
Height L, mm	Width B, mm	Depth C, mm	Height L1, mm	Width B1, mm					
400	600	250	-	-	-	2	15	XLPU-UP462	XLSPU-UP462
400	800	250	-	-	-	2	19	XLPU-UP482	XLSPU-UP482
400	1000	250	-	-	-	2	22	XLPU-UP4102	XLSPU-UP4102
400	1200	250	-	-	-	2	28	XLPU-UP4122	XLSPU-UP4122
400	1400	250	-	-	-	2	32	XLPU-UP4142	XLSPU-UP4142
400	1600	250	-	-	-	2	36	XLPU-UP4162	XLSPU-UP4162

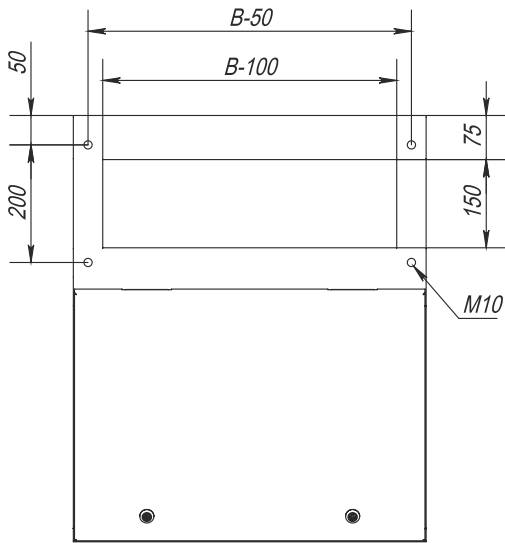
**Front view**



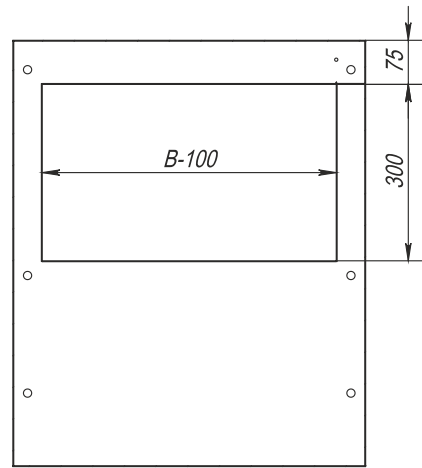
**Left-side view, section**



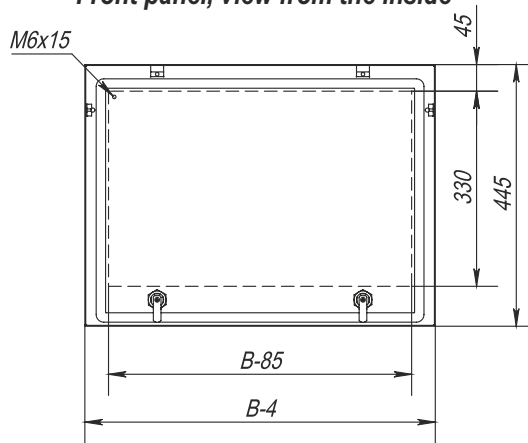
**Top view (without the top panel)**



**Top view, section**

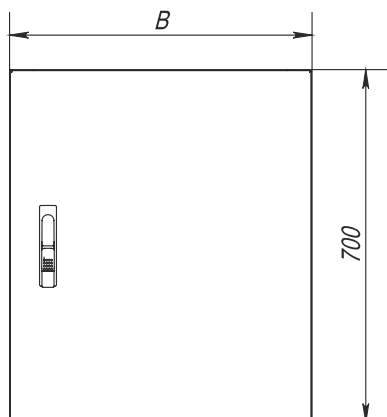


**Front panel, view from the inside**

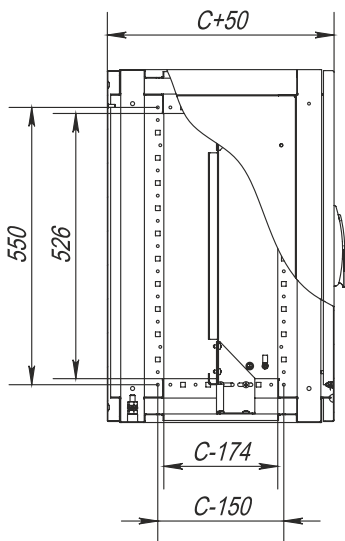


Dimensions (Enclosure)			Cable-entry panel		Useful Depth, mm	Number (Lock)	Weight, kg	Order No.	
Height L, mm	Width B, mm	Depth C, mm	Height L1, mm	Width B1, mm					
300	600	725	-	-	-	2	19	XLPU-M367	XLSPU-M367
300	800	725	-	-	-	2	23	XLPU-M387	XLSPU-M387
300	1000	725	-	-	-	2	28	XLPU-M3107	XLSPU-M3107
300	1200	725	-	-	-	2	33	XLPU-M3127	XLSPU-M3127
300	1400	725	-	-	-	2	39	XLPU-M3147	XLSPU-M3147
300	1600	725	-	-	-	2	45	XLPU-M3167	XLSPU-M3167

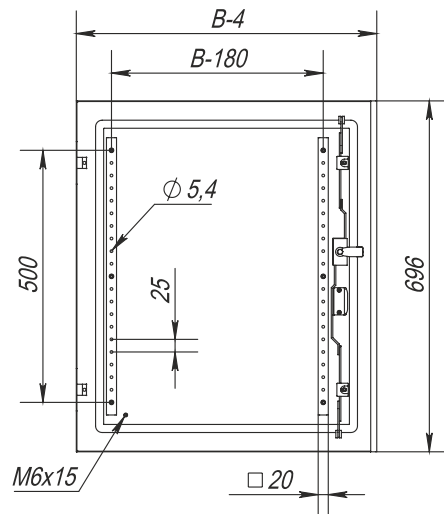
Front view



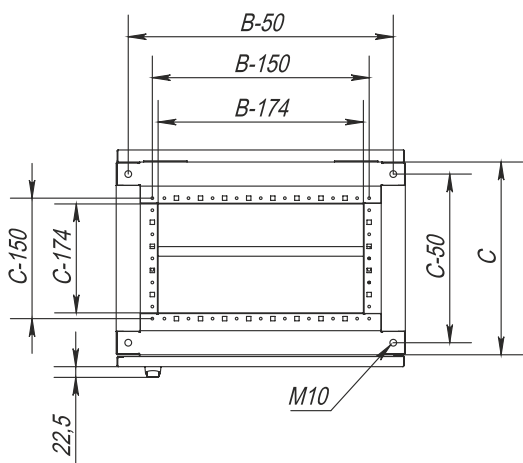
Left-side view, section



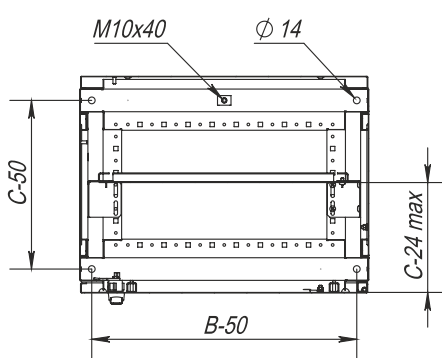
Door, view from the inside



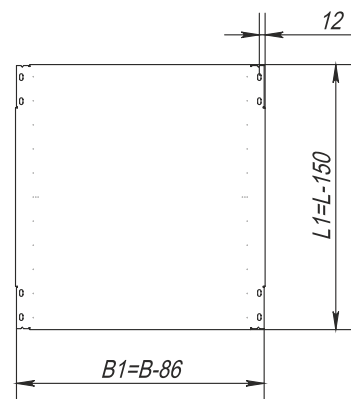
Top view



Top view, section

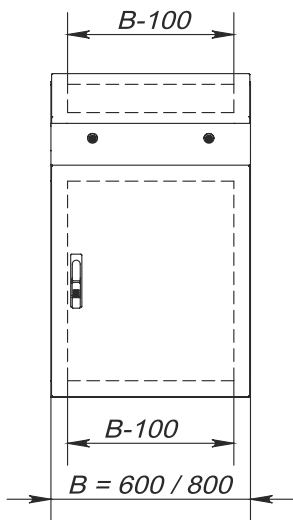


Mounting plate

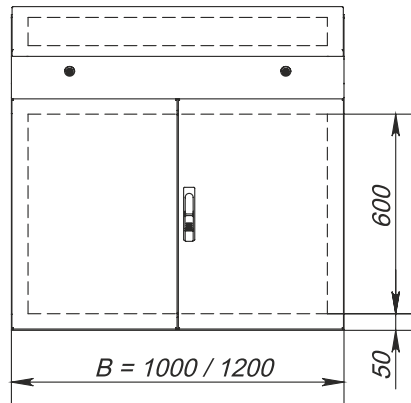


Dimensions (Enclosure)			Cable-entry panel		Useful Depth, mm	Number (Lock)	Weight, kg	Order No.	
Height L, mm	Width B, mm	Depth C, mm	Height L1, mm	Width B1, mm					
700	600	400	540	514	342	1	34	XLPU-DN764	XLSPU-DN764
700	600	600	540	514	542	1	38	XLPU-DN766	XLSPU-DN766
700	800	400	540	714	342	1	39	XLPU-DN784	XLSPU-DN784
700	800	600	540	714	542	1	45	XLPU-DN786	XLSPU-DN786
700	1000	400	540	914	342	1	51	XLPU-DN7104	XLSPU-DN7104
700	1000	600	540	914	542	1	55	XLPU-DN7106	XLSPU-DN7106
700	1200	400	540	1114	342	1	57	XLPU-DN7124	XLSPU-DN7124
700	1200	600	540	1114	542	1	62	XLPU-DN7126	XLSPU-DN7126
700	1400	400	540	1314	342	1	64	XLPU-DN7144	XLSPU-DN7144
700	1400	600	540	1314	542	1	68	XLPU-DN7146	XLSPU-DN7146
700	1600	400	540	1514	342	1	71	XLPU-DN7164	XLSPU-DN7164
700	1600	600	540	1514	542	1	75	XLPU-DN7166	XLSPU-DN7166

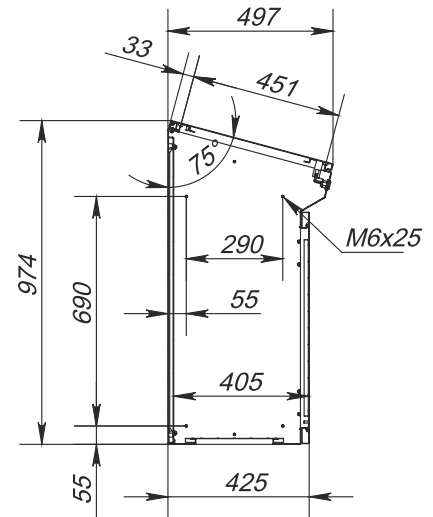
Front view  
1 door



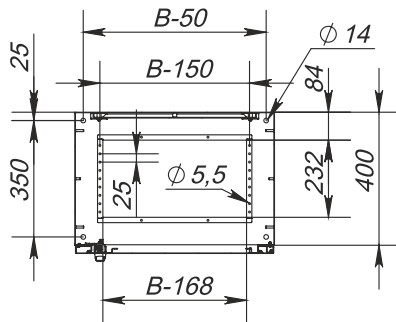
Front view  
2 doors



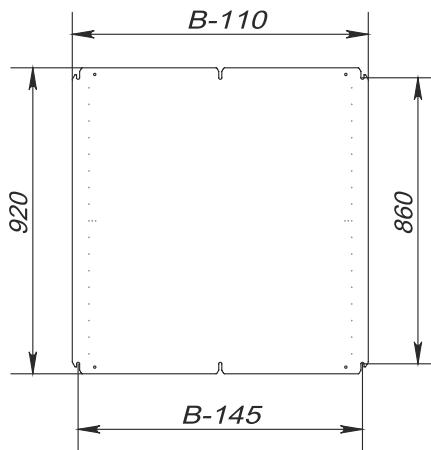
Left-side view, section



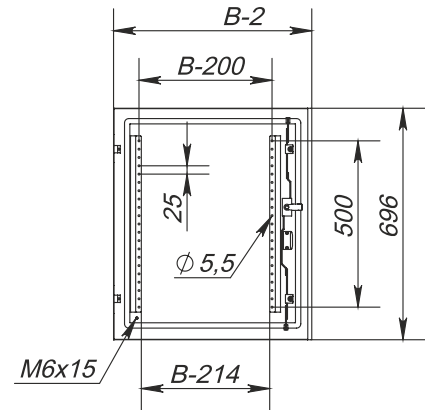
Top view, section



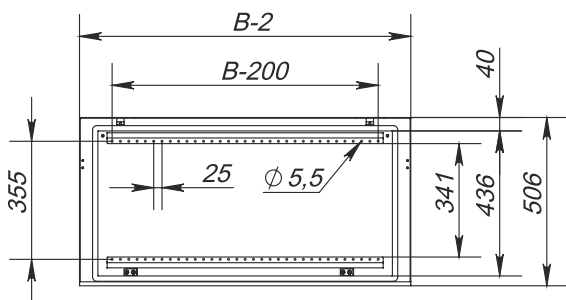
Mounting plate



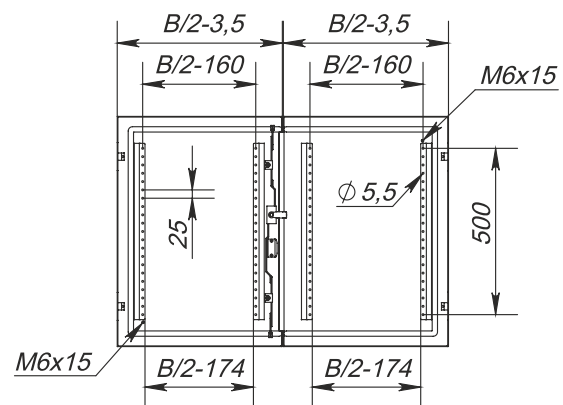
View of a door from the inside



Deckel, InnenanSide

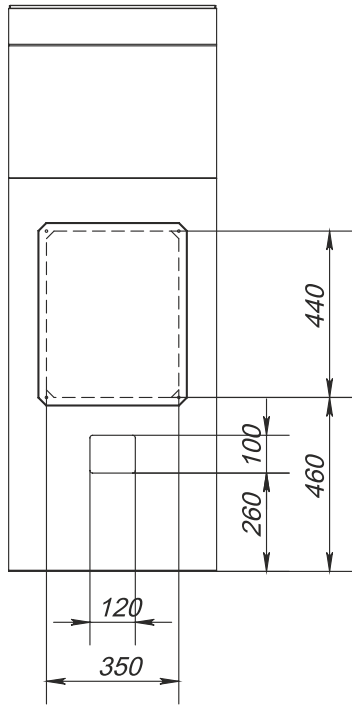


InnenanSide auf die Tür

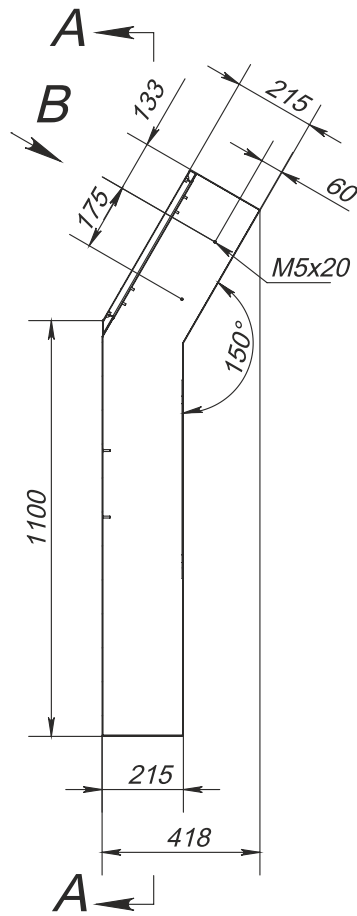


Dimensions (Enclosure)			Cable-entry panel		Number (Lock)	Weight, kg	Order No.
Height L, mm	Width B, mm	Depth C, mm	Height L1, mm	Width B1, mm			
974	600	497	900	530	1	50	XMPUII-964
974	800	497	900	730	1	62	XMPUII-984
974	1000	497	900	930	1	79	XMPUII-9104
974	1200	497	900	1130	1	90	XMPUII-9124

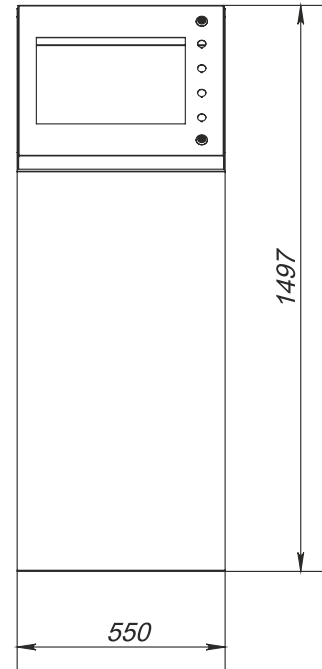
Back view



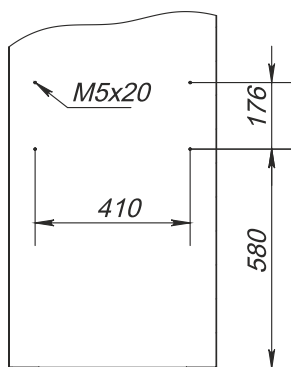
Right side, section



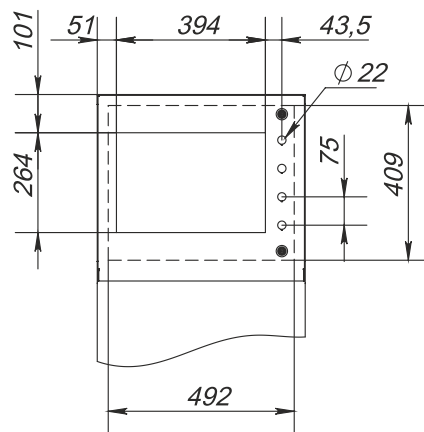
Front view



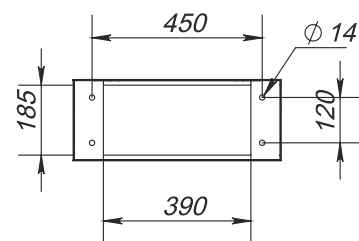
A-A



B

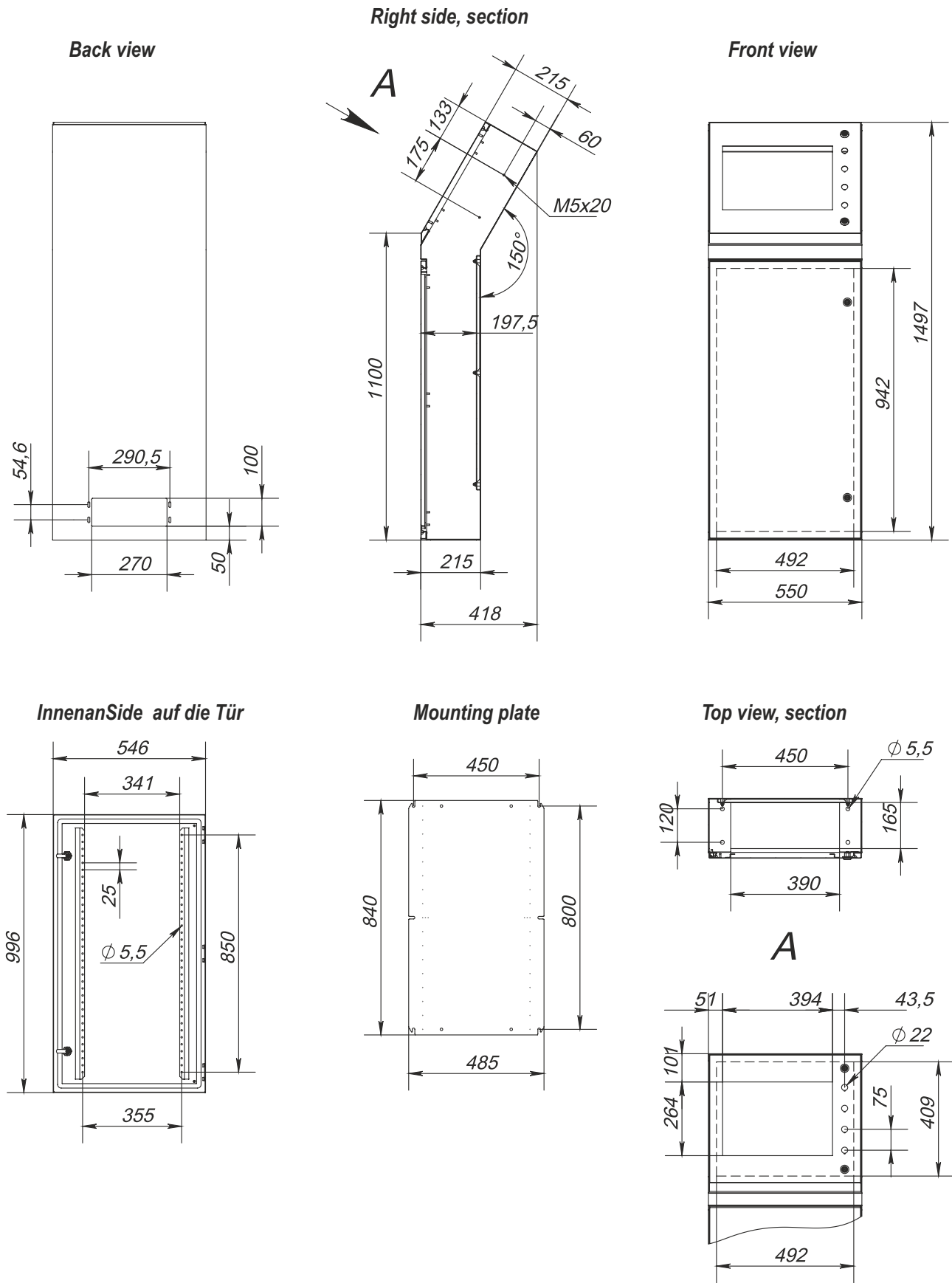


Top view, section

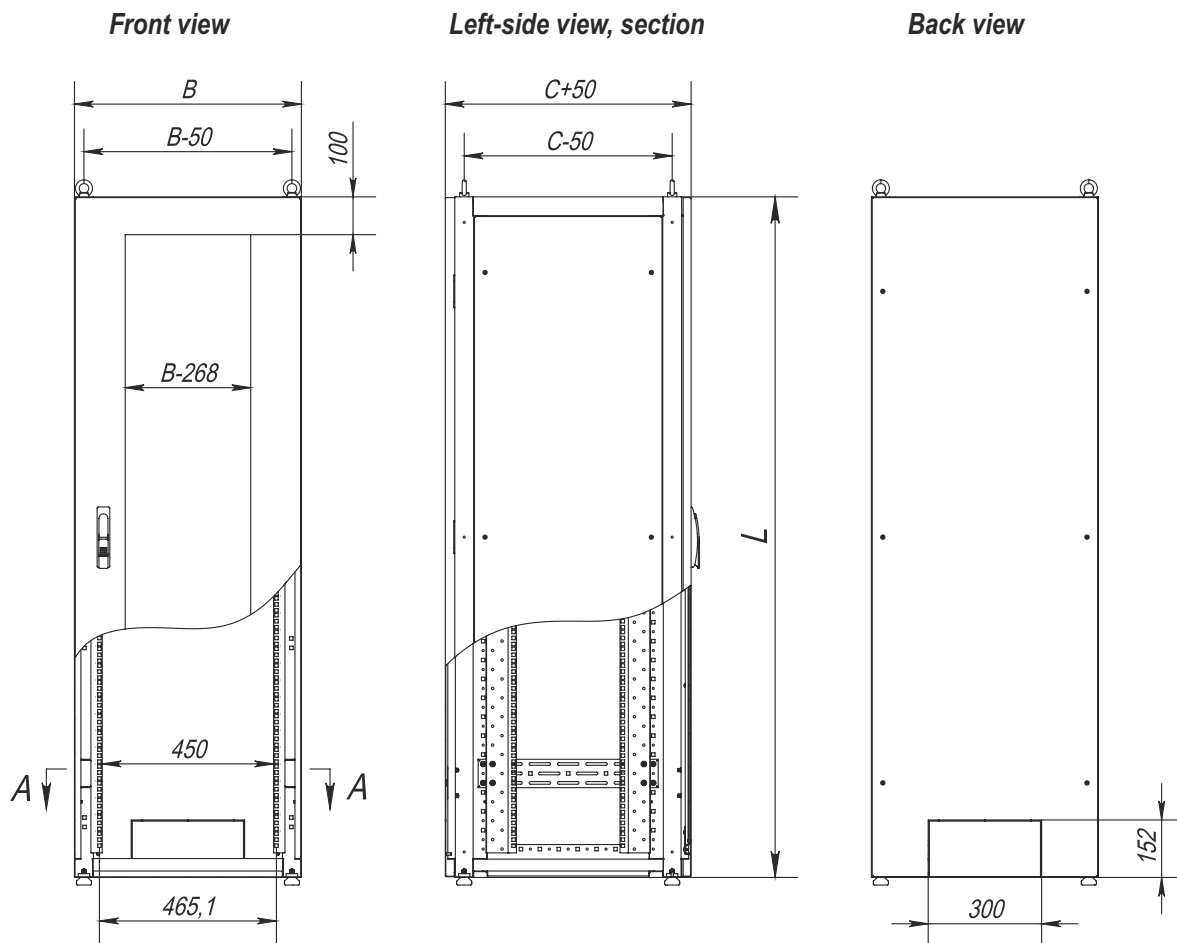


Dimensions (Enclosure)			Number (Lock)	Weight, kg	Order No.
Height L, mm	Width B, mm	Depth C, mm			
1497	550	417	2	22	IPC-Halter

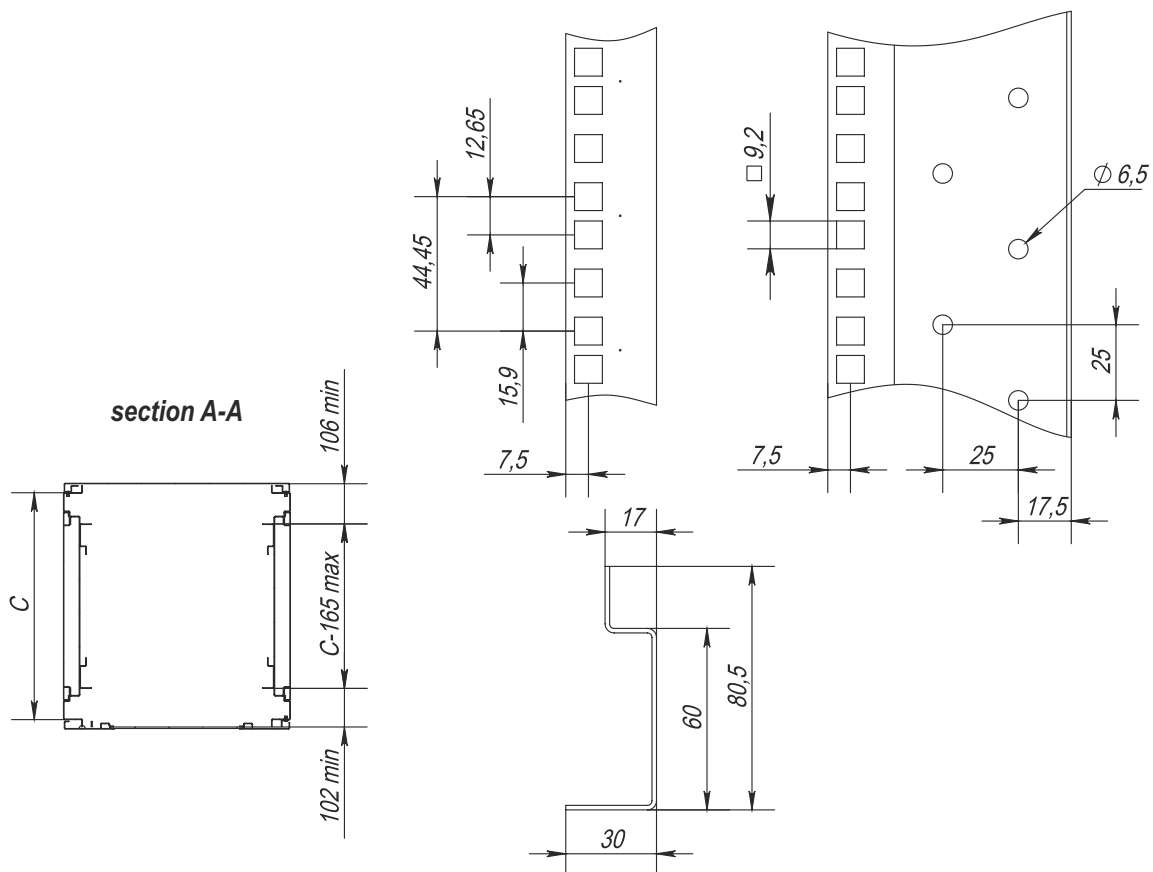




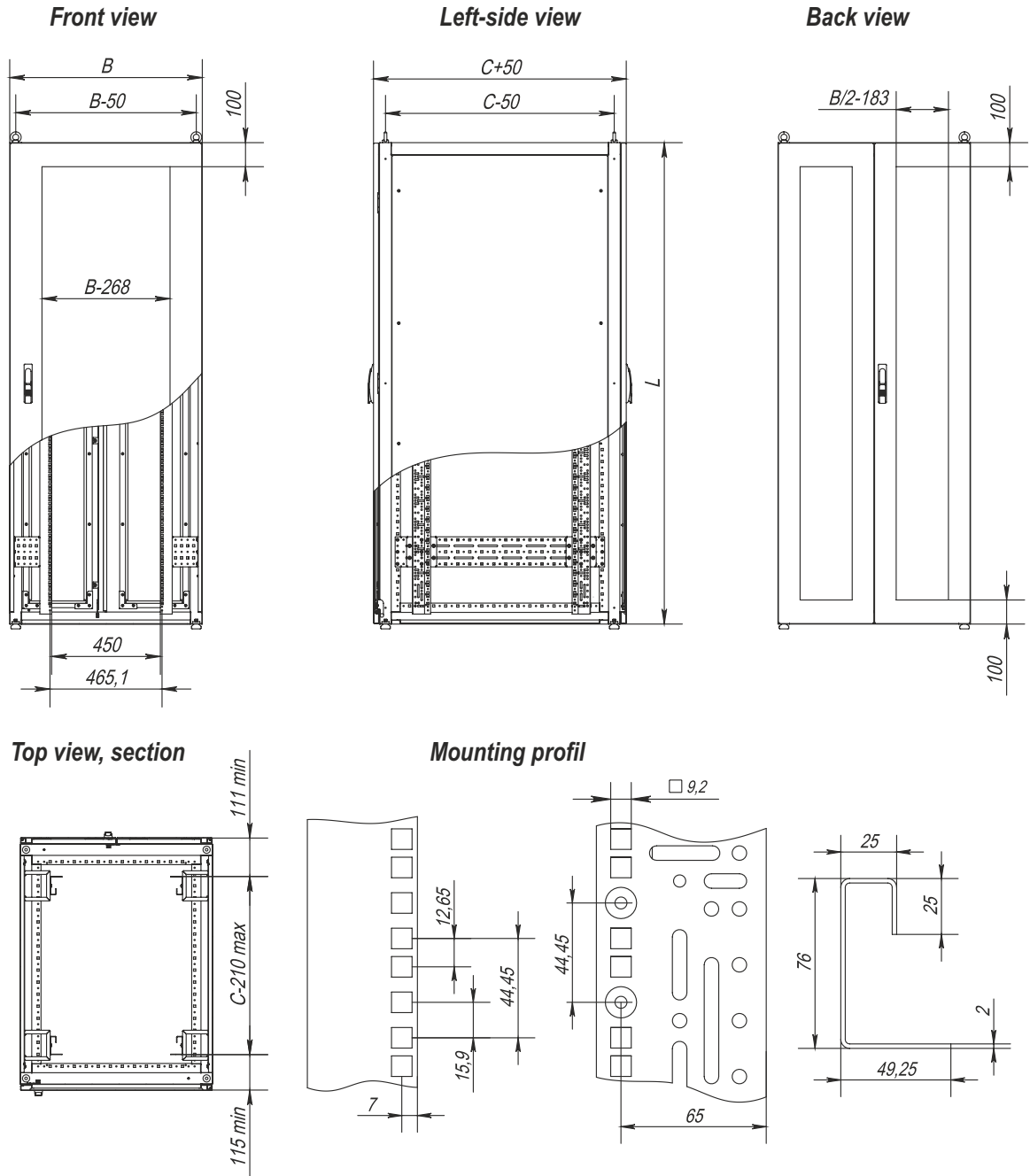
Dimensions (Enclosure)			Number (Lock)	Weight, kg	Order No.
Height L, mm	Width B, mm	Depth C, mm			
1497	550	417	2	29	IPC-Halter-A



**Mounting profil**

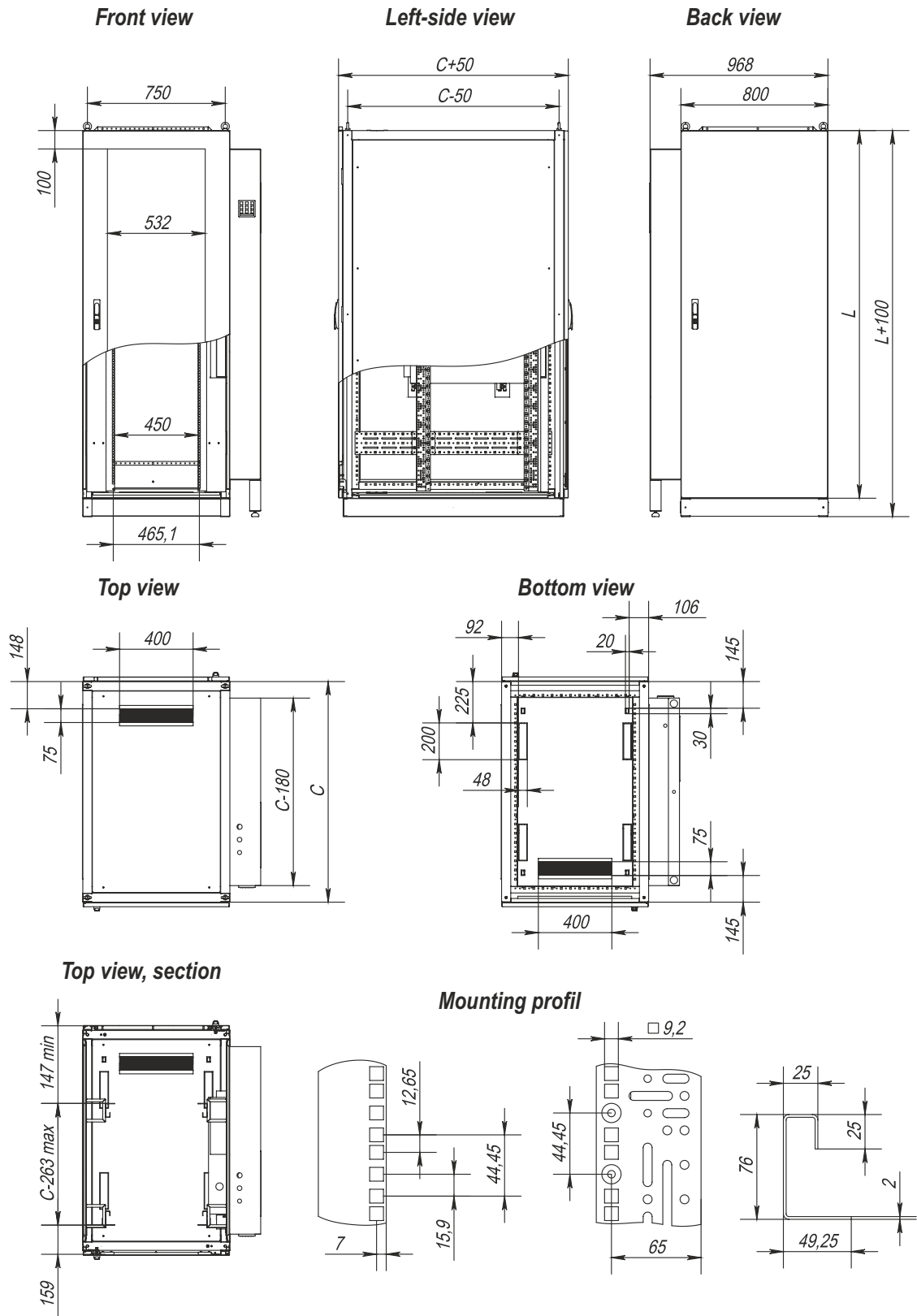


Dimensions (Enclosure)				Number (19" Profil)	Montage- Depth, mm	Weight, kg	Order No.		
Montage- Height, HE	Height L, mm	Width B, mm	Depth C, mm						
15	800	600	600	4	435	40	XL-IT15U66	-	-
19	1000	600	600	4	435	50	XL-IT19U66	-	-
24	1200	600	600	4	435	60	XL-IT24U66	-	-
28	1400	600	600	4	435	70	XL-IT28U66	-	-
33	1600	600	600	4	435	80	XL-IT33U66	-	-
37	1800	600	600	4	435	90	XL-IT37U66	-	-
42	2000	600	600	4	435	100	XL-IT42U66	XL55-IT42U66	XLS-IT42U66
46	2200	600	600	4	435	100	XL-IT46U66	-	-
11	600	600	800	4	635	35	XL-IT11U68	-	-
15	800	600	800	4	635	45	XL-IT15U68	-	-
19	1000	600	800	4	635	55	XL-IT19U68	-	-
24	1200	600	800	4	635	65	XL-IT24U68	-	-
28	1400	600	800	4	635	75	XL-IT28U68	-	-
33	1600	600	800	4	635	85	XL-IT33U68	-	-
37	1800	600	800	4	635	90	XL-IT37U68	-	-
42	2000	600	800	4	635	115	XL-IT42U68	XL55-IT42U68	XLS-IT42U68
46	2200	600	800	4	635	120	XL-IT46U68	-	-
42	2000	800	600	4	390	115	XL-IT42U86	XL55-IT42U86	-
42	2000	800	800	4	590	130	XL-IT42U88	-	-
46	2200	800	600	4	390	120	XL-IT46U86	-	-
46	2200	800	800	4	590	143	XL-IT46U88	-	-
24	1200	600	1000	4	835	78	XL-IT24U610	-	-
28	1400	600	1000	4	835	95	XL-IT28U610	-	-
33	1600	600	1000	4	835	105	XL-IT33U610	-	-
37	1800	600	1000	4	835	120	XL-IT37U610	-	-
42	2000	600	1000	4	835	130	XL-IT42U610	-	XLS-IT42U610
46	2200	600	1000	4	835	143	XL-IT46U610	-	-
42	2000	800	1000	4	790	145	XL-IT42U810	-	-
46	2200	800	1000	4	790	160	XL-IT46U810	-	-

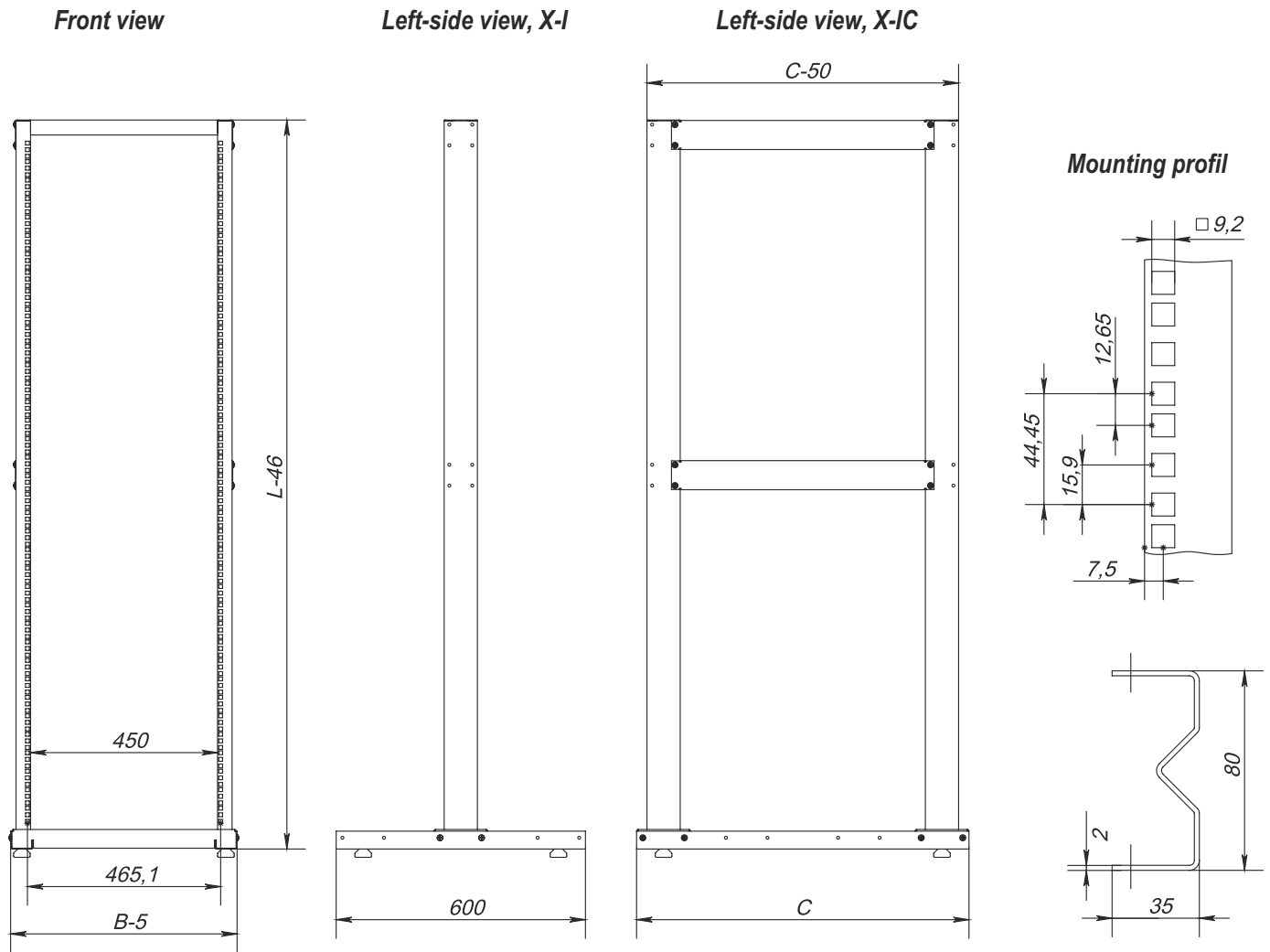


Dimensions (Enclosure)				Number (19" Profil)	Montage Depth, mm	Weight, kg	Order No.
Montage- Height, HE	Height L, mm	Width B, mm	Depth C, mm				
42	2000	800	800	4	590	130	<b>XL-ID42U88</b>
46	2200	800	800	4	590	143	<b>XL-ID46U88</b>
42	2000	600	1000	4	835	130	<b>XL-ID42U610</b>
46	2200	600	1000	4	835	143	<b>XL-ID46U610</b>
42	2000	800	1000	4	790	145	<b>XL-ID42U810</b>
46	2200	800	1000	4	790	160	<b>XL-ID46U810</b>
42	2000	600	1200	4	1035	156	<b>XL-ID42U612</b>
46	2200	600	1200	4	1035	172	<b>XL-ID46U612</b>
42	2000	800	1200	4	990	174	<b>XL-ID42U812</b>
46	2200	800	1200	4	990	192	<b>XL-ID46U812</b>

Dimensions (Enclosure)				Number (19" Profil)	Montage Depth, mm	Weight, kg	Order No.
Montage- Height, HE	Height L, mm	Width B, mm	Depth C, mm				
42	2000	600	1200	4	1035	156	<b>XL-3D42U612</b>
46	2200	600	1200	4	1035	172	<b>XL-3D46U612</b>
42	2000	800	1200	4	990	174	<b>XL-3D42U812</b>
46	2200	800	1200	4	990	192	<b>XL-3D46U812</b>



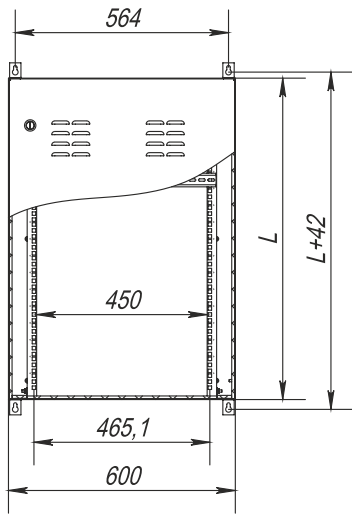
Dimensions (Enclosure)				Number (19" Profil)	Montage Depth, mm	Weight, kg	Order No.
Montage- Height, HE	Height L, mm	Width B, mm	Depth C, mm				
42	2000	900	1000	4	737	185	XL-IDC42U810-3.5
42	2000	900	1000	4	737	185	XL-IDC42U810-5.0
42	2000	900	1000	4	737	185	XL-IDC42U810-7.1
42	2000	900	1200	4	937	200	XL-IDC42U812-3.5
42	2000	900	1200	4	937	200	XL-IDC42U812-5.0
42	2000	900	1200	4	937	200	XL-IDC42U812-7.1
42	2000	900	1200	4	937	200	XL-IDC42U812-10.0
42	2000	900	1200	4	937	200	XL-IDC42U812-12.5
42	2000	900	1200	4	937	200	XL-IDC42U812-14.0



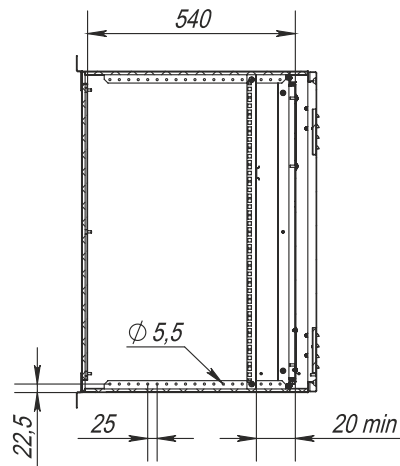
Dimensions (Enclosure)				Number (19" Profil)	Weight, kg	Order No.
Montage-Height, HE	Height L, mm	Width B, mm	Depth C, mm			
28	1400	550	600	2	11	<b>X-I28U66</b>
33	1600	550	600	2	12	<b>X-I33U66</b>
37	1800	550	600	2	13	<b>X-I37U66</b>
42	2000	550	600	2	14	<b>X-I42U66</b>

Dimensions (Enclosure)				Number (19" Profil)	Montage Depth, mm	Weight, kg	Order No.
Montage-Height, HE	Height L, mm	Width B, mm	Depth C, mm				
28	1400	550	600	4	550	28	<b>X-IC28U66</b>
33	1600	550	600	4	550	30	<b>X-IC33U66</b>
37	1800	550	600	4	550	32	<b>X-IC37U66</b>
42	2000	550	600	4	550	34	<b>X-IC42U66</b>
46	2200	550	600	4	550	36	<b>X-IC46U66</b>
50	2400	550	600	4	550	38	<b>X-IC50U66</b>
28	1400	550	800	4	750	30	<b>X-IC28U68</b>
33	1600	550	800	4	750	32	<b>X-IC33U68</b>
37	1800	550	800	4	750	34	<b>X-IC37U68</b>
42	2000	550	800	4	750	36	<b>X-IC42U68</b>
46	2200	550	800	4	750	38	<b>X-IC46U68</b>
50	2400	550	800	4	750	40	<b>X-IC50U68</b>
42	2000	550	1000	4	950	38	<b>X-IC42U610</b>
46	2200	550	1000	4	950	40	<b>X-IC46U610</b>
50	2400	550	1000	4	950	42	<b>X-IC50U610</b>

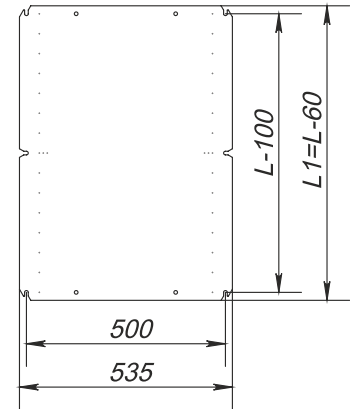
**Front view**



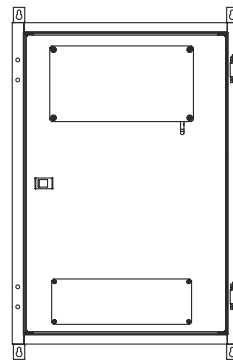
**Left-side view, section**



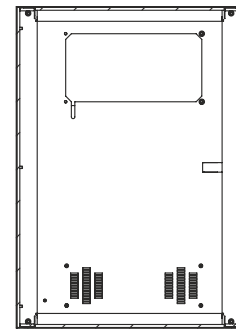
**Mounting plate**



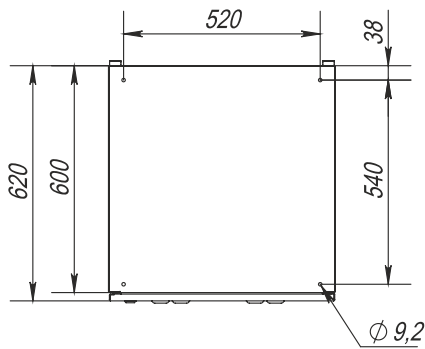
**Front view (without external door)**



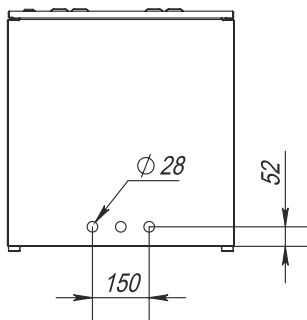
**View of a front door from the inside**



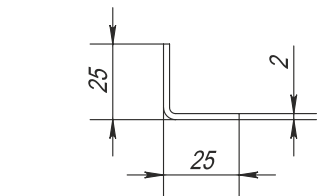
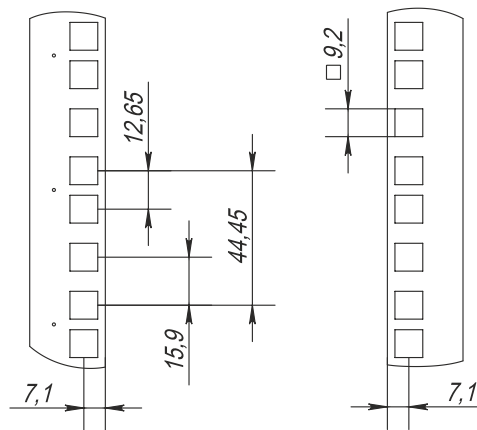
**Top view**



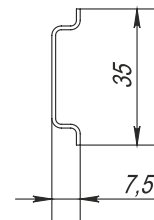
**Bottom view**



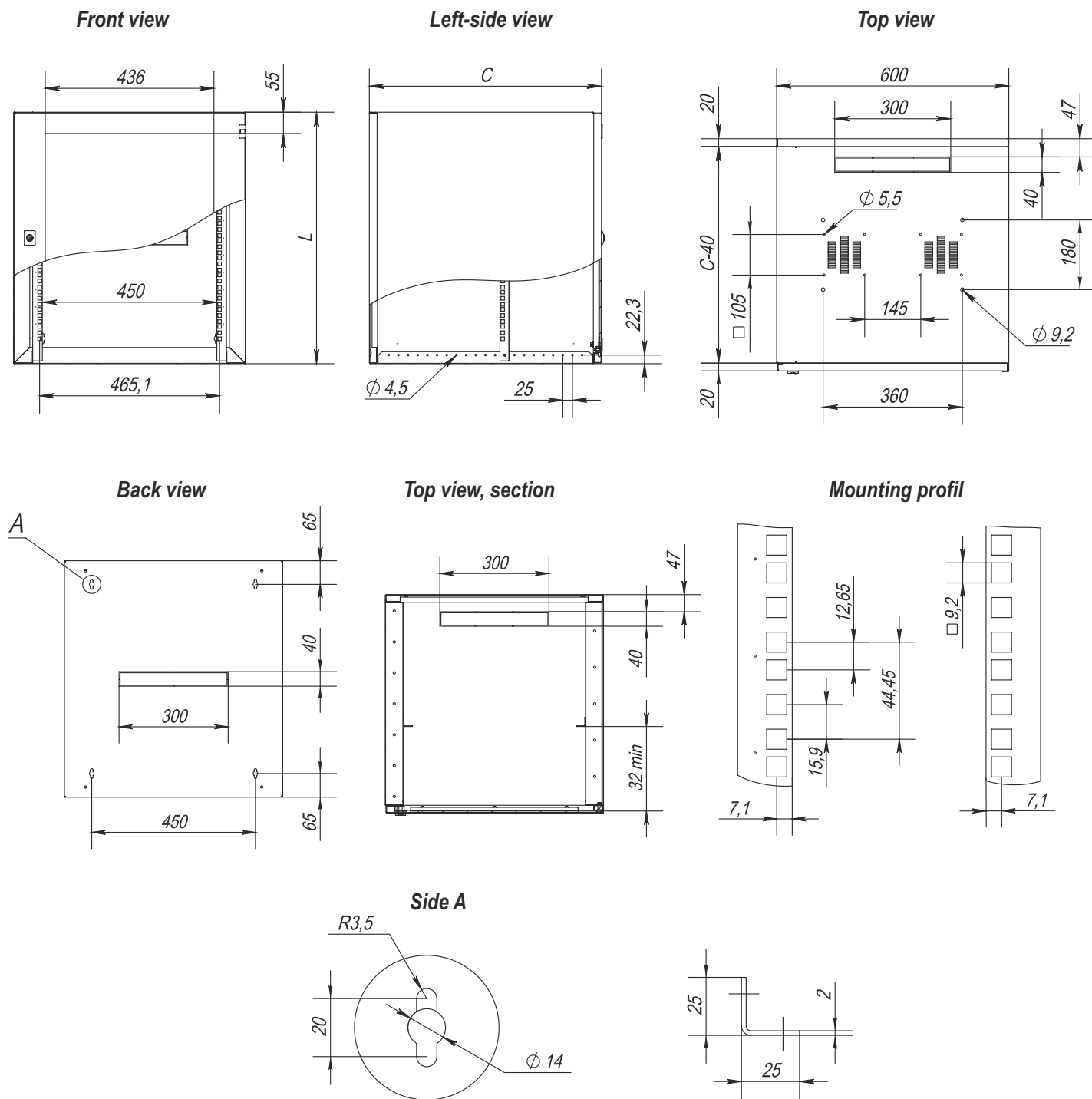
**Mounting profil**



**DIN-lath**

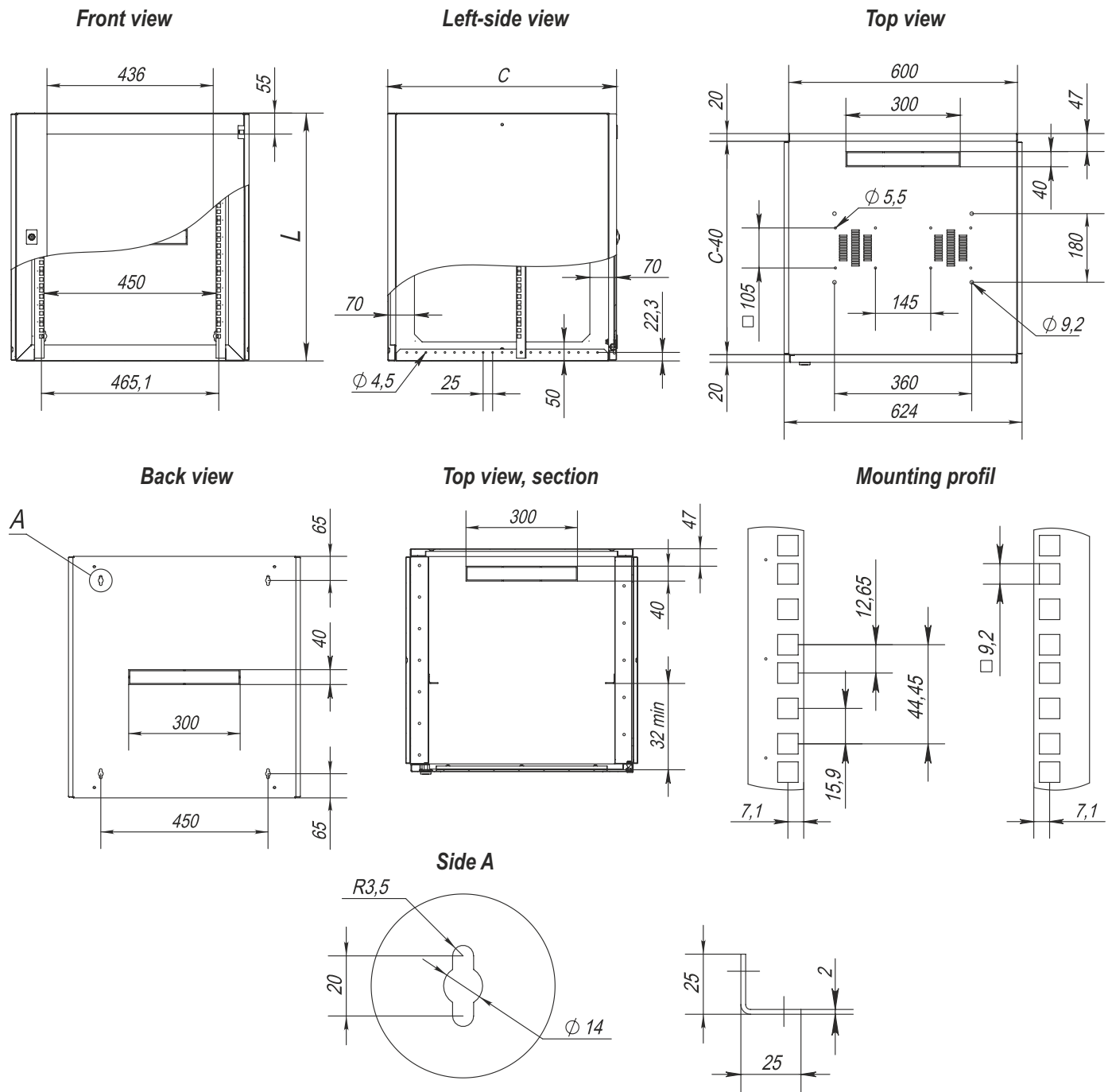


Dimensions (Enclosure)				Dimensions (Mounting plate)		Number (19" Profil)	Montage-Depth, mm	Cable-entry panel		Number (Lock)	Weight, kg	Order No.
Montage-Height, HE	Height L, mm	Width B, mm	Depth C, mm	Height L1, mm	Width B1, mm			Dimensions, mm	Number			
6	350	600	600	285	535	2	540	Ø28	3	2	27	X-CC6U66
9	500	600	600	435	535	2	540	Ø28	3	2	34	X-CC9U66
12	650	600	600	585	535	2	540	Ø28	3	2	40	X-CC12U66
15	750	600	600	685	535	2	540	Ø28	3	2	46	X-CC15U66
18	850	600	600	785	535	2	540	Ø28	3	2	50	X-CC18U66



Montage-Height, HE	Dimensions (Enclosure)			Cable-entry panel		Number (19" Profil)	Weight, kg	Order No.	
	Height L, mm	Width B, mm	Depth C, mm	Dimensions, mm	Number				
4	250	600	400	40x300	3	2	16	X-IP4U64	XS-IP4U64
6	350	600	400	40x300	3	2	18	X-IP6U64	XS-IP6U64
6	350	600	600	40x300	3	2	24	X-IP6U66	XS-IP6U66
9	500	600	400	40x300	3	2	21	X-IP9U64	XS-IP9U64
9	500	600	600	40x300	3	2	26	X-IP9U66	XS-IP9U66
12	650	600	400	40x300	3	2	27	X-IP12U64	XS-IP12U64
12	650	600	600	40x300	3	2	30	X-IP12U66	XS-IP12U66
15	800	600	400	40x300	3	2	26	X-IP15U64	XS-IP15U64
15	800	600	600	40x300	3	2	33	X-IP15U66	XS-IP15U66
18	950	600	400	40x300	3	2	29	X-IP18U64	XS-IP18U64
18	950	600	600	40x300	3	2	36	X-IP18U66	XS-IP18U66





Dimensions (Enclosure)				Cable-entry panel		Number (19" Profil)	Weight, kg	Order No.
Montage-Height, HE	Height L, mm	Width B, mm	Depth C, mm	Dimensions, mm	Number			
4	250	625	400	40x300	3	2	16	X-IQ4U64
6	350	625	400	40x300	3	2	18	X-IQ6U64
6	350	625	600	40x300	3	2	25	X-IQ6U66
9	500	625	400	40x300	3	2	21	X-IQ9U64
9	500	625	600	40x300	3	2	27	X-IQ9U66
12	650	625	400	40x300	3	2	27	X-IQ12U64
12	650	625	600	40x300	3	2	31	X-IQ12U66
15	750	625	400	40x300	3	2	27	X-IQ15U64
15	750	625	600	40x300	3	2	34	X-IQ15U66
18	850	625	400	40x300	3	2	30	X-IQ18U64
18	850	625	600	40x300	3	2	37	X-IQ18U66



## Transport and installation

### Surface protection ( according to EN ISO 9227:2006)

**Standard protection** (the test in salt fog, 240 hours)

**Double processing of a surface** - phosphatation, powder coloring - provides anticorrosive protection of a surface



*Standard processing of a surface is steady to: mineral oils, lubricants, weak acid and alkaline solutions.*

Process	Technical characteristics
Degreasing	Chemical composition at 65°C
Phosphatation	Phosphatation with iron salts
Washing	Washing with water
Blowing	Removal of liquid from hard-to-reach spots
Drying	Drying in the furnace at 110°C
Coloring	Powder coloring
Polymerization	Polymerization in the furnace at 200°C

### Repaint of surfaces

After cleaning, the surface can be recoloured automobile, aqueous emulsion ink

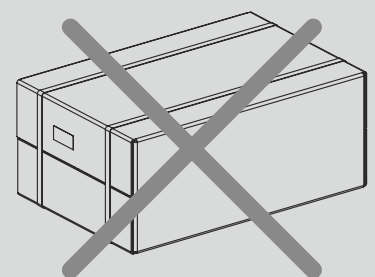
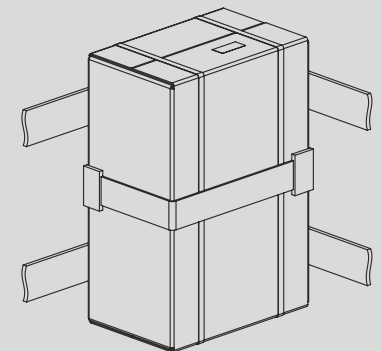
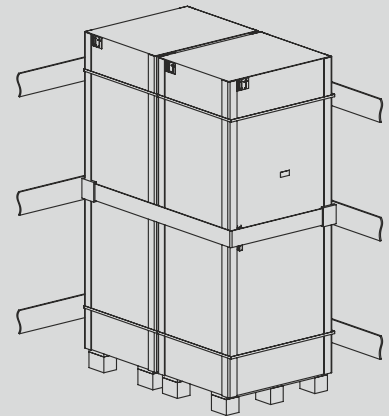
### Grounding

Enclosures and removable parts are adapted for grounding. Connections have to will be executed with observance of instructions

### Protection degree IK according to EN 50 102

IK	Impact energy, J
00	No protection
01	0,15 J
02	0,2 J
03	0,35 J
04	0,5 J
05	0,7 J
06	1 J
07	2 J
08	5 J
09	10 J
10	20 J

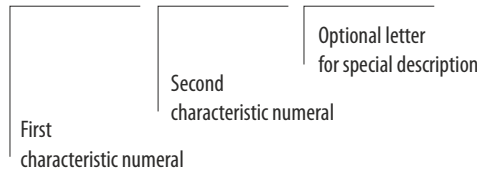
### Transport and installation





# Protection degree IP according to EN 60 529 / IEC 529

Coding **IP 5 5 X**



First code number	Protection against contact and foreign bodies		Second code number	Protection against water	
	Description	Explanation		Description	Explanation
<b>0</b>	No protection	No protection	<b>0</b>	No protection	No protection
<b>1</b>	Protected against solid foreign objects with a diameter of 50 mm and greater	The object probe, a sphere 50 mm in diameter, must not penetrate fully	<b>1</b>	Protected against vertically falling water drops	Vertically falling drops shall have no harmful effects.
<b>2</b>	Protected against solid foreign objects with a diameter of 12.5 mm and greater	The object probe, a sphere 12.5 mm in diameter, must not penetrate fully. The articulated test finger may penetrate up to its length of 80 mm, but adequate distance must be adhered to.	<b>2</b>	Protected against vertically falling water drops when the enclosure is tilted up to 15°	Vertically falling drops must not have any harmful effects when the enclosure is tilted up to 15° on either side of the vertical.
<b>3</b>	Protected against solid foreign objects with a diameter of 2.5 mm and greater	The object probe, a sphere 2.5 mm in diameter, must not penetrate at all	<b>3</b>	Protected against spraying water	Water sprayed at an angle of up to 60° on either side of the vertical shall have no harmful effects.
<b>4</b>	Protected against solid foreign objects with a diameter of 1.0 mm and greater	The object probe, a sphere 1.0 mm in diameter, must not penetrate at all	<b>4</b>	Protected against splashing water	Water splashed on the enclosure from any direction shall have no harmful effects.
<b>5</b>	Dust-protected	The ingress of dust is not fully prevented, but dust may not enter to such an extent as to impair satisfactory operation of the device or safety	<b>5</b>	Protected against water jets	Water directed at the enclosure from any direction in a jet shall have no harmful effects
<b>6</b>	Dust-tight	No ingress of dust at a partial vacuum of 20 mbar inside the enclosure	<b>6</b>	Protected against powerful water jets	Water directed at the enclosure from every direction in a powerful jet shall have no harmful effects..
			<b>7</b>	Protected against the effects of temporary immersion in water	Water must not ingress to such an extent as to cause harmful effects when the enclosure is temporarily immersed in water under standardised pressure and time conditions.
			<b>8</b>	Protected against the effects of continuous immersion in water	Ingress of water in quantities causing harmful effects shall not be possible when the enclosure is continuously immersed in water under conditions to be agreed between the manufacturer and the user. However, the conditions must be more difficult than for characteristic numeral 7.



[www.zavodkub.com](http://www.zavodkub.com)

